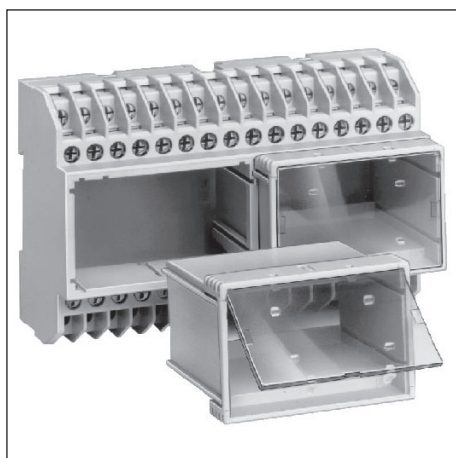
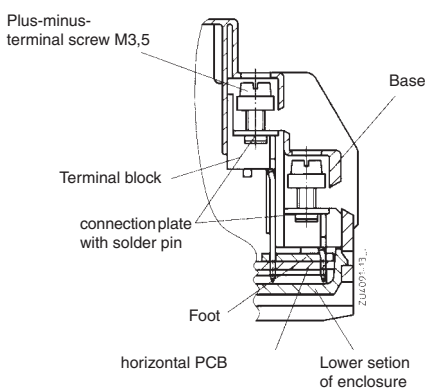


Insulated Enclosure KU 4061

to DIN 43 880 for installation in distribution cabinets or surface mounting,
with plug-in relay-module-carrier



- Width 140 mm
- Ideal for building-in of BUS compatible equipment
- Plug-in carriers for Field-BUS specific control modules, providing an excellent compatibility with the field-bus system
- Quick change-over of carriers
- With 64 plus-minus-terminal screws
- Will take one PCB on the base and two PCBs in the carriers
- Machine solderable connctions
- Housing supplied as single parts, terminals prefitted in terminal blocks



Flat terminal for horizontal PCB

Technical Data

Order reference: KU 4061.0043704 standard version:
Plate clear

Outer dimensions: 140 x 90 x 74.5 mm

Enclosure material: PC-GF, light grey RAL 7035
Enclosure: PC clear
Plate: PC clear

Temperature stability	Enclosure: PC-GF	Plate: PC clear
complying with UL 746 B:	125 °C	115 °C
complying with Vicat ISO 306		
Meth. B:	148 °C	145 °C
complying with ISO 75-2 Meth. A:	138 °C	126 °C
Meth. B:	144 °C	136 °C

Max. permitted power dissipation: 20 W for stand-alone enclosure
at normal climate 23/50-1 ISO 554

Specific thermal resistance: $R_{th} = 4 \text{ K / W}$ or stand-alone enclosure

Flame retardancy	V-0	V-2
complying with UL 94:		
complying with IEC 60 707	BH 2-30	BH 2-30

Number fo terminals: 64, < 64 on request
Terminal material: Steel strip, tin-plated
Max. cross section for connection: 2 x 2.5 mm² solid
2 x 1.5 mm² stranded
min. Ø 0.5 mm solid DIN 46 228-1/-2/-3/-4

Insulation length of wire: 10 mm

Max. contact resistance to printed circuit board: 20 mΩ

Max. current carrying capacity: 16 A; 40 A on request

Wire fastening: Captive plus-minus-terminal screws M3.5
with self raising terminal washers.
Complying with IEC 60 999-1

Torque: max. 0.8 Nm

Inner connection: Machine-solderable terminal pins for PCB

Enclosure fastener:
1) Snap-on fastener on top hat rail EN 50 022
2) Screw fixing M4, grid 90 mm
with second clip as accessory

Creepage current resistance:
Enclosure: CTI 175 ≅ insulated material III a IEC 60 664-1
Plate: CTI 250 ≅ insulated material III a IEC 60 664-1

Air gap and creepage distance: ≥ 3.2 mm IEC 60 529
IEC 60 529

Type of protection
Enclosure: IP 40
Terminals: with terminal screws: IP 20
without terminal block: IP 20
with terminal block: IP 30
with terminal block and Blanking plug
KU 4089-3-4: IP 40
with Blanking plug KU 4087-0-2: IP 50
Contact protection complying with VGB 4

Print area: 140 x 42 mm

Printed circuit board: See printed circuit board design

Printed circuit board holder: Guide ribs in base

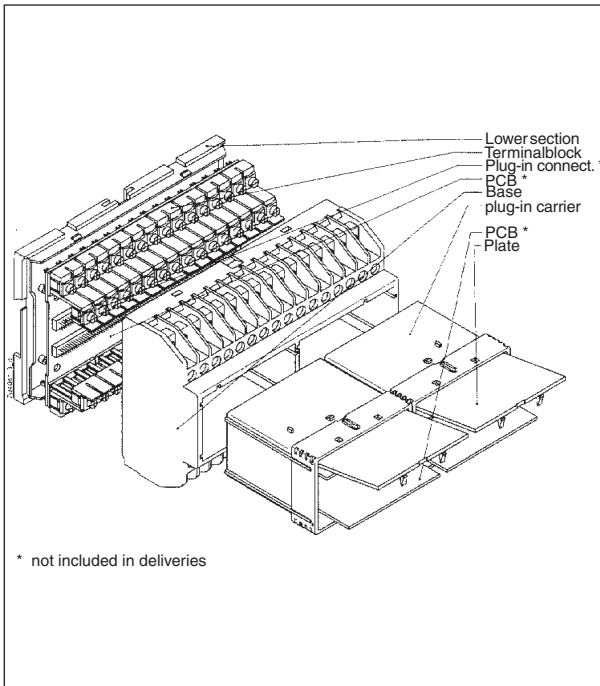
Printed circuit boards in module-carriers:
On component side: ≤ 21 mm
On soldering side: ≤ 4 mm

Net weight: 320 g

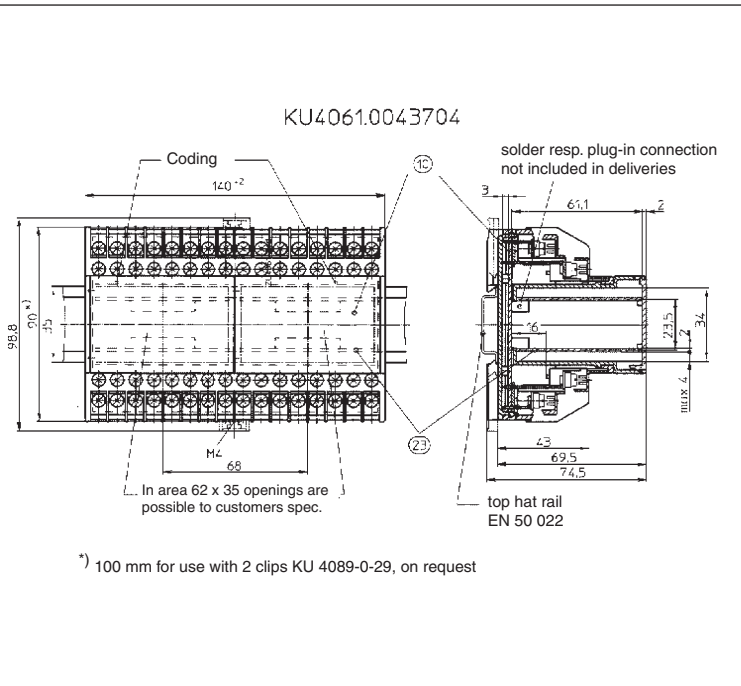
Accessories:
ET 4086-0-2: Second clip for screw fixing
KU 4089-3-4: Blanking plug for terminal block
KU 4087-0-2: Blanking plug for Enclosure base
KU 4089-3-1: Dummy terminal block for vertical PCB
KU 4089-3-3: Double foot, for KU 4089-3-1 necessary,
2 pieces KU 4089-3-1 mounted on double foot
KU 4089-3-3.1: Foot, for KU 4089-3-1 necessary,
1 piece KU 4089-3-1 mounted on foot

Special version on request:
- with ventilation slots
- Plate grey

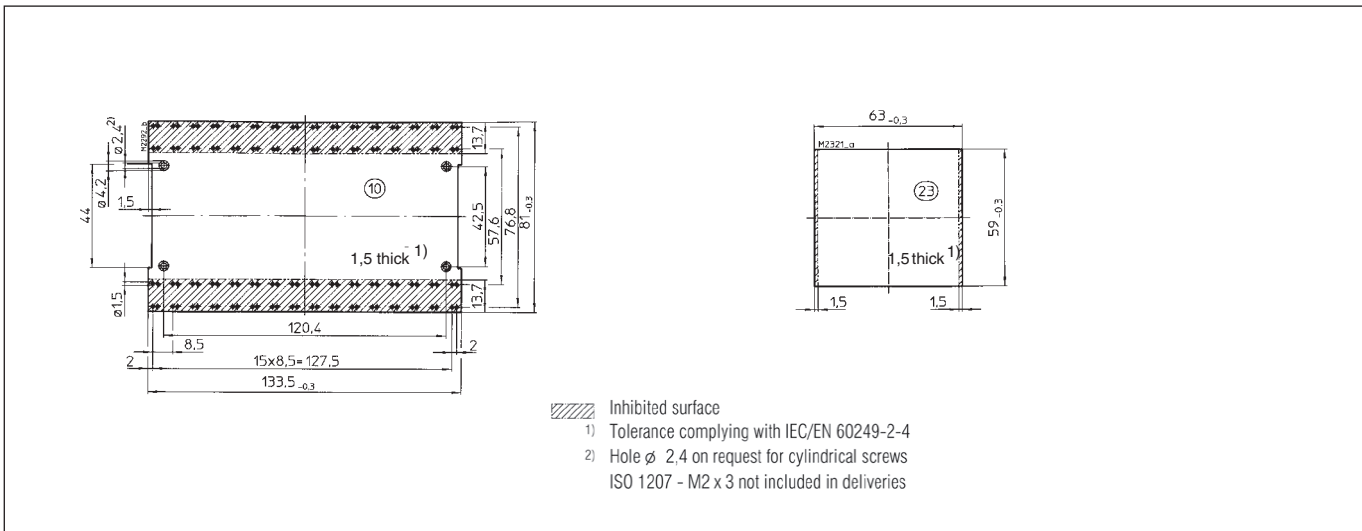
Exploded view



Dimensions



Printed circuit board design



Accessories

