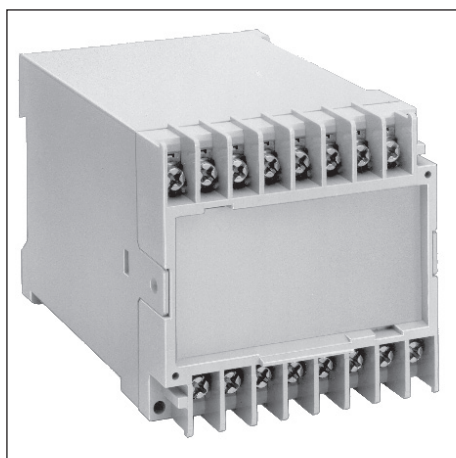
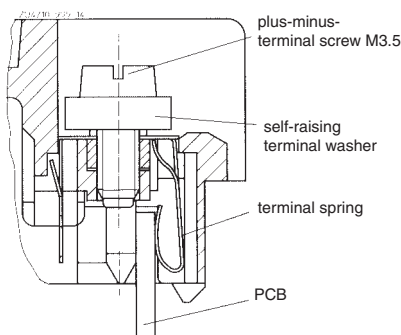


Insulated Enclosure K70/075B

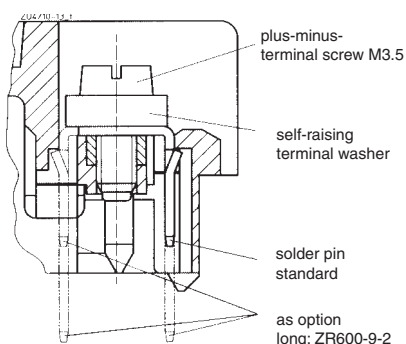
with flat terminals
for plug-in technology



- Width 75 mm
- Max. 16 plus-minus-terminal screws with self raising terminal washers
- PCBs are easy to install because of guiding ribs
- Terminal cover for contact protection complies with VBG 4 as option
- Changeable front plate as option



Flat terminal for plug-in technology



Flat terminal for soldered connection on request

Technical Data

Order reference: K70/075B 112-16

Outer dimensions: 75 x 74 x 112 mm
with cover: 75 x 78 x 112 mm

Enclosure material: PC-GF light grey RAL 7035
(other colour on request))

Temperature stability:	PC
complying with UL 746 B:	125 °C
complying with Vicat	
ISO 306	Meth. B: 148 °C
complying with ISO 75-2	Meth. A: 138 °C
	Meth. B: 144 °C

Max. permitted power dissipation: at normal climate 23 / 50-1 ISO 554

Enclosure gap	max. power dissipation P_v
0 ... ∞ mm	20 W

Flame retardancy
complying with UL 94: V-0
complying with IEC 60707: BH 2-30

Number of terminals: 16, < 16 on request

Terminal material: CuSn6, fire tin-plated

Max. cross section for connection: 2 x 2,5 mm² solid or
2 x 1,5 mm² stranded ferruled DIN 46228-1/-2/-3/-4

Insulation of wires length: 10 mm

Max. contact resistance to printed circuit board: 10 mΩ
Max. current carrying capacity: 10 A } $\cong 1 \text{ W / terminal (Power dissipation)}$

Wire fastening: Plus-minus-terminal screws M3,5, with self-raising terminal washers or faston connector on request

Torque: max. 0.8 Nm

Inner connection: Direct plugging of printed circuit board (numbered inside) or soldered connection for sleeve B 2.8 complying with DIN 46247-1

Enclosure fastener:
1) Snap-on fastener on top hat rail EN 60715
2) Screw fixing
2.1) Distance between M4-screws 35 x 50
2.2) Distance between M5-screws 35 x 60

Creepage current resistance: CTI 175 \cong insulating material III a IEC 60664-1

Air gap and creepage distance: $\geq 4.0 \text{ mm}$ IEC 60664-1

Type of protection IP 40 IEC 60529

Enclosure: IP 10 (with terminal cover IP 20 and contact protection complies with VBG 4)

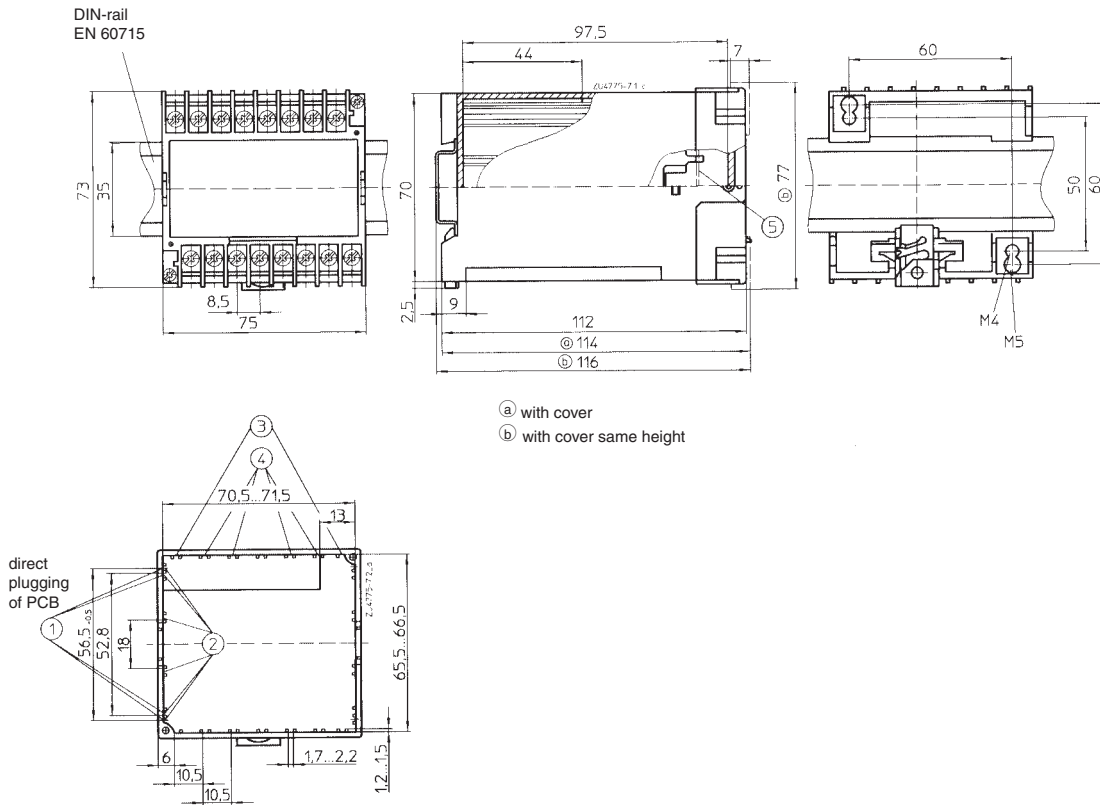
Print area: 68 x 36 mm

Printed circuit board: see printed circuit design
1) * - 62.5 cm²
2) * - 62.5 cm²
3) * - 63 cm²
4) * - 53.5 cm²
5) * - 30.3 cm²
* see drawing on the back

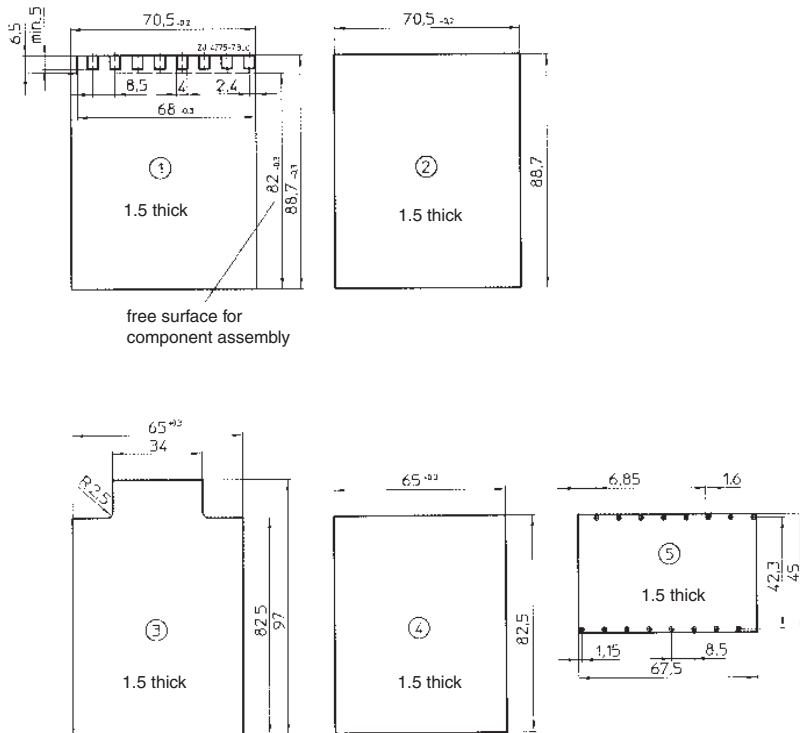
Printed circuit board holder: Guide ribs on all sides

Accessories:
K70/75-0-3: Terminal cover

Dimensions



Printed circuit board design



Accessories

