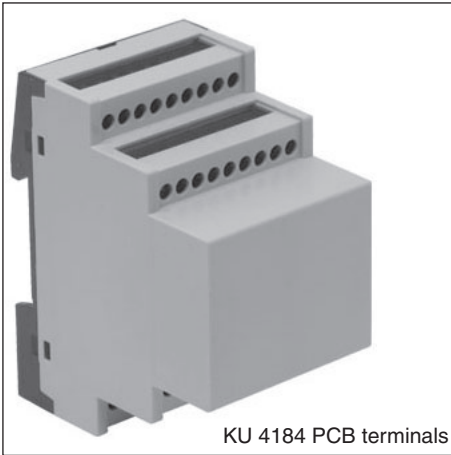


Insulated Enclosures KU 4184

to DIN 43 880 for installation in distribution cabinets
70 mm depth



KU 4184 PCB terminals

- Module widths 52.5 mm
- Nominal depth 64 mm for overall panel depth maximum 70 mm to DIN 43 880
- Selectable enclosure configurations
 - without terminals
 - with plug-in terminals
 - with printed circuit board terminals
 - with box terminals
 - with various terminal combinations
- Suitable for application for up to two PCBs with terminals and additional PCB for display or control elements on the enclosure front
- Enclosure openings for connection terminals and control elements on request
- Base plates available with side walls for mounting of PCB assemblies

Technical Data

Order reference:
 Closed: 0061101
 Plug in terminal: 0060119
 PCB terminal: 0060118

External dimensions: 52.5 x 90 x 71

Enclosure material: PC - GF, light grey RAL 7035
 Base plate: dark black RAL 9005

Temperature stability:	
complying with UL 746 B:	115 °C
complying with to Vicat ISO 306 Meth. B:	145 °C
compl. with EN 75-2 (1,8 MPa):	136 °C
(0,45 MPa):	142 °C

Max. permitted power dissipation: 10 W for stand-alone enclosure at normal climate 23/50-1 ISO 554

Specific thermal resistance: $R_{th} = 6 \text{ K / W}$
 Flame retardancy
 complying with UL 94: V-0
 complying with IEC 60 707: BH 2-30

Enclosure fastener: snap-on fastener on top hat rail EN 60 715

Creepage current resistance: CTI 175 $\hat{=}$ insulated material III a IEC 60 664-1

Type of protection:
 Enclosure: IP 40
 Base plate: IP 30 (connector cut outs IP 20) IEC 60 529

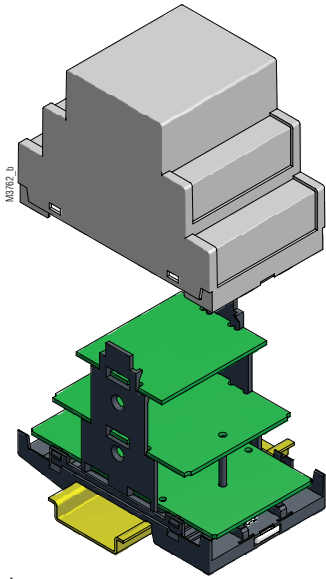
Print area: 50 x 41.5 mm

Print circuit board: See printed circuit board design

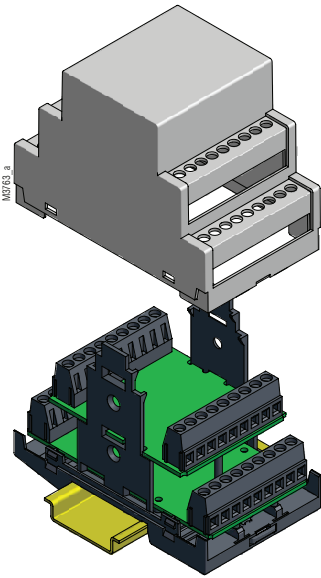
Printed circuit board mounting: fixed to the base by screws and / or by the side walls

**More information
 see brochure G27**

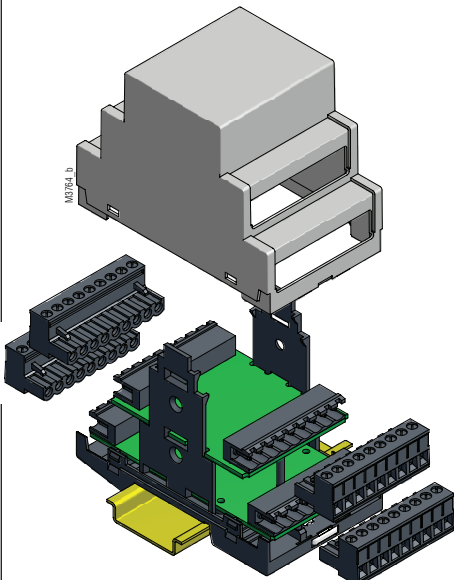
Exploded view



closed

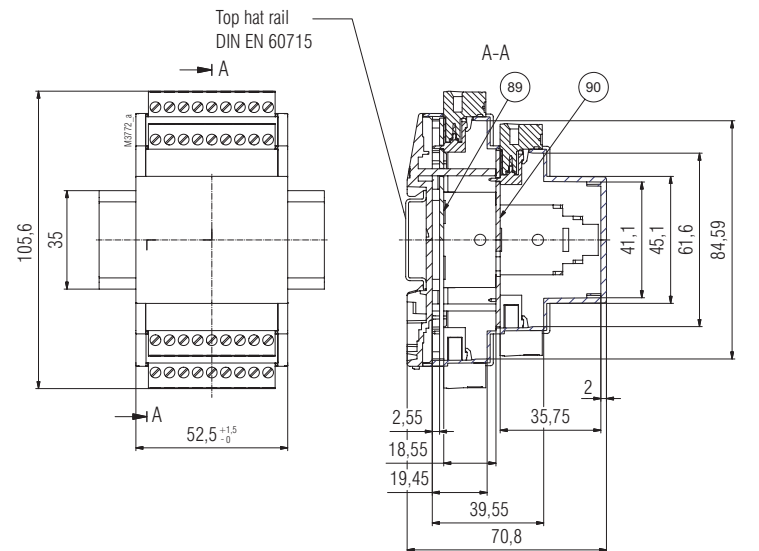
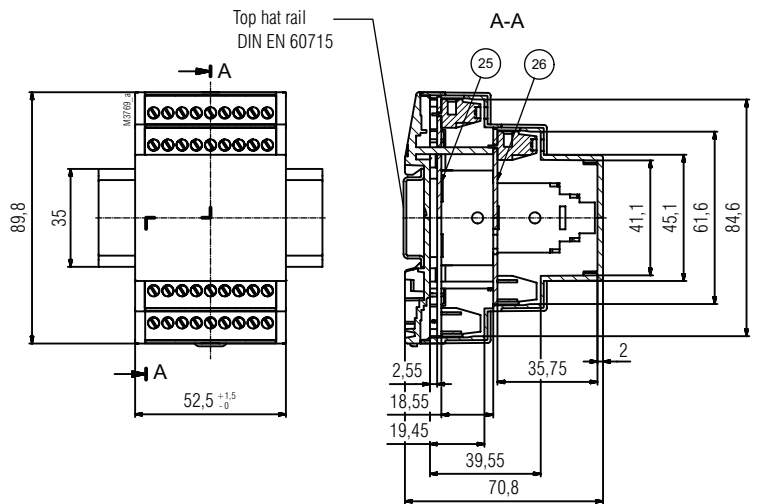
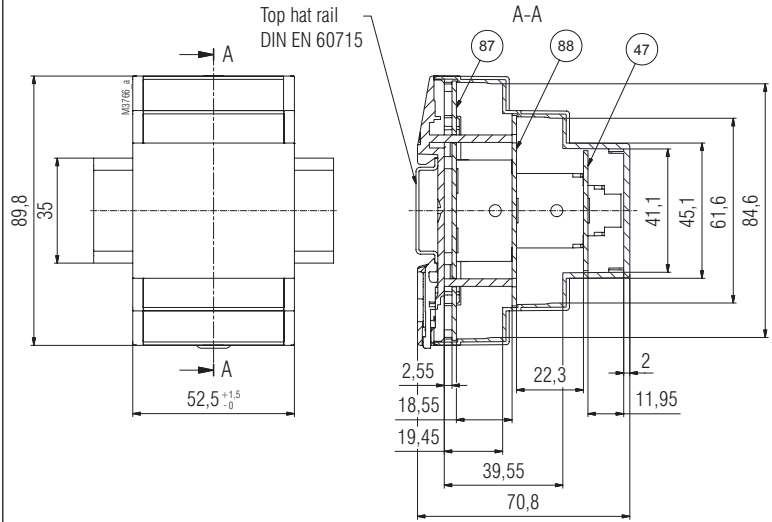


plug in terminals

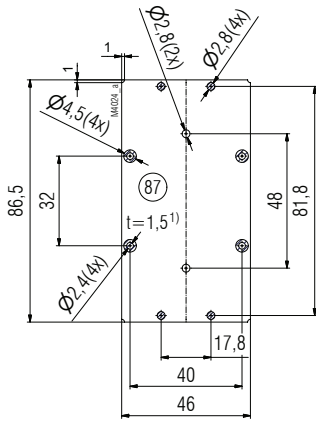


PCB terminals

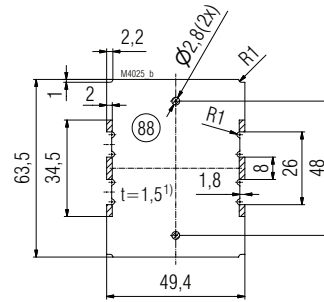
Dimensions



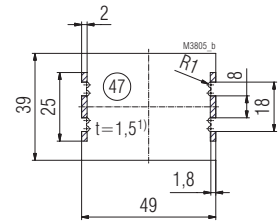
Printed circuit board design



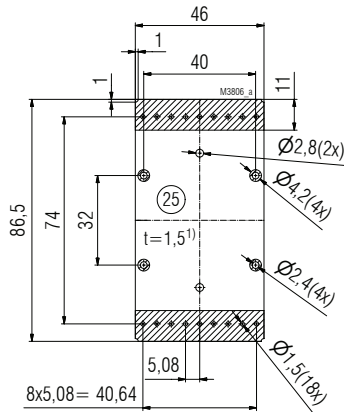
PCB in PCB-position Bottom
for closed res. milled enclosure



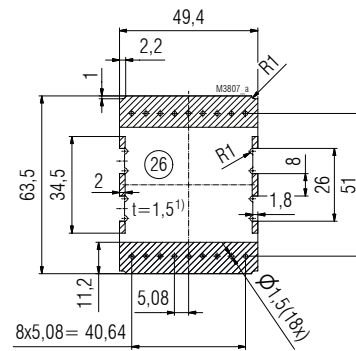
PCB in PCB-position Middle
for closed res. milled enclosure



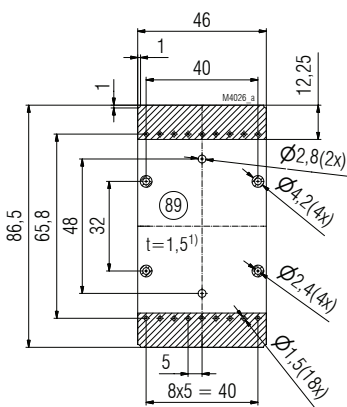
PCB in PCB-position Front
for closed res. milled enclosure



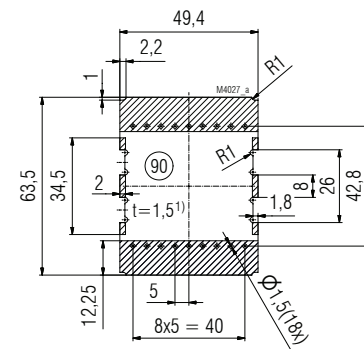
PCB in PCB-position Bottom
for 2 x 9-pole PCB terminals



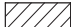
PCB in PCB-position Middle
for 2 x 9-pole PCB terminals



PCB in PCB-position Bottom
for 2 x 9-pole contact tag row
(plug in terminals)



PCB in PCB-position Middle
for 2 x 9-pole contact tag row
(plug in terminals)

 Inhibited surface

1) Tolerance at DIN EN 60 249-2-4

Holes \varnothing 2,4 on request for cylindrical screws ISO 1207 M2x4

General tolerance: PERFAG 2 E

