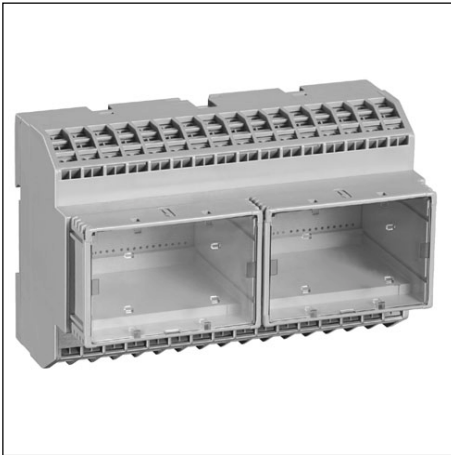
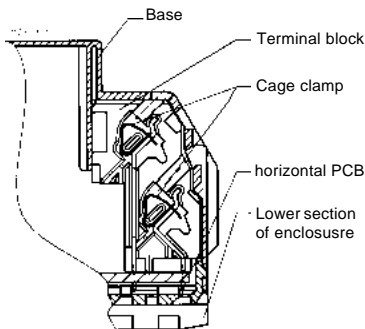


Insulated Enclosure KU 4054

to DIN 43 880 for building-into distribution cabinets or surface mounting,
with plug-in relay-module-carrier with cage clamp terminals



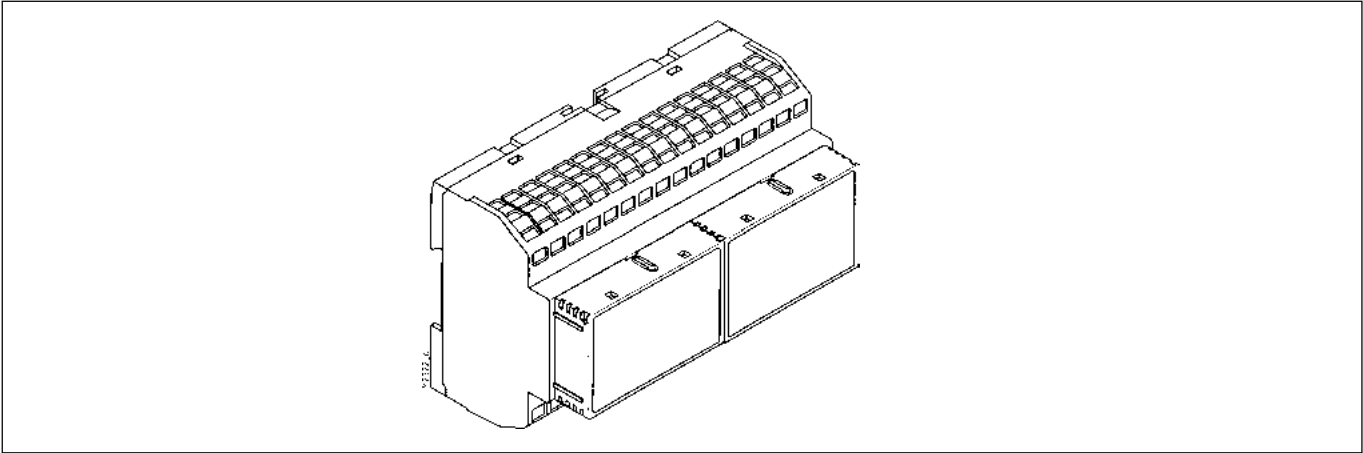
- Width 140 mm
- Ideal for building-in of BUS compatible equipment
- Plug-in carriers for Field-BUS specific control modules, providing an excellent compatibility with the field-bus system
- Max. 64 terminals with each 2 cage clamp terminals
- Will take one PCB on the base and two PCBs in the carriers
- Machine solderable connections
- Housing supplied as single parts, terminals prefitted in terminal blocks



Technical Data

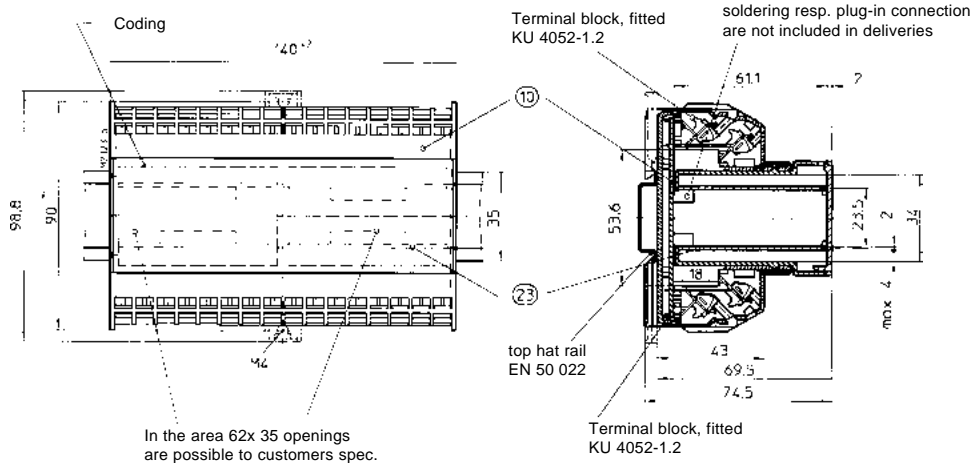
Order reference:	KU 4054.0050328	
Outer dimensions:	140 x 90 x 74,5 mm	
Enclosure material:	PC-GF, light grey RAL 7035, Plate: PC, clear	
Temperature stability:	Enclosure: PC light grey	Plate: PC clear
complying with UL 746 B:	125 °C	115 °C
complying with Vicat ISO 306	Meth. B: 148 °C	145 °C
complying with ISO 75-2	Meth. A: 138 °C	126 °C
	Meth. B: 144 °C	136 °C
Max. permitted power dissipation:	25 W at normal climate 23/50-1	ISO 554
Specific thermal resistance:	$R_{th} = 4 \text{ K / W}$	
Flame retardancy complying with UL 94:	Enclosure: V-0	Plate, clear: V-2
complying with IEC 60 707:	BH 2-30	
Number of terminals:	64, < 64 on request	
Terminal material:	High grade steel / Copper alloy, tin-plated	
Max. cross section for enclosure:	2 x 1,5 mm ² solid or 2 x 1,5 mm ² stranded or 2 x 1 mm ² stranded ferruled min. Ø 0,5 mm solid AWG 24 DIN 46 228-1/-2/-3/-4	
Insulation of wires length:	8 mm	
Max. contact resistance to printed circuit board:	10 mΩ	
Max. current carrying capacity:	10 A	
Wire fastening:	Cage clamps	
Required tool:	Screwdriver ISO 2380-1-B0,5x3	
Inner connection:	Machine-solderable terminal pins for PCB	
Enclosure fastener:	1) Snap-on fastener on top hat rail 2) Screw fixing M4, grid 90 mm with second clip as accessory EN 50 022	
Creepage current resistance		
Enclosure:	CTI 175 ≙ insulated material III a	IEC 60 664-1
Plate:	CTI 250 ≙ insulated material III a	IEC 60 664-1
Air gap and creepage distance:	≥ 4 mm	IEC 60 664-1
Type of protection	IEC 60 529	
Enclosure:	IP 40	
Terminal:	IP 20	
	Contact protection complies with VBG 4	
Print area:	60 x 40 mm on the front and 139 x 8 mm above the terminals	
Printed circuit board:	see printed circuit board design	
Printed circuit board holder:	Guide ribs	
Component installation height for a vertical printed circuit board on component side:	≤ 21 mm	
on soldering side:	≤ 4 mm	
Net weight:	320 g	
Accessories:		
ET 4086-0-2:	Second clip for screw fixing	
Special version:	Plate grey, on request	

Exploded view



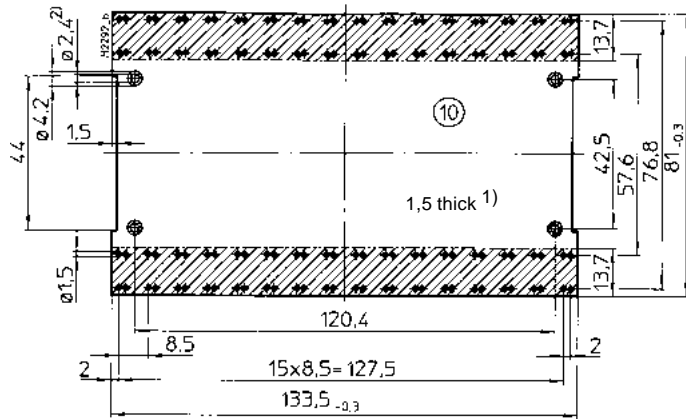
Dimension

KU 4054.0050328



PCBs are not included in deliveries
 1) 100 mm for use with 2 clips KU 4089-0-29, on request

Printed circuit board design



inhibited surface

1) Tolerance complying with IEC 60 249-2-4