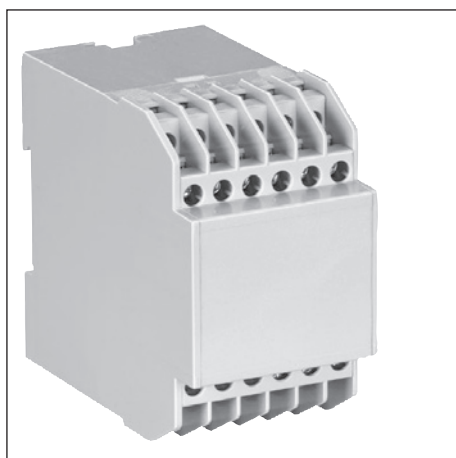
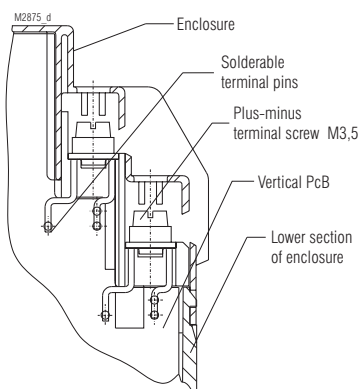


# Insulated Enclosure KO 4905

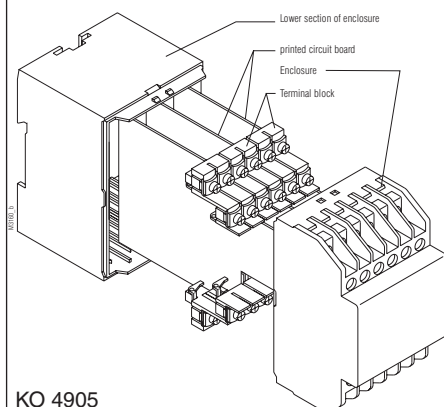
for surface mounting and mounting in cabinets,  
with flat terminals



- Width 52,5 mm
- Max. 24 plus-minus-terminal screws with self-raising terminal washers
- Reliable connection of max. 2 wires even with different diameter
- Terminal blocks can be machine-soldered additional wire soldering is possible
- Housing supplied as single parts, terminals prefitted in terminal blocks



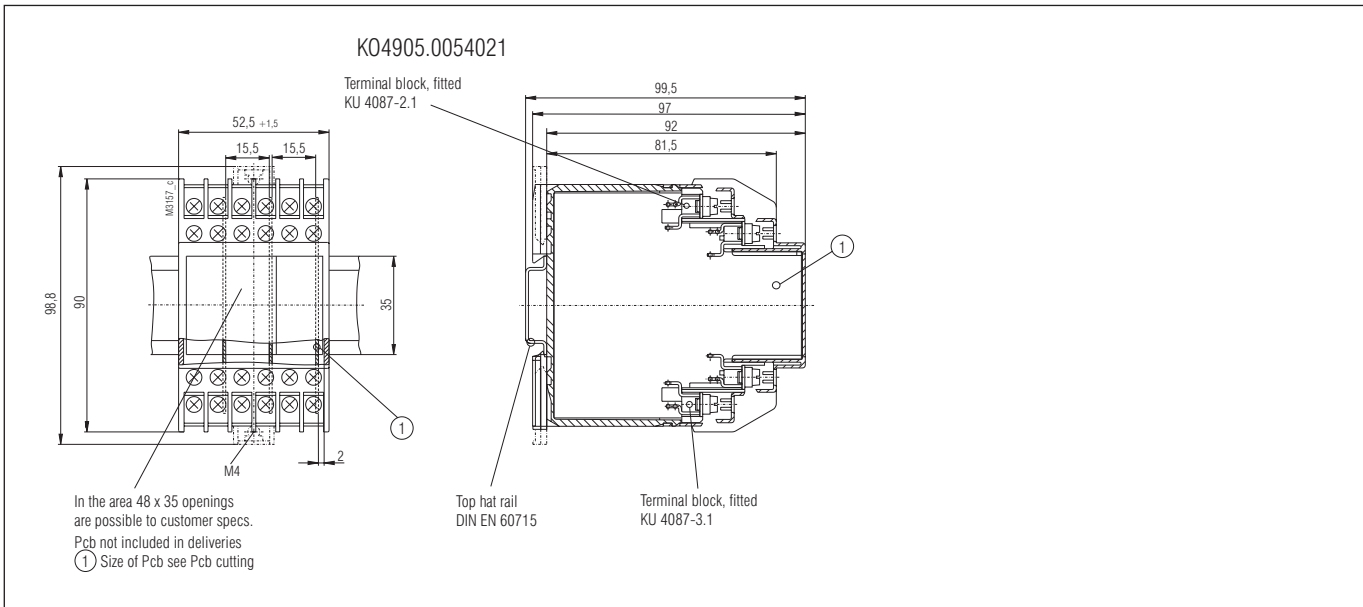
Flat terminals for solder connection



## Technical Data

Order reference:	KO 4905.0054021	
<b>Outer dimensions:</b>	52.5 x 90 x 97 mm	
Enclosure material:	PC-GF, light grey RAL 7035	
Temperature stability:		
complying with UL 746 B:	125 °C	
complying with Vicat		
ISO 306 Meth. B:	148 °C	
compl. with ISO 75-2 Meth. A:	138 °C	
Meth. B:	144 °C	
Max. permitted power dissipation:	11 W for stand-alone enclosure at normal climate 23/50-1	ISO 554
specific thermal resistance:	R <sub>th</sub> = 5 K / W for stand-alone enclosure	
Flame retardancy complying with UL 94:	V-0	
complying with IEC 60 707:	BH 2-30	
<b>Number of terminals:</b>	24, < 24 on request	
Terminal material:	Steel strip, tin-plated	
Max. cross section for connection:	2 x 2.5 mm <sup>2</sup> solid 2 x 1.5 mm <sup>2</sup> stranded ferruled min. Ø 0.1 mm solid	DIN 46 228-1/-2/-3/-4
Insulation of wires length:	9 - 10 mm	
Max. contact resistance to printed circuit board:	20 mΩ	
Max. current carrying capacity:	16 A, 40 A on request	
Wire fastening:	Captive plus-minus-terminal screws M3.5 with self raising terminal washers Function complying with IEC 60 999-1	
Torque:	max. 0.8 Nm	
Inner connection:	Machine-solderable terminal pins for printed circuit board and soldering pin for strands	
<b>Housing fastener:</b>	1) Snap-on fastener on top hat rail EN 50 022 2) Screw fastening M4, grid 90 mm with second clip as accessory	
Creepage current resistance:	CTI 175 ≙ insulated material III a	IEC 60 664-1
<b>Air gap and creepage distances</b>	IEC 60 664-1	
Housing for vertical printed circuit board:	Air gap ≥ 4 mm Creepage distance ≥ 6.3 mm	
Type of protection	IEC 60 529	
Enclosure:	IP 40	
Terminals:	IP 20 Contact protection complies with VBG 4	
Print area:	52.5 x 44 mm	
<b>Printed circuit board:</b>	See Printed circuit board design	
Printed circuit board holder:	Guide ribs	
Component installation height for a vertical printed circuit board		
on component side:	≤ 46 mm	
on soldering side:	≤ 2.0 mm	
Net weight:	175 g	
<b>Accessories:</b>		
ET 4086-0-2:	Second clip for screw fastening	
KU 4087-0-2:	Blanking plug for enclosure base	
KU 4089-3-4:	Blanking plug for terminal block	
KU 4087-1-1:	Dummy terminal block for vertical PCB	

## Dimensions



## Printed circuit board design

