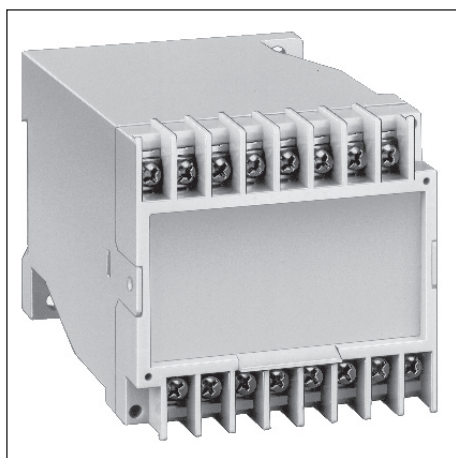
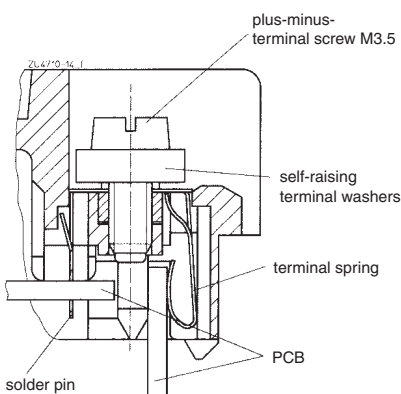


Insulated Enclosure K70/075A

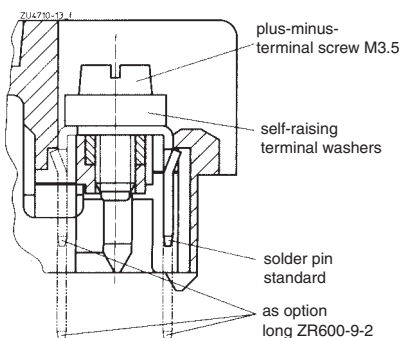
with flat terminals
for plug-in technology



- Width 75 mm
- Max. 16 plus-minus-terminal screws with self raising terminal washers
- PCBs are easy to install because of guiding ribs
- Terminal cover for contact protection complies with VBG 4 as option
- a base section for this enclosure is also available without screw fixing recesses e.g. suitable for DIN-rail mounting only
- Changeable Plate as option



Flat terminal for plug-in technology



Flat terminal for soldered connection on request

Technical Data

Order reference: K70/075A 112-16

Outer dimensions: 75 x 73 x 112 mm
with cover: 75 x 77 x 112 mm

Enclosure material: PC-GF light grey RAL 7035
(other colour on request)

Temperature stability:	PC
complying with UL 746 B:	125 °C
complying with Vicat	
ISO 306 Meth. B:	148 °C
complying with ISO 75-2 Meth. A:	138 °C
Meth. B:	144 °C

Max. permitted power dissipation: at normal climate 23 / 50-1 ISO 554

Enclosure gap	max. power dissipation P_v
0 ... ∞ mm	20 W

Flame retardancy
complying with UL 94: V-0
complying with IEC 60707: BH 2-30

Number of terminals: 16, < 16 on request

Terminal material: CuSn6, fire tin-plated

Max. cross section for connection: 2 x 2.5 mm² solid or
2 x 1.5 mm² stranded ferruled DIN 46228-1/-2/-3/-4

Insulation of wires length: 10 mm

Max. contact resistance to printed circuit board: 10 mΩ }
Max. current carrying capacity: 10 A } ≅ 1 W / terminal (Power dissipation)

Wire fastening: Plus-minus-terminal screws M3.5, with self-raising terminal washers or faston connector on request

Torque: max. 0.8 Nm

Inner connection: Direct plugging of printed circuit board (numbered inside) or soldered connection for sleeve B 2.8 complying with DIN 46247-1

Enclosure fastener:
1) Snap-on fastener on top hat rail EN 60715
2) Screw fixing
2.1) Distance between M4-screws 35 x 50
2.2) Distance between M5-screws 35 x 60

Kriechstromfestigkeit

PC: CTI 175 ≅ insulating material III a IEC 60664-1
PC: CTI 450 ≅ insulating material II IEC 60664-1

Air gap and creepage distance: ≥ 4.0 mm IEC 60664-1

Type of protection IEC 60529

Enclosure: IP 40
Terminal board: IP 10 (with terminal cover IP 20 and contact protection complies with VBG 4)

Print area: 68 x 36 mm

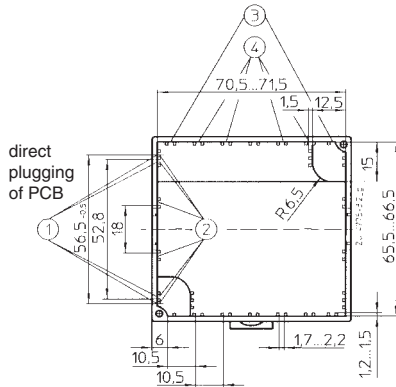
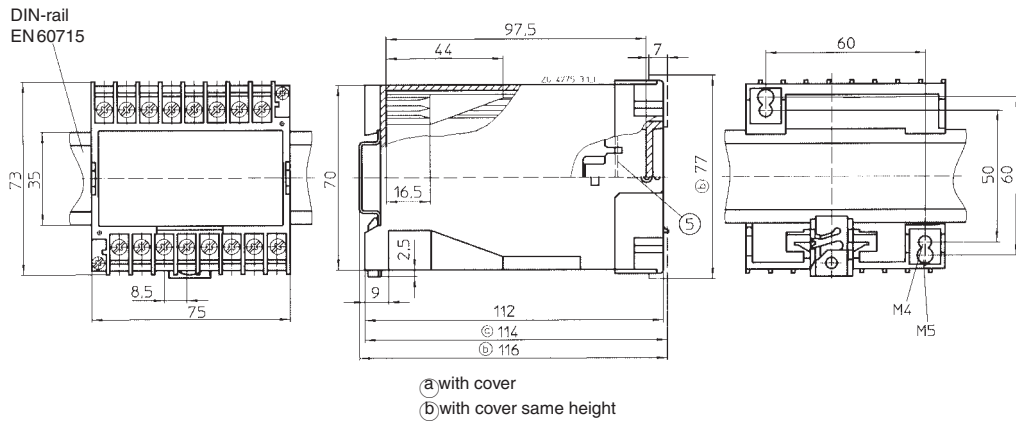
Printed circuit board: see printed circuit design
1) * - 53 cm²
2) * - 58.5 cm²
3) * - 52.5 cm²
4) * - 53.5 cm²
5) * - 30.3 cm²
* see drawing on the back

Printed circuit board holder: Guide ribs on the small side

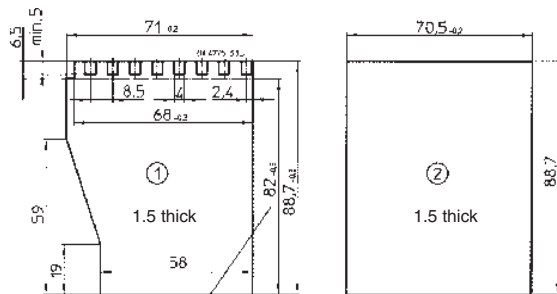
Accessories:

K70/75-0-3: Terminal cover
K70-150-0-48: Blanking plug for part insertion
K70/150-0-69: spacer for PCB coding

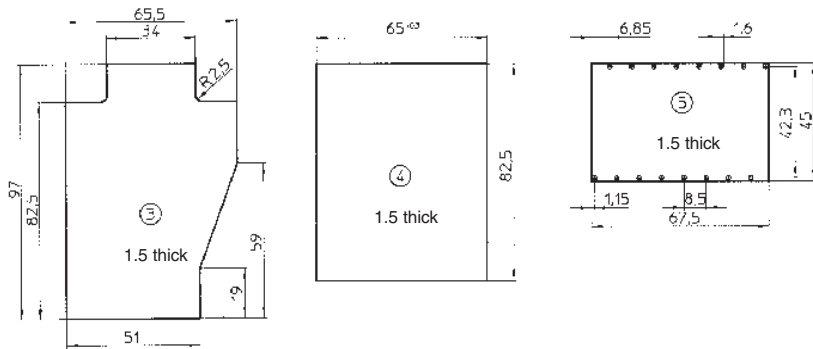
Dimensions



Printed circuit board design



free surface for
component assembly



Accessories

