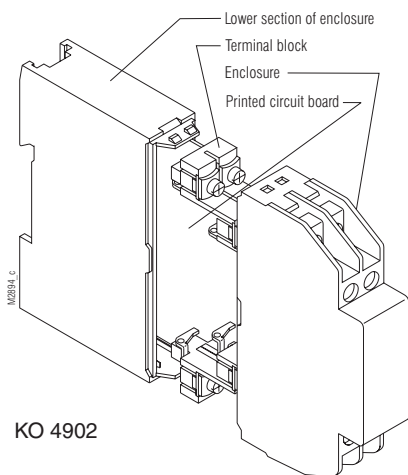
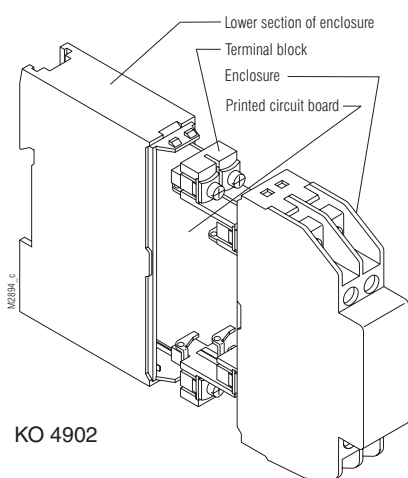


# Insulated Enclosure KO 4902

for surface mounting and mounting in cabinets,  
with flat terminals



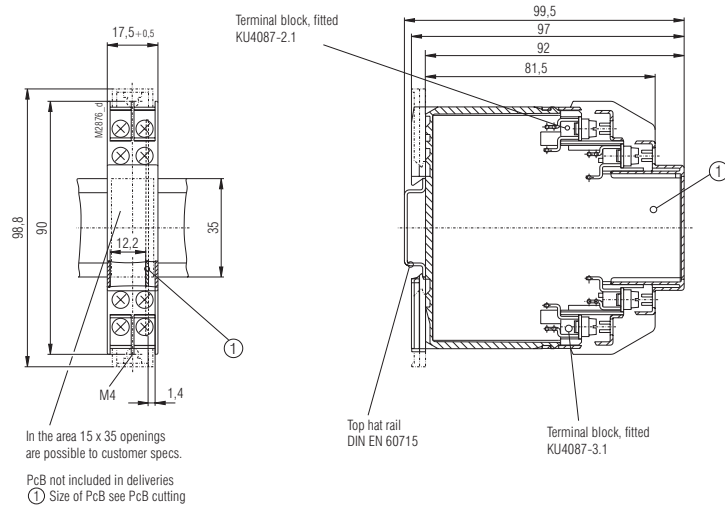
- Width 17.5 mm
- Max. 8 plus-minus terminal screws with self-raising terminal washers
- Reliable connection of max. 2 wires even with different diameter
- Terminal blocks can be machine-soldered additional wire soldering is possible
- Housing supplied as single parts, terminals prefitted in terminal blocks



## Technical data

Order reference:	KO 4902.0049365	
<b>Outer dimensions:</b>	17.5 x 90 x 97 mm	
Enclosure material:	PC-GF, light gray RAL 7035	
Temperature stability:		
complying with UL 746 B:	125 °C	
complying with Vicat		
ISO 306 Meth. B:	148 °C	
compl. with ISO 75-2 Meth. A:	138 °C	
Meth. B:	144 °C	
Max. permitted power dissipation:	5.5 W for stand-alone enclosure at normal climate 23/50-1	ISO 554
Specific thermal resistance:	R <sub>th</sub> = 8 K / W for stand-alone enclosure	
Flame retardancy complying with UL 94:	V-0	
complying with IEC 60 707:	BH 2-30	
<b>Number of terminals:</b>	8, < 8 on request	
Terminal material:	Steel strip, tin-plated	
Max. cross section for connection:	2 x 2.5 mm <sup>2</sup> solid 2 x 1.5 mm <sup>2</sup> stranded ferruled min. ∅ 0,1 mm solid	DIN 46 228-1/-2/-3/-4
Insulation of wires length:	9 - 10 mm	
Max. contact resistance to printed circuit board:	20 mΩ	
Max. current carrying capacity:	16 A, 40 A on request	
Wire fastening:	Captive plus-minus terminal screws (M3.5) with self-raising terminal washers Function complying with IEC 60 999-1	
Torque:	max. 0.8 Nm	
Inner connection:	Machine-solderable terminal pins for printed circuit board and soldering pin for strands	
<b>Enclosure fastener:</b>	1) Snap-on fastener on top hat rail EN 50 022 2) Screw fastening M4, grid 90 mm with second clip as accessory	
Creepage current resistance:	CTI 175 ≅ insulating material III a	IEC 60 664-1
<b>Air gap and creepage distances</b>	IEC 60 664-1	
Enclosure for vertical printed circuit board:	Air gap ≥ 4 mm Creepage distance ≥ 6.3 mm	
Type of protection	IEC 60 529	
Enclosure:	IP 40	
Terminal opening:	IP 20 Contact protection complies with VBG 4	
Print area:	17 x 44 mm	
<b>Printed circuit board:</b>	See Printed circuit board design	
Printed circuit board holder:	Guide ribs	
Component installation height for a vertical printed circuit board		
on component side:	≤ 12.2 mm or 11.6 mm	
on soldering side:	≤ 2.0 mm or 1.4 mm (see Printed circuit board design)	
Net weight:	72 g	
<b>Accessories:</b>		
ET 4086-0-2.1	Second clip for screw fastening	
KU 4089-0-2:	Blanking plug for enclosure base	
KU 4089-3-4	Blanking plug for terminal block	
KU 4087-1-1	Dummy terminal block for vertical PCB	

## Dimension drawings



## Printed circuit board design

