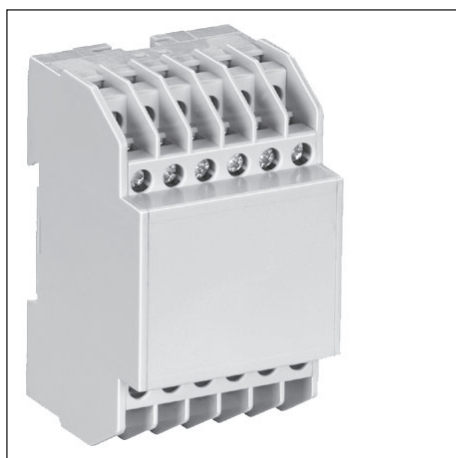
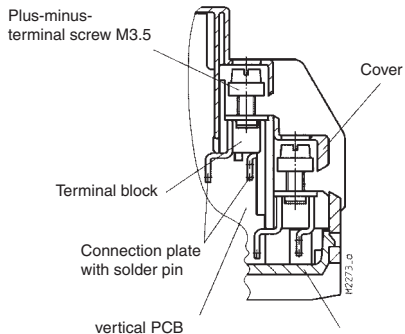


Insulated Enclosure KU 4084

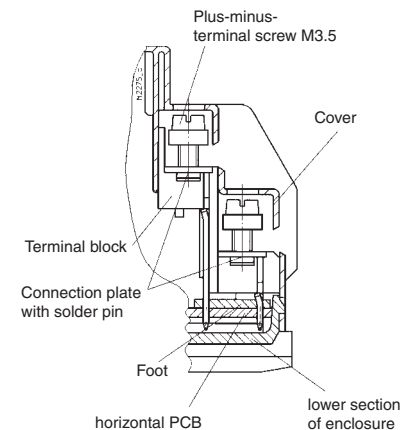
to DIN 43 880 for installation in distribution cabinets or surface mounting



- Width 52.5 mm
- Max. 24 plus-minus-terminal screws with self raising terminal washers.
- Secure termination of max. 2 connection wires of differing cross section
- Machine solderable connection pins, additional wire connection possible
- Housing supplied as single parts, terminals prefitted in terminal blocks



Flat terminals for vertical PCB



Flat terminals for horizontal PCB

Technical Data

Order references

KU 4084.0054355: for vertical PCB
 KU 4084.0053940: for horizontal PCB

Outer dimensions: 52.5 x 90 x 58 mm

Enclosure material: PC - GF, light grey RAL 7035

Temperature stability	
complying with UL 746 B:	125 °C
complying with Vicat ISO 306	Meth. B: 148 °C
complying with ISO 75-2	Meth. A: 138 °C
	Meth. B: 144 °C

Max. permitted power dissipation: 3 W at normal climate 23/50-1 ISO 554

Specific thermal resistance: $R_{th} = 10 \text{ K/W}$ for stand-alone enclosure

Flame retardancy
 complying with UL 94: V-0
 complying with IEC 60 707: BH 2-30

Number of terminals: 24, < 24 on request

Terminal material: Steel strip, tin-plated

Max. cross section for connection: each 2 x 2.5 mm² solid
 each 2 x 1.5 mm² stranded DIN 46 228-1/-2/-3/-4

Insulation of wires length: 10 mm

Max. contact resistance to printed circuit board: 20 mΩ

Max. current carrying capacity: 16 A

Wire fastening: Captive plus-minus-terminal screws M3.5 with self raising terminal washers.
 Function complying with IEC 60 999-1

Torque: max. 0.8 Nm

Inner connection: Machine solderable connection pin for PCB and soldering lug for stranded

Enclosure fastener:
 1) Snap-on fastener on top hat rail EN 50 022
 2) Screw fixing M4, grid 90 mm with additional clip as accessory

Creepage current resistance CTI 175 \approx Isolierstoff III a IEC 60 664-1

Air gap and creepage distances IEC 60 664-1

Vertical PCB: Air gap distance: $\geq 4.0 \text{ mm}$
 Creepage distance: $\geq 6.3 \text{ mm}$
 Horizontal PCB: $\geq 3.2 \text{ mm}$

Type of protection

Enclosure: IP 40 IEC 60 529
 Terminals: IP 20 IEC 60 529
 Contact protection complies with VBG 4

Print area: 68 x 42 mm

Printed circuit board: See printed circuit board design

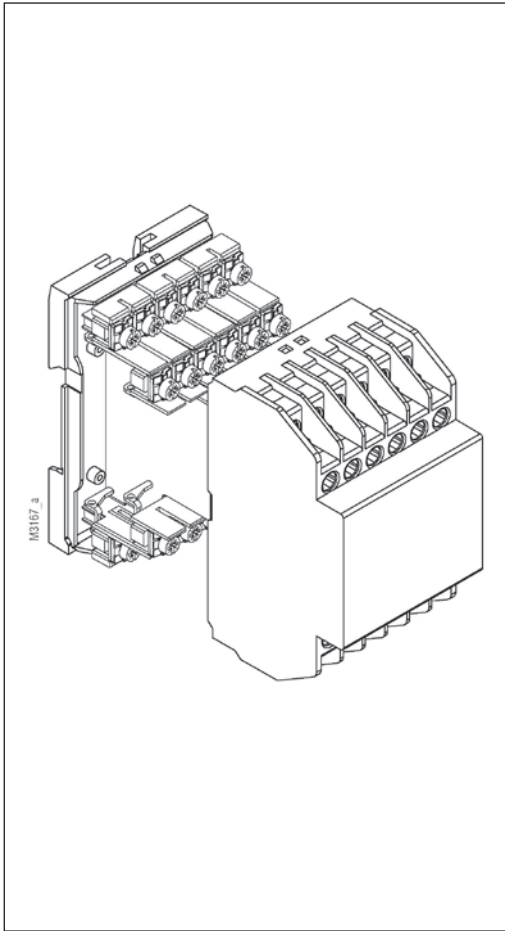
Printed circuit board holder: Guide ribs

Net weight: 120 g

Accessories:

ET 4086-0-2: Second clip for screw fixing
 KU 4089-3-4: Blanking plug for terminal block
 KU 4087-0-2: Blanking plug for Enclosure base
 KU 4087-2-1: Dummy terminal block for vertical PCB
 KU 4089-3-1: Dummy terminal block for horizontal PCB
 KU 4089-3-3: Double foot, for KU 4089-3-1 necessary, 2 pieces KU 4089-3-1 mounted on double foot
 KU 4089-3-3.1: Foot, for KU 4089-3-1 necessary, 1 piece KU 4089-3-1 mounted on foot

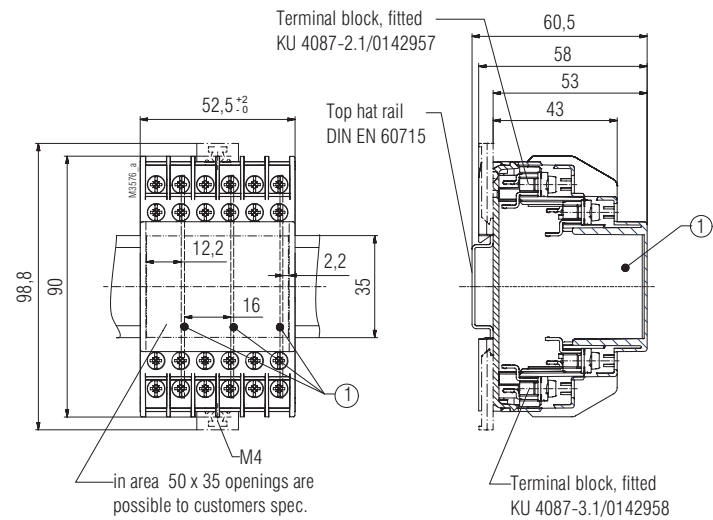
Exploded view



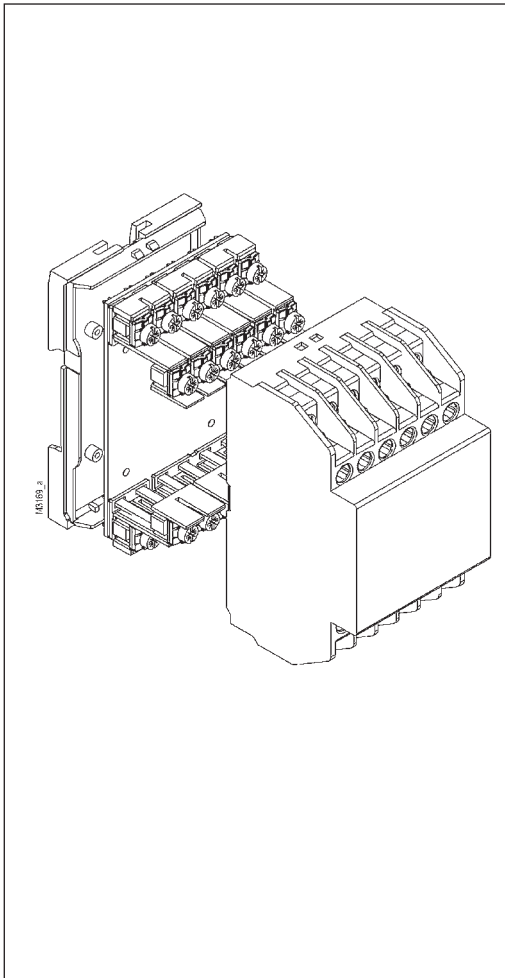
Dimensions Enclosure for vertical PCB

PCBs not included in deliveries

KU 4084.0054355



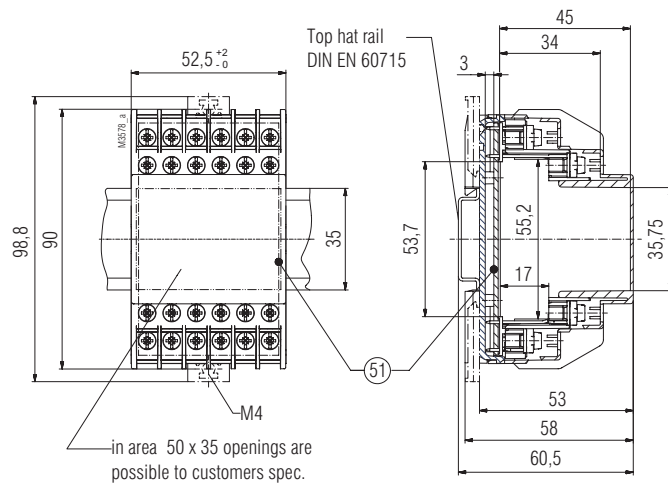
Exploded view



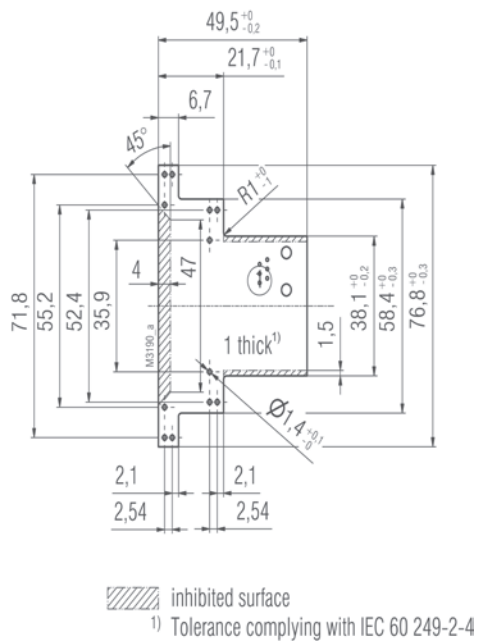
Dimensions Enclosure for horizontal PCB

PCBs not included in deliveries

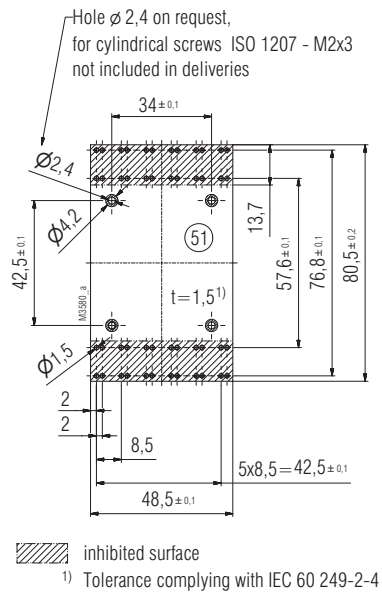
KU 4084.0053940



Printed circuit board design



View from component side



Accessories

