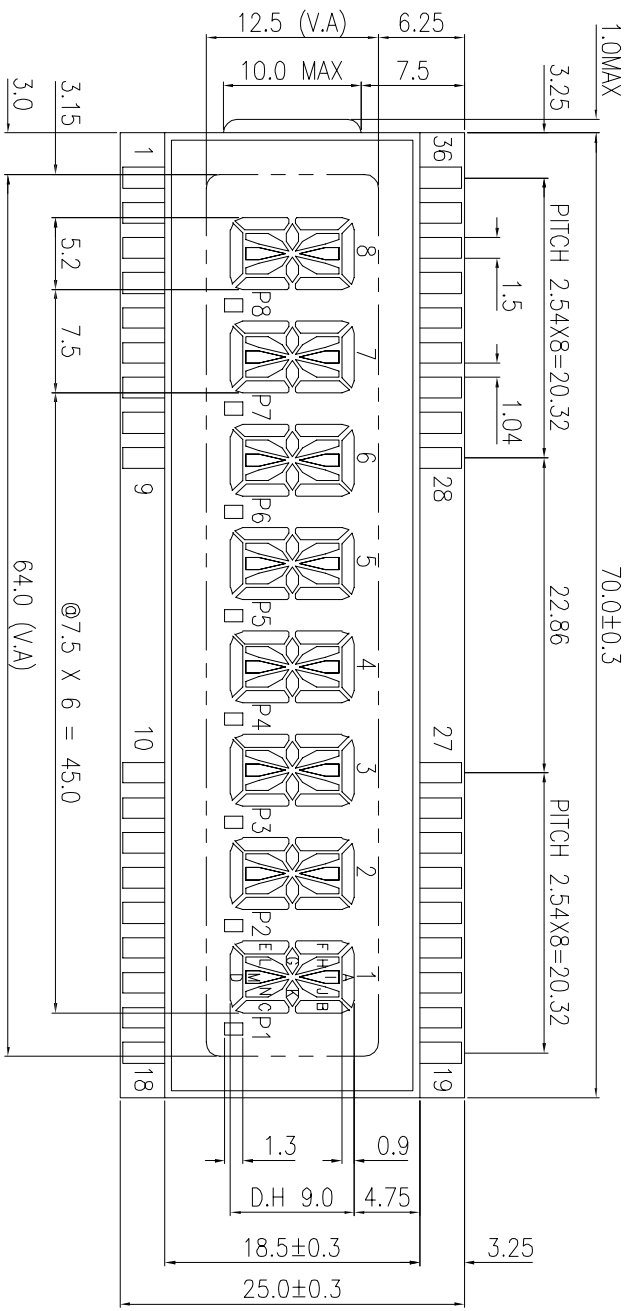


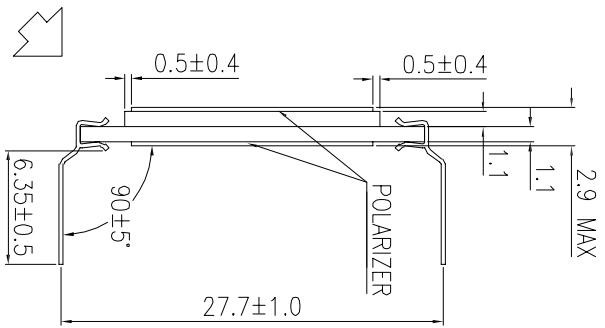
The information disclosed herein was originated by and is the property of Denstron Technologies. Denstron Technologies reserves all patent, proprietary, design/use, sale, manufacturing and reproduction rights thereto.

REVISIONS		DATE	APPROVED
REV. A	DESCRIPTIONS Released on Ecn# E1869	03/28/05	RM



COM1	1	2	3	4	5	6	7	8	9	10	11	12	13	14	15	16	17	18	
COM2		8I	8J	7F	7J	6F	6J	5F	5J	4F	4J	3F	3J	2F	2J	1F	1J		
COM3		8E	8K	7E	7K	6E	6K	5E	5K	4E	4K	3E	3K	2E	2K	1E	1K	COM3	
COM4		8D	8N	7D	7N	6D	6N	5D	5N	4D	4N	3D	3N	2D	2N	1D	1N		
COM1		19	20	21	22	23	24	25	26	27	28	29	30	31	32	33	34	35	36
COM2		1B	1G	2B	2G	3B	3G	4B	4G	5B	5G	6B	6G	7B	7G	8B	8G	COM2	
COM3		1C	1L	2C	2L	3C	3L	4C	4L	5C	5L	6C	6L	7C	7L	8C	8L		
COM4		P1	1M	P2	2M	P3	3M	P4	4M	P5	5M	P6	6M	P7	7M	P8	8M		

- NOTE:
1. TN TYPE
 2. DRIVING METHOD: 1/4 DUTY, 1/3 BIAS.
 3. OPERATING VOLTAGE: 3.0 VOP
 4. OPERATING TEMP: 0° ~ 50°C
 5. STORAGE TEMP: -20° ~ 60°C
 6. VIEWING DIRECTION: 6:00
 7. POLARIZER MODE: TRANSPARENT POSITIVE
 8. CONNECTION: PIN TYPE



UNLESS OTHERWISE SPECIFIED DIMENSIONS ARE mm, TOLERANCES ARE:		APPROVALS		DATE		TITLE		DENSITRON TECHNOLOGIES PLC.	
X = ± 3		DRAWN:					Custom LCD Module		
.X = ± 0.5		CHECKED:							
.XX = ± 0.05		ISSUED:							
							DG-4170	CAGE CODE #DWS52	SHEET 1 OF 1