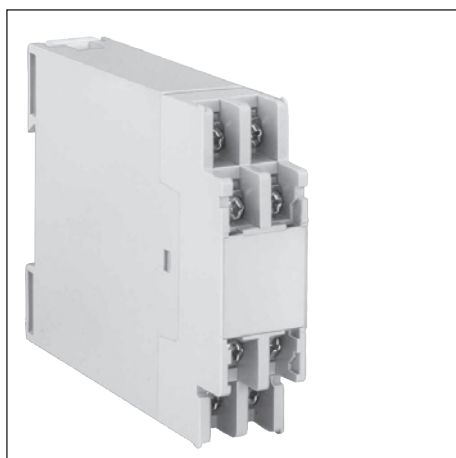
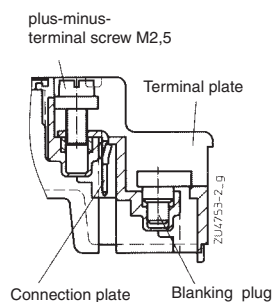


Insulated Enclosure KO 4753

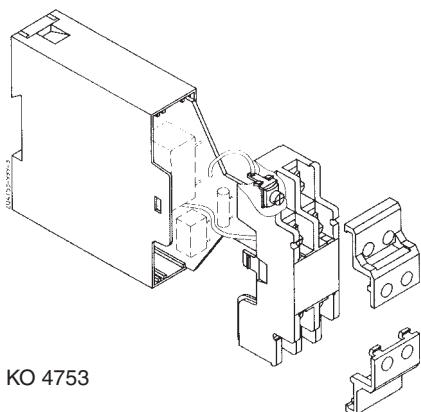
with flat terminal
for solder connection



- Width 22.5 mm
- Max. 8 plus-minus screws with self-raising terminal washers
- Secure clamping of max. 2 connection wires with differing cross section
- Braided wire connection between terminals and printed circuit boards
- Terminal cover as option, complies with contact protection VBG 4



Flat terminal



KO 4753

Technical data

Order reference: KO 4753.097.08.01.001
Outer dimensions: 22.5 x 75 x 97 mm
 Enclosure material: PC-GF light gray RAL 7035

Temperature stability:	PC
complying with UL 746 B:	125 °C
complying with Vicat	
ISO 306 Meth. B:	148 °C
compl. with ISO 75-2 Meth. A:	138 °C
Meth. B:	144 °C

Max. permitted power dissipation: at normal climate 23 / 50-1 ISO 554

Enclosure gap	Power dissipation P_v
0 mm	4 W
16 mm	7.5 W
∞	10 W

Specific thermal resistance: $R_{th} = 10 \text{ K / W}$ for stand-alone enclosure
 Flame retardancy complying with UL 94: V-0
 complying with IEC 60707: BH 2-30
Number of terminals: max. 8, outside without lettering, numbered inside from 1 to 8

Terminal material: steel strip, tin-plated
 Max. cross section for connection: 2 x 2.5 mm² solid or 2 x 1.5 mm² stranded ferruled DIN 46228-1/-2/-3

Insulation of wires length: 8 mm

Max. current carrying capacity: 25 A

Wire fastening: Plus-minus terminal screws (M3.5) with self-raising terminal washers, Function complying with IEC 60999-1

Torque: max. 0.4 Nm

Inner connection: Lugs for solder connection or connector sleeves complying with DIN 46247-1

Enclosure fastener:
 1) Snap-on fastener on top hat rail EN 60715
 2) Screw fastening possible with retractable lugs, fastening dimension 80 mm, for 2 M4 screws

Creepage current resistance
 PC: CTI 175 $\hat{=}$ insulating material III a IEC 60664-1
 PC: CTI 450 $\hat{=}$ insulating material II IEC 60664-1

Air gap and creepage distances: Air gap $\geq 7 \text{ mm}$ IEC 60664-1
 Creepage distance $\geq 8 \text{ mm}$

Type of protection:
 a) Enclosure IP 30 (with terminal cover IP 40) IEC 60529
 b) Terminals IP 10 (with terminal cover IP 20 and contact protection complies with VBG 4) IEC 60529

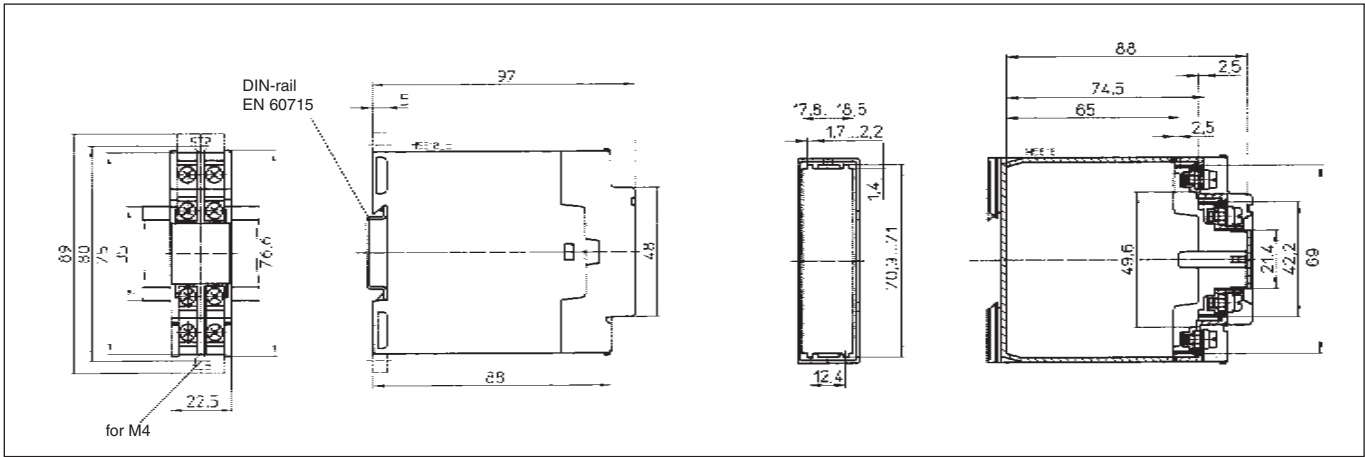
Print area: In terminal plate, 0.4 mm recess for label 21 x 22 mm

Printed circuit board: see Printed circuit board design

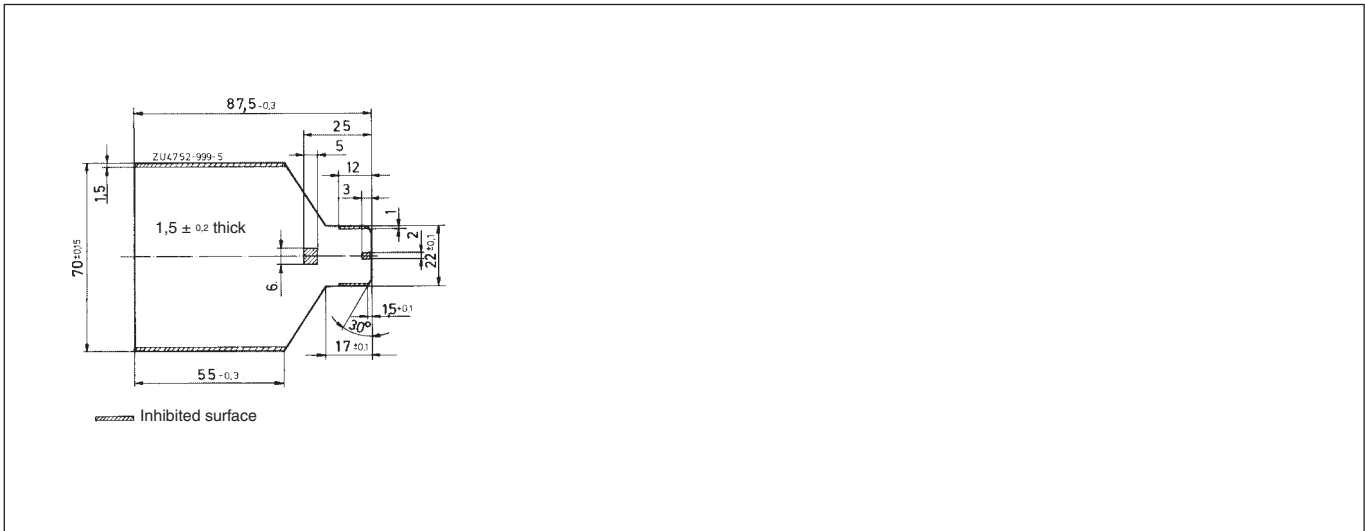
Printed circuit board holder: Guides in base and terminal plate

Accessories: Terminal covers ET 4752-2-4 and ET 4752-2-5 ≥ 1 pair (on demand): available in PC, grey on request

Dimensions



Printed Circuit board design



Terminal cover

