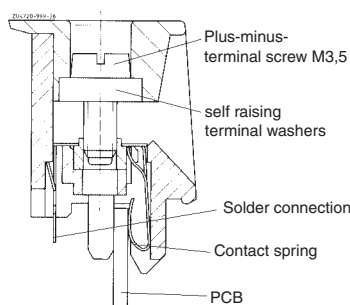


# Insulated Enclosure KO 4719

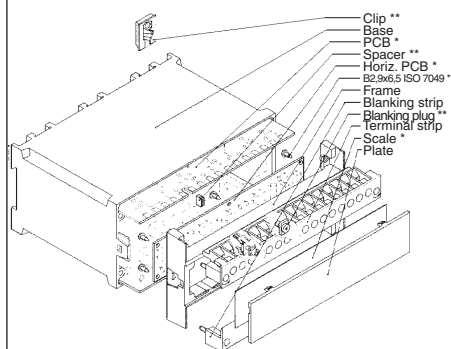
with flat terminals  
for plug-in technology



- Width 152 mm
- Max. 32 flat terminals with high torque captive plus-minus-terminal screws
- With removable terminal strip
- Optionally with Blanking strips
- PCBs are easy to install because of guiding ribs
- Optionally with changeable plate



Flat terminal for plug-in technology



\* not included in delivery  
\*\* see Accessories

## Technical Data

Order references:

Front colour	beige	light grey RAL 7035	blue RAL 5015	Enclosure variant with
KO 4719.118.32.01	.001	.008	.013	front plate
KO 4719.118.32.01	.006	.012	.011	platte
KO 4719.118.32.01	.007	.015	.016	platte clear

**Outer dimensions:** 152 x 73.2 x 118.2 mm

Enclosure material: PC-GF, base black,  
front colour see table

Temperature stability:	
complying with UL 746 B:	125 °C
complying with Vicat	
ISO 306 Meth. B:	148 °C
compl.with ISO 75-2 Meth. A:	138 °C
Meth. B:	144 °C

Max. permitted power dissipation: 35 W for stand-alone enclosure  
at normal climate 23/50-1 ISO 554

Specific thermal resistance:  $R_{th} = 3 \text{ K/W}$  for stand-alone enclosure

Flame retardancy:  
complying with UL 94: V-0; Plate clear = V-2  
complying with IEC 60 707: BH 2-30

**Number of terminals:** 32; < 32 on request

Terminal material: CuSn6 tin-plated

Max. cross section for connection: 2 x 1.5 mm<sup>2</sup> stranded ferruled DIN 46 228-1/-2/-3/-4  
2 x 2.5 mm<sup>2</sup> solid

Insulation of wires length: 10 mm

Max. contact resistance to  
printed circuit board: 10 mΩ

Max. current carrying capacity: 10 A

Wire fastening: captive plus-minus terminal screws M3.5  
with self raising terminal washers, terminal strip  
can be removable separately

Torque: max. 0.8 Nm

Inner connection: Direct connection on PCB, solder connection possible

**Enclosure fastener:**  
1) Snap-on fastener on top hat rail EN 50 022  
2) Screw fixing M4, grid 80 mm

Creepage current resistance: CTI 175  $\approx$  insulated material III a IEC 60 664-1

**Air gap and creepage distance:**  $\geq 4 \text{ mm}$  IEC 60 664-1

Type of protection: Enclosure IP 40 IEC 60 529  
Terminals IP 20 IEC 60 529  
contact protection complies with VGB 4

Print area: 33 x 152 mm (on front plate)

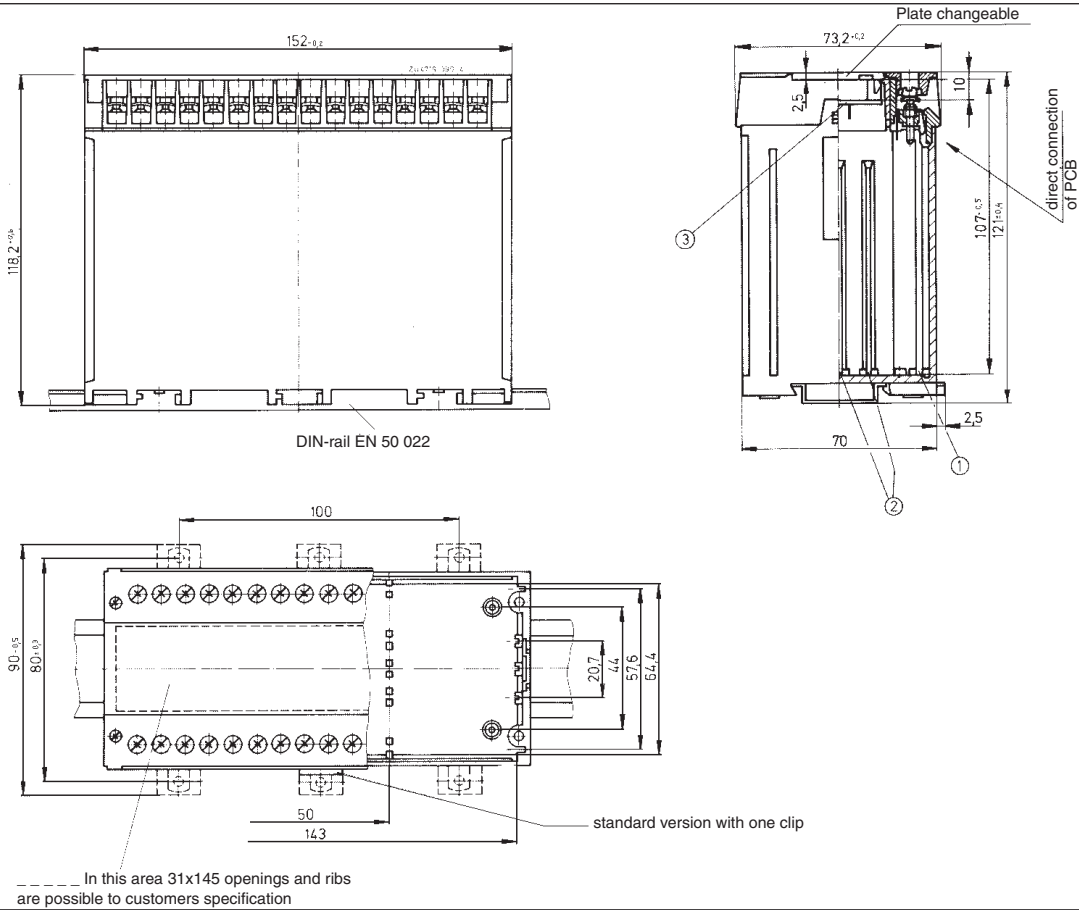
**Printed circuit board:** see printed circuit design

Printed circuit board holder: Guide ribs on the small side and on the  
enclosure bottom for 5 PCBs

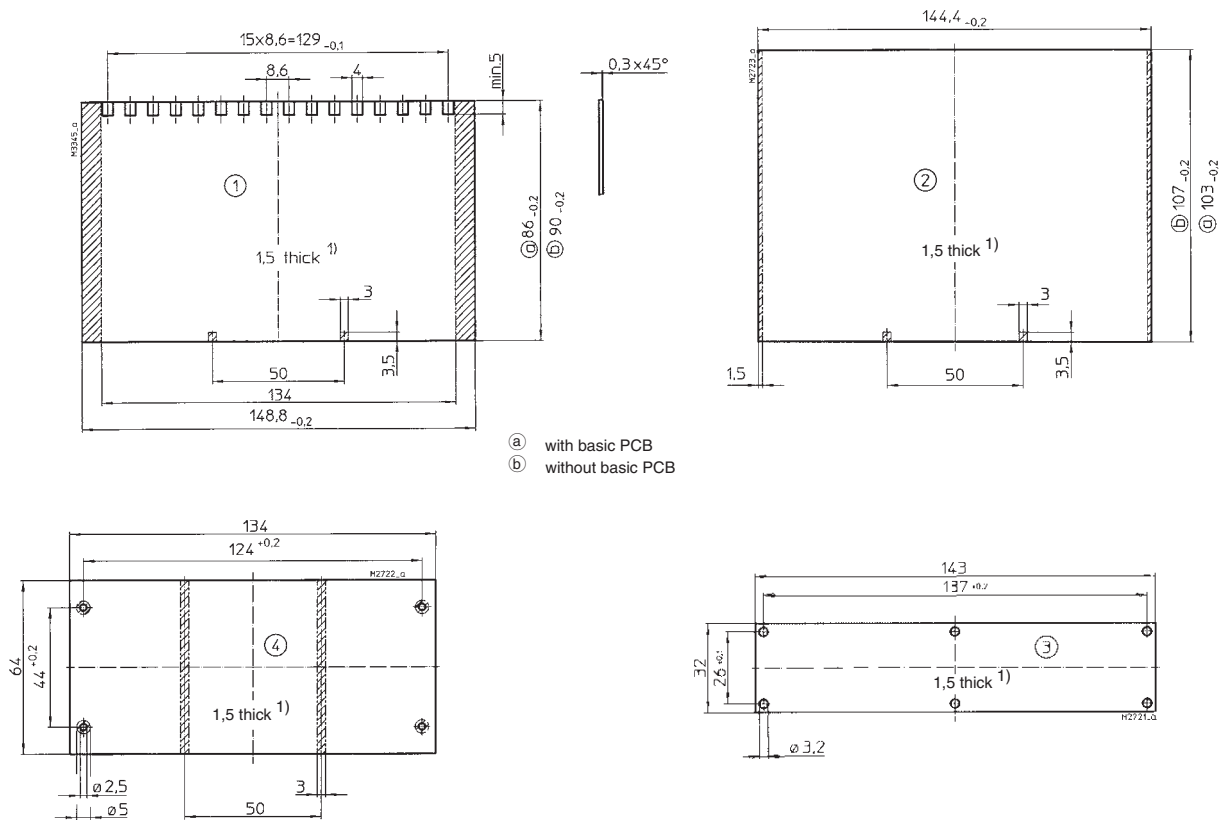
Net weight: approx. 350 g

**Accessories:**  
ET 4720-1-2: 2 clips for screw fixing  
ET 4720-0-60: Spacer for PCB coding  
K70/150-0-48: Blanking plug grey  
KO 4719-3.2: Blanking strip beige  
KO 4719-3.3: Blanking strip grey  
KO 4719-3.4: Blanking strip blue

## Dimensions



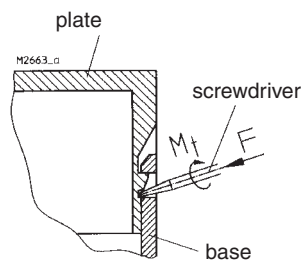
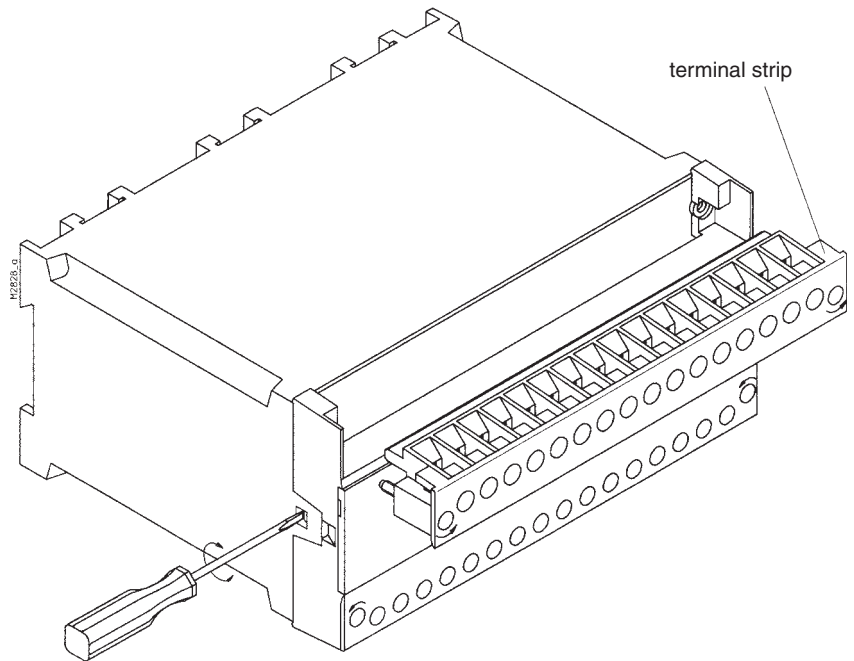
## Printed circuit board designs



▨ Inhibited surface  
 1) Tolerance complying with IEC/EN 60249-2-4

## Notes on Housing Opening

To remove the front plate first unscrew the terminal strips fixing screws and lift off the terminal strips.



To remove front-frame insert an 0.6 x 4.5 ISO 2380-1 screwdriver into the side recess, on the hood, and turn lightly to the left or right until the snap-in lug disengages. Repeat in the opposite side.

