

# OLED DISPLAY MODULE

## Product Specification

|                          |                     |             |
|--------------------------|---------------------|-------------|
| <b>CUSTOMER</b>          | <b>Standard</b>     |             |
| <b>PRODUCT NUMBER</b>    | <b>DD-4C20YW-1A</b> |             |
| <b>CUSTOMER APPROVAL</b> |                     | <b>Date</b> |

| INTERNAL APPROVALS      |                    |                      |
|-------------------------|--------------------|----------------------|
| Product Mgr             | Doc. Control       | Electr. Eng          |
| <b>Bazile<br/>Peter</b> | <b>Luo<br/>Luo</b> | <b>Alan<br/>Wang</b> |
| Date: 26 Sep 12         | Date: 26 Sep 12    | Date: 26 Sep 12      |

## TABLE OF CONTENTS

|           |  |           |
|-----------|--|-----------|
| <b>1</b>  | <b>MAIN FEATURES</b> .....                         | <b>4</b>  |
| <b>2</b>  | <b>MECHANICAL SPECIFICATION</b> .....              | <b>5</b>  |
| 2.1       | MECHANICAL CHARACTERISTICS .....                   | 5         |
| 2.2       | MECHANICAL DRAWING .....                           | 6         |
| <b>3</b>  | <b>ELECTRICAL SPECIFICATION</b> .....              | <b>7</b>  |
| 3.1       | ABSOLUTE MAXIMUM RATINGS .....                     | 7         |
| 3.2       | ELECTRICAL CHARACTERISTICS .....                   | 8         |
| 3.3       | INTERFACE PIN ASSIGNMENT .....                     | 9         |
| 3.4       | BLOCK DIAGRAM .....                                | 12        |
| 3.5       | TIMING CHARACTERISTICS.....                        | 14        |
| <b>4</b>  | <b>OPTICAL SPECIFICATION</b> .....                 | <b>19</b> |
| 4.1       | OPTICAL CHARACTERISTICS .....                      | 19        |
| <b>5</b>  | <b>FUNCTIONAL SPECIFICATION</b> .....              | <b>20</b> |
| 5.1       | COMMANDS.....                                      | 20        |
| 5.2       | POWER UP/DOWN SEQUENCE .....                       | 20        |
| 5.3       | RESET CIRCUIT.....                                 | 21        |
| 5.4       | ACTUAL APPLICATION EXAMPLE .....                   | 22        |
| 5.5       | BUILD-IN CGROM (CHARACTER GENERATOR ROM) .....     | 26        |
| 5.6       | SELF-DEFINED CGRAM (CHARACTER GENERATOR RAM).....  | 29        |
| <b>6</b>  | <b>PACKAGING AND LABELLING SPECIFICATION</b> ..... | <b>30</b> |
| <b>7</b>  | <b>QUALITY ASSURANCE SPECIFICATION</b> .....       | <b>31</b> |
| 7.1       | CONFORMITY .....                                   | 31        |
| 7.2       | DELIVERY ASSURANCE.....                            | 31        |
| 7.3       | DEALING WITH CUSTOMER COMPLAINTS.....              | 36        |
| <b>8</b>  | <b>RELIABILITY SPECIFICATION</b> .....             | <b>37</b> |
| 8.1       | RELIABILITY TESTS .....                            | 37        |
| 8.2       | LIFE TIME .....                                    | 37        |
| <b>9</b>  | <b>HANDLING PRECAUTIONS</b> .....                  | <b>38</b> |
| 9.1       | HANDLING PRECAUTIONS .....                         | 38        |
| 9.2       | STORAGE PRECAUTIONS .....                          | 39        |
| 9.3       | DESIGNING PRECAUTIONS .....                        | 39        |
| 9.4       | OTHER PRECAUTIONS .....                            | 40        |
| <b>10</b> | <b>SUPPORTED ACCESSORIES</b> .....                 | <b>41</b> |
| 10.1      | DUO KIT .....                                      | 41        |
| 10.1      | TRANSITION BOARD CARD.....                         | 41        |
| 10.2      | CONNECTOR BOARD CARD .....                         | 41        |
| 10.3      | CONNECTOR .....                                    | 41        |
| 10.4      | APPLICATION NOTES AND EXAMPLE CODES.....           | 41        |

|             |              |        |
|-------------|--------------|--------|
| Product No. | DD-4C20YW-1A | REV. B |
|             |              |        |

|      |        |
|------|--------|
| Page | 2 / 41 |
|------|--------|

REVISION RECORD

| <b>Rev.</b> | <b>Date</b> | <b>Page</b> | <b>Chapt.</b> | <b>Comment</b>                   | <b>ECR no.</b> |
|-------------|-------------|-------------|---------------|----------------------------------|----------------|
| A           | 26 Sep 12   |             |               | First Issue                      |                |
| B           | 28 Nov 12   | 41          | 10            | Update the connector information |                |
|             |             |             |               |                                  |                |
|             |             |             |               |                                  |                |
|             |             |             |               |                                  |                |
|             |             |             |               |                                  |                |
|             |             |             |               |                                  |                |

|             |              |        |
|-------------|--------------|--------|
| Product No. | DD-4C20YW-1A | REV. B |
|             |              |        |

|      |        |
|------|--------|
| Page | 3 / 41 |
|------|--------|

# 1 MAIN FEATURES

| ITEM                  | CONTENTS                |
|-----------------------|-------------------------|
| Characters x lines    | 20 x 4                  |
| Character Font        | 5 x 8                   |
| Overall Dimensions    | 84.50 x 27.50 x 2.00 mm |
| Colour                | Monochrome Yellow       |
| Active Area           | 70.42 x 20.82 mm        |
| Display Mode          | Passive Matrix          |
| Driving Method        | 1/32 duty               |
| Driver IC             | US2066                  |
| Operating temperature | -40 ~ +85               |
| Storage temperature   | -40 ~ +90               |

|             |              |        |
|-------------|--------------|--------|
| Product No. | DD-4C20YW-1A | REV. B |
|             |              |        |

|      |        |
|------|--------|
| Page | 4 / 41 |
|------|--------|

## 2 MECHANICAL SPECIFICATION

### 2.1 MECHANICAL CHARACTERISTICS

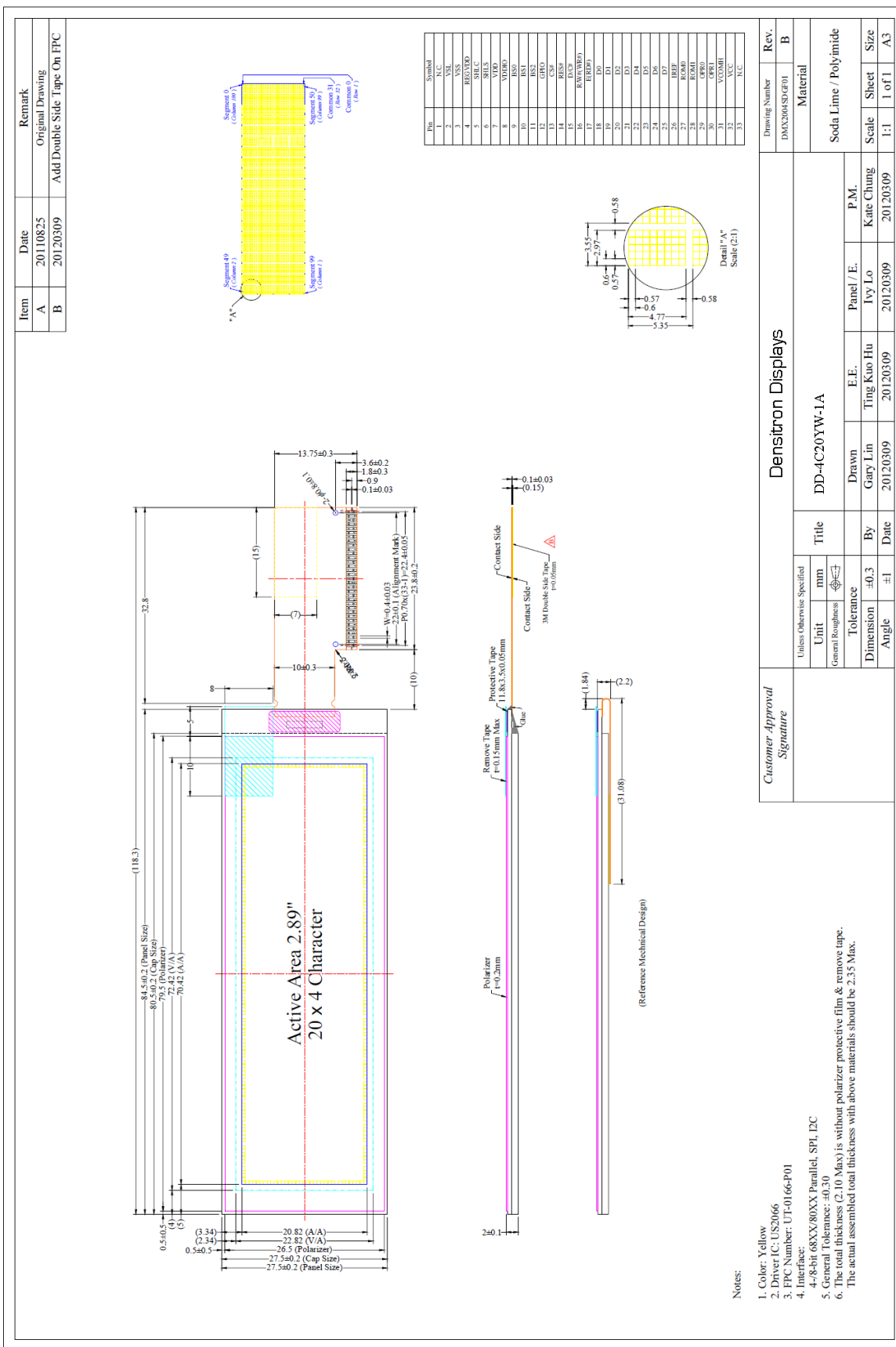
---

| ITEM                 | CHARACTERISTIC       | UNIT |
|----------------------|----------------------|------|
| Characters x lines   | 20 x 4               |      |
| Overall Dimensions   | 84.50 x 27.50 x 2.00 | mm   |
| Active Area          | 70.42 x 20.82        | mm   |
| Dot Size             | 0.57 x 0.57          | mm   |
| Dot Pitch            | 0.60 x 0.60          | mm   |
| Character size       | 2.97 x 4.77          | mm   |
| Weight               | 9.61                 | g    |
| IC Controller/Driver | US2066               |      |

|             |              |        |
|-------------|--------------|--------|
| Product No. | DD-4C20YW-1A | REV. B |
|             |              |        |

|      |        |
|------|--------|
| Page | 5 / 41 |
|------|--------|

## 2.2 MECHANICAL DRAWING



|             |              |        |
|-------------|--------------|--------|
| Product No. | DD-4C20YW-1A | REV. B |
|-------------|--------------|--------|

|      |        |
|------|--------|
| Page | 6 / 41 |
|------|--------|

### 3 ELECTRICAL SPECIFICATION

#### 3.1 ABSOLUTE MAXIMUM RATINGS

VSS = 0 V, Ta = 25 °C

| Item                               | Symbol            | Min     | Max | Unit | Note      |
|------------------------------------|-------------------|---------|-----|------|-----------|
| Supply Voltage for logic           | V <sub>DD</sub>   | -0.3    | 6.0 | V    | Note 1, 2 |
| Supply Voltage for I/O Pins        | V <sub>DDIO</sub> | -0.3    | 6.0 | V    |           |
| Supply voltage for Display         | V <sub>CC</sub>   | 0       | 15  | V    |           |
| Operating Temperature              | T <sub>op</sub>   | -40     | 85  | °C   | Note 3    |
| Storage Temperature                | T <sub>st</sub>   | -40     | 90  | °C   | Note 3    |
| Life Time (120 cd/m <sup>2</sup> ) |                   | 40,000  | -   | hour | Note 4    |
| Life Time (100 cd/m <sup>2</sup> ) |                   | 100,000 | -   | hour | Note 4    |
| Life Time (80 cd/m <sup>2</sup> )  |                   | 150,000 | -   | hour | Note 4    |

Note 1: All the above voltages are on the basis of “V<sub>SS</sub>=0V”.

Note 2: When this module is used beyond the above absolute maximum ratings, permanent damage to the module may occur. Also for normal operations it's desirable to use this module under the conditions according to Section 3.2 “Electrical Characteristics”. If this module is used beyond these conditions the module may malfunction and the reliability could deteriorate.

Note 3: The defined temperature ranges do not include the polarizer. The maximum withstood temperature of the polarizer should be 80°C.

Note 4: V<sub>CC</sub> =12.0V, Ta=25 °C, 50% Checkerboard.

Software configuration follows Section 5.4 Actual Application Example  
End of lifetime is specified as 50% of initial brightness reached. The average operating lifetime at room temperature is estimated by the accelerated operation at high temperature conditions.

### 3.2 ELECTRICAL CHARACTERISTICS

| Characteristics                        | Symbol                | Conditions                         | Min                     | Typ  | Max                     | Unit |
|--|-----------------------|------------------------------------|-------------------------|------|-------------------------|------|
| Supply Voltage for Logic               | V <sub>DD</sub>       | 5V I/O Application                 | -                       | -    | -                       | V    |
|  |                       | Low Voltage I/O Application        | 2.4                     | 2.8  | V <sub>DDIO</sub>       | V    |
| Supply Voltage for I/O Pins            | V <sub>DDIO</sub>     | 5V I/O Application                 | 4.4                     | 5.0  | 5.5                     | V    |
|  |                       | Low Voltage I/O Application        | 2.4                     | 2.8  | 3.6                     | V    |
| Supply Voltage for Display             | V <sub>CC</sub>       | Note 1                             | 11.5                    | 12   | 12.5                    | V    |
| High Level Input                       | V <sub>IH</sub>       | I <sub>OUT</sub> =0.1mA,<br>3.3MHz | 0.8xV <sub>DDIO</sub>   | -    | V <sub>DDIO</sub>       | V    |
| Low Level Input                        | V <sub>IL</sub>       |                                    | 0                       | -    | 0.2 x V <sub>DDIO</sub> | V    |
| High Level Output                      | V <sub>OH</sub>       | I <sub>OUT</sub> =0.1mA,<br>3.3MHz | 0.9 x V <sub>DDIO</sub> | -    | V <sub>DDIO</sub>       | V    |
| Low Level Output                       | V <sub>OL</sub>       |                                    | 0                       | -    | 0.1 x V <sub>DDIO</sub> | V    |
| Operating current for V <sub>DD</sub>  | I <sub>DD</sub>       | -                                  | -                       | 180  | 300                     | μA   |
| Operating current for V <sub>CC</sub>  | I <sub>CC</sub>       | Note 2                             | -                       | 15.2 | 19.0                    | mA   |
|  |                       | Note 3                             | -                       | 24.0 | 30.0                    |      |
|  |                       | Note 4                             | -                       | 46.5 | 58.1                    |      |
| Sleep mode current for V <sub>DD</sub> | I <sub>DD SLEEP</sub> |                                    | -                       | 1    | 10                      | μA   |
| Sleep mode current for V <sub>CC</sub> | I <sub>CC SLEEP</sub> |                                    | -                       | 2    | 10                      | μA   |

Note 1: Brightness (L<sub>br</sub>) and Supply Voltage for Display (V<sub>CC</sub>), are subject to the change of the panel characteristics and the customer's request.

Note 2: V<sub>DD</sub> = 2.8V or 5.0V, V<sub>CC</sub> = 12.0V, 30% display area turned on.

Note 2: V<sub>DD</sub> = 2.8V or 5.0V, V<sub>CC</sub> = 12.0V, 50% display area turned on.

Note 4: V<sub>DD</sub> = 2.8V or 5.0V, V<sub>CC</sub> = 12.0V, 100% display area turned on.

\* Software configuration follows section 5.4 Actual Application Example.

|             |              |        |
|-------------|--------------|--------|
| Product No. | DD-4C20YW-1A | REV. B |
|             |              |        |

|      |        |
|------|--------|
| Page | 8 / 41 |
|------|--------|



### 3.3 INTERFACE PIN ASSIGNMENT

| No.                 | Symbol    | I/O | Function   |     |     |     |     |                  |   |   |   |        |   |   |   |                     |   |   |   |
|---------------------|-----------|-----|--|-----|-----|-----|-----|------------------|---|---|---|--------|---|---|---|---------------------|---|---|---|
| 1                   | N.C.(GND) | -   | <b>Reserved Pin (Supporting Pin)</b><br>The supporting pin can reduce the influence from stress on the function pins. This pin must be connected to external ground as the ESD protection circuit.   |     |     |     |     |                  |   |   |   |        |   |   |   |                     |   |   |   |
| 2                   | VSL       | P   | <b>Voltage Output Low Level for SEG signal</b><br>This is segment voltage reference pin.<br>When external $V_{SL}$ is not used, this pin should be left open.<br>When external $V_{SL}$ is used, this pin should connect with resistor and diode to ground.  |     |     |     |     |                  |   |   |   |        |   |   |   |                     |   |   |   |
| 3                   | VSS       | P   | <b>Ground of OEL System</b><br>This is a ground pin. It also acts as a reference for the logic pins, the OEL driving voltages and the analogue circuits. It must be connected to external ground.  |     |     |     |     |                  |   |   |   |        |   |   |   |                     |   |   |   |
| 4                   | REGVDD    | I   | <b>5V I/O Regulator Configuration</b><br>This is internal $V_{DD}$ regulator selection pin in 5V I/O application mode.<br>When this pin is pulled LOW, internal $V_{DD}$ regulator is disabled (Low Voltage I/O application).<br>When this pin is pulled HIGH, internal $V_{DD}$ regulator is enabled (5V I/O application).  |     |     |     |     |                  |   |   |   |        |   |   |   |                     |   |   |   |
| 5                   | SHLC      | I   | <b>Scanning Direction for COM signal</b><br>This pin is used to determine the COM output scanning direction. It can still be programmable and defined by fundamental command.  |     |     |     |     |                  |   |   |   |        |   |   |   |                     |   |   |   |
| 6                   | SHLS      | I   | <b>Mapping Direction for SEG Selection</b><br>This pin is used to change the mapping between the display data column address and the segment driver. It can still be programmable and defined by fundamental command.  |     |     |     |     |                  |   |   |   |        |   |   |   |                     |   |   |   |
| 7                   | VDD       | P   | <b>Power Supply for Logic Circuit</b><br>This is a voltage supply pin which is supplied externally or regulated internally. A capacitor should be connected between this pin and Vss under all circumstances. When internal $V_{DD}$ is disabled, this is a power input pin. It must be connected to $V_{DDIO}$ or external source and always be equal to or lower than $V_{DDIO}$ . (Low Voltage I/O Application)<br>When internal $V_{DD}$ is enabled, it is regulated internally from $V_{DDIO}$ . (5V I/O Application) |     |     |     |     |                  |   |   |   |        |   |   |   |                     |   |   |   |
| 8                   | VDDIO     | P   | <b>Power Supply for Interface Logic Level</b><br>This is a voltage supply pin. It should match with the MCU interface voltage level and must be connected to external source.  |     |     |     |     |                  |   |   |   |        |   |   |   |                     |   |   |   |
| 9                   | BS0       | I   | <b>Communicating Protocol Selection</b><br>These pins are MCU interface selection input. See the following table: <table border="1" style="margin-left: 20px;"> <thead> <tr> <th></th> <th>BS0</th> <th>BS1</th> <th>BS2</th> </tr> </thead> <tbody> <tr> <td>I<sup>2</sup>C</td> <td>0</td> <td>1</td> <td>0</td> </tr> <tr> <td>Serial</td> <td>0</td> <td>0</td> <td>0</td> </tr> <tr> <td>4-bit 68XX-Parallel</td> <td>1</td> <td>0</td> <td>1</td> </tr> </tbody> </table>  |     | BS0 | BS1 | BS2 | I <sup>2</sup> C | 0 | 1 | 0 | Serial | 0 | 0 | 0 | 4-bit 68XX-Parallel | 1 | 0 | 1 |
|                     | BS0       |     |  | BS1 | BS2 |     |     |                  |   |   |   |        |   |   |   |                     |   |   |   |
| I <sup>2</sup> C    | 0         | 1   | 0  |     |     |     |     |                  |   |   |   |        |   |   |   |                     |   |   |   |
| Serial              | 0         | 0   | 0  |     |     |     |     |                  |   |   |   |        |   |   |   |                     |   |   |   |
| 4-bit 68XX-Parallel | 1         | 0   | 1  |     |     |     |     |                  |   |   |   |        |   |   |   |                     |   |   |   |
| 10                  | BS1       |     |  |     |     |     |     |                  |   |   |   |        |   |   |   |                     |   |   |   |

|             |              |        |
|-------------|--------------|--------|
| Product No. | DD-4C20YW-1A | REV. B |
|             |              |        |

|      |        |
|------|--------|
| Page | 9 / 41 |
|------|--------|

|       |       |     |  |   |   |   |
|-------|-------|-----|--|---|---|---|
| 11    | BS2   |     | 4-bit 80XX-Parallel  | 1 | 1 | 1 |
|       |       |     | 8-bit 68XX-Parallel  | 0 | 0 | 1 |
|       |       |     | 8-bit 68XX-Parallel  | 0 | 1 | 1 |
| 12    | GPIO  | I/O | <p><b>General Purpose Input/Output</b><br/>This pin could be left open individually or have signal inputted/outputted. It is able to use as the external DC/DC converter circuit enabled/disabled control or other applications.</p>   |   |   |   |
| 13    | CS#   | I   | <p><b>Chip Select</b><br/>This pin is the chip select input. The chip is enabled for MCU communication only when CS# is pulled low.</p>  |   |   |   |
| 14    | RES#  | I   | <p><b>Power Reset for Controller and Driver</b><br/>This pin is reset signal input. When the pin is low, initialization of the chip is executed. Keep this pin pull high during normal operation.</p>  |   |   |   |
| 15    | D/C#  | I   | <p><b>Data/Command Control</b><br/>This pin is Data/Command control pin. When the pin is pulled high, the input at D7~D0 will be interpreted as display data. When the pin is pulled low, the input at D7~D0 will be transferred to the command register. In I<sup>2</sup>C mode, this pin acts as SA0 for slave address selection. When serial interface mode is selected, this pin must be connected to V<sub>SS</sub>. For detail relationship to MCU interface signals, please refer to the Timing Characteristics Diagrams.</p>           |   |   |   |
| 16    | R/W#  | I   | <p><b>Read/Write Select or Write</b><br/>This pin is MCU interface input. When interfacing to a 68XX-series microprocessor, this pin will be used as Read/Write (R/W#) selection input. Pull this pin to “High” for read mode and pull it to “Low” for write mode. When 80XX interface mode is selected, this pin will be the Write (WR#) input. Data write operation is initiated when this pin is pulled low and the CS# is pulled low. When serial or I<sup>2</sup>C mode is selected, this pin must be connected to V<sub>SS</sub>.</p>    |   |   |   |
| 17    | E/RD# | I   | <p><b>Read/Write Enable or Read</b><br/>This pin is MCU interface input. When interfacing to a 68XX-series microprocessor, this pin will be used as the Enable (E) signal. Read/write operation is initiated when this pin is pulled high and the CS# is pulled low. When connecting to an 80XX-microprocessor, this pin receives the Read (RD#) signal. Data read operation is initiated when this pin is pulled low and CS# is pulled low. When serial or I<sup>2</sup>C mode is selected, this pin must be connected to V<sub>SS</sub>.</p> |   |   |   |
| 18~25 | D0~D7 | I/O | <p><b>Host Data Input/Output Bus</b><br/>These pins are 8-bit bi-directional data bus to be connected to the microprocessor’s data bus. When serial mode is selected, D0 will be the serial clock input SCLK; D1 will be the serial data input SID and D2 will be the serial clock output SOD. When I<sup>2</sup>C mode is selected, D2, D1 should be tied together and serve as SDAOUT, SDAIN in application and D0 is the serial clock input, SCL. Unused pins must be connected to V<sub>SS</sub>.</p>                                      |   |   |   |

|             |              |        |
|-------------|--------------|--------|
| Product No. | DD-4C20YW-1A | REV. B |
|             |              |        |

|      |         |
|------|---------|
| Page | 10 / 41 |
|------|---------|

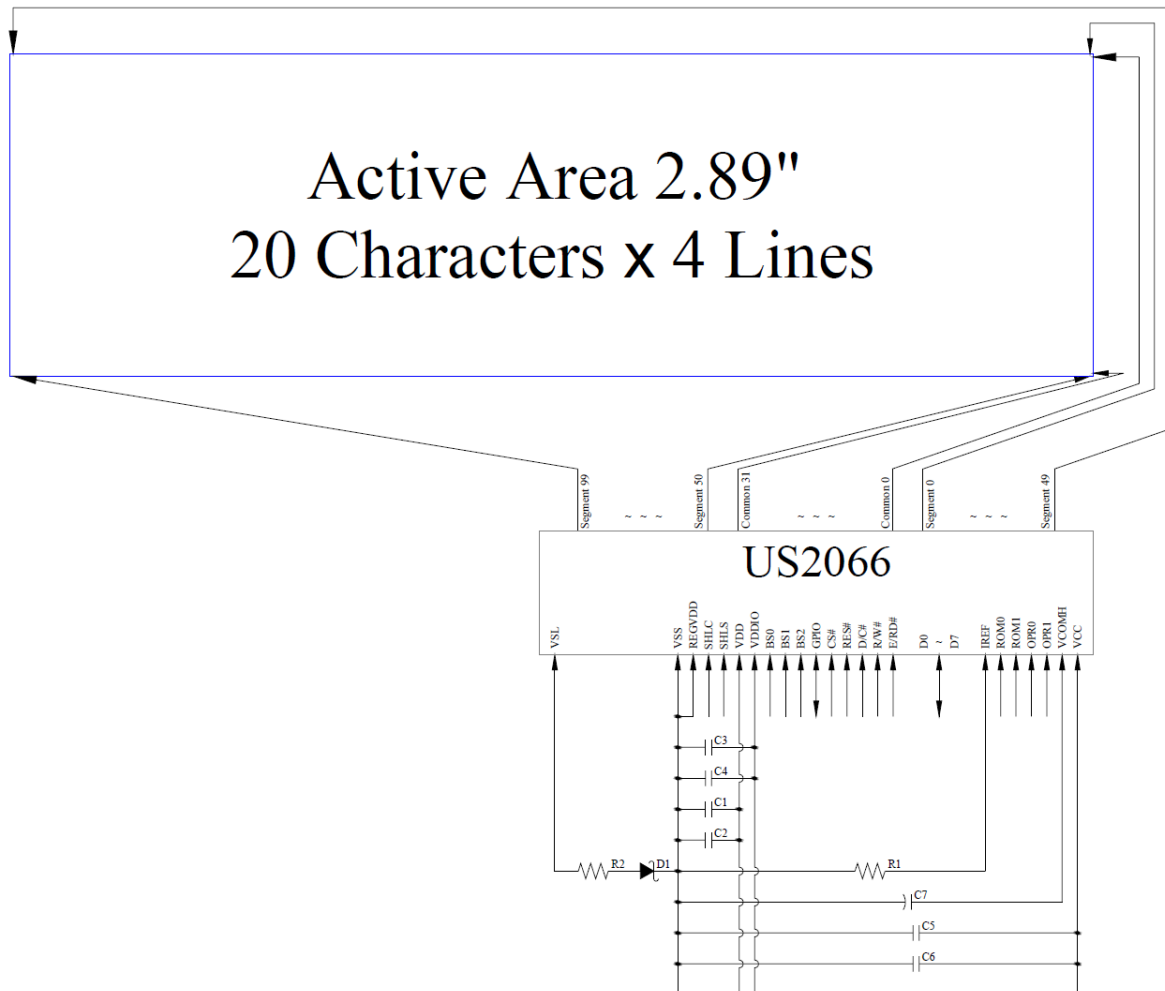
| 26             | IREF      | I | <p><b>Current Reference for Brightness Adjustment</b><br/>This pin is segment current reference pin. A resistor should be connected between this pin and VSS. Set the current at 15uA.</p>   |       |       |      |      |     |   |   |   |     |   |   |   |                |   |   |   |     |   |   |   |
|----------------|-----------|---|--|-------|-------|------|------|-----|---|---|---|-----|---|---|---|----------------|---|---|---|-----|---|---|---|
| 27             | ROM0      | I | <p><b>Built-in Character ROM Selection</b><br/>These pins are used to select Character ROM. See the following table:</p> <table border="1"> <thead> <tr> <th>ROM</th> <th>ROM0</th> <th>ROM1</th> </tr> </thead> <tbody> <tr> <td>A</td> <td>0</td> <td>0</td> </tr> <tr> <td>B</td> <td>1</td> <td>0</td> </tr> <tr> <td>C</td> <td>0</td> <td>1</td> </tr> <tr> <td>S/W selectable</td> <td>1</td> <td>1</td> </tr> </tbody> </table> <p>It can still be programmable and defined by extended command.</p>   | ROM   | ROM0  | ROM1 | A    | 0   | 0 | B | 1 | 0   | C | 0 | 1 | S/W selectable | 1 | 1 |   |     |   |   |   |
| ROM            | ROM0      |   |  | ROM1  |       |      |      |     |   |   |   |     |   |   |   |                |   |   |   |     |   |   |   |
| A              | 0         | 0 |  |       |       |      |      |     |   |   |   |     |   |   |   |                |   |   |   |     |   |   |   |
| B              | 1         | 0 |  |       |       |      |      |     |   |   |   |     |   |   |   |                |   |   |   |     |   |   |   |
| C              | 0         | 1 |  |       |       |      |      |     |   |   |   |     |   |   |   |                |   |   |   |     |   |   |   |
| S/W selectable | 1         | 1 |  |       |       |      |      |     |   |   |   |     |   |   |   |                |   |   |   |     |   |   |   |
| 28             | ROM1      |   |  |       |       |      |      |     |   |   |   |     |   |   |   |                |   |   |   |     |   |   |   |
| 29             | OPR0      | I | <p><b>Character ROM/RAM Management</b><br/>These pins are used to manage the character number of character generator. See the following table:</p> <table border="1"> <thead> <tr> <th>CGROM</th> <th>CGRAM</th> <th>OPR0</th> <th>OPR1</th> </tr> </thead> <tbody> <tr> <td>240</td> <td>8</td> <td>0</td> <td>0</td> </tr> <tr> <td>248</td> <td>8</td> <td>1</td> <td>0</td> </tr> <tr> <td>250</td> <td>6</td> <td>0</td> <td>1</td> </tr> <tr> <td>256</td> <td>0</td> <td>1</td> <td>1</td> </tr> </tbody> </table> <p>It can still be programmable and defined by extended command.</p> | CGROM | CGRAM | OPR0 | OPR1 | 240 | 8 | 0 | 0 | 248 | 8 | 1 | 0 | 250            | 6 | 0 | 1 | 256 | 0 | 1 | 1 |
| CGROM          | CGRAM     |   |  | OPR0  | OPR1  |      |      |     |   |   |   |     |   |   |   |                |   |   |   |     |   |   |   |
| 240            | 8         |   |  | 0     | 0     |      |      |     |   |   |   |     |   |   |   |                |   |   |   |     |   |   |   |
| 248            | 8         |   |  | 1     | 0     |      |      |     |   |   |   |     |   |   |   |                |   |   |   |     |   |   |   |
| 250            | 6         | 0 | 1  |       |       |      |      |     |   |   |   |     |   |   |   |                |   |   |   |     |   |   |   |
| 256            | 0         | 1 | 1  |       |       |      |      |     |   |   |   |     |   |   |   |                |   |   |   |     |   |   |   |
| 30             | OPR1      |   |  |       |       |      |      |     |   |   |   |     |   |   |   |                |   |   |   |     |   |   |   |
| 31             | VCOMH     | P | <p><b>Voltage Output High Level for COM Signal</b><br/>This pin is the input pin for the voltage output high level for COM signals. A capacitor should be connected between this pin and V<sub>SS</sub>.</p>   |       |       |      |      |     |   |   |   |     |   |   |   |                |   |   |   |     |   |   |   |
| 32             | VCC       | P | <p><b>Power Supply for OEL Panel</b><br/>This is the most positive voltage supply pin of the chip. It must be connected to external source.</p>  |       |       |      |      |     |   |   |   |     |   |   |   |                |   |   |   |     |   |   |   |
| 33             | N.C.(GND) | - | <p><b>Reserved Pin (Supporting Pin)</b><br/>The supporting pin can reduce the influence from stress on the function pins. This pin must be connected to external ground as the ESD protection circuit.</p>   |       |       |      |      |     |   |   |   |     |   |   |   |                |   |   |   |     |   |   |   |

|             |              |        |
|-------------|--------------|--------|
| Product No. | DD-4C20YW-1A | REV. B |
|             |              |        |

|      |         |
|------|---------|
| Page | 11 / 41 |
|------|---------|

### 3.4 BLOCK DIAGRAM

#### 3.4.1 Low Voltage I/O Application



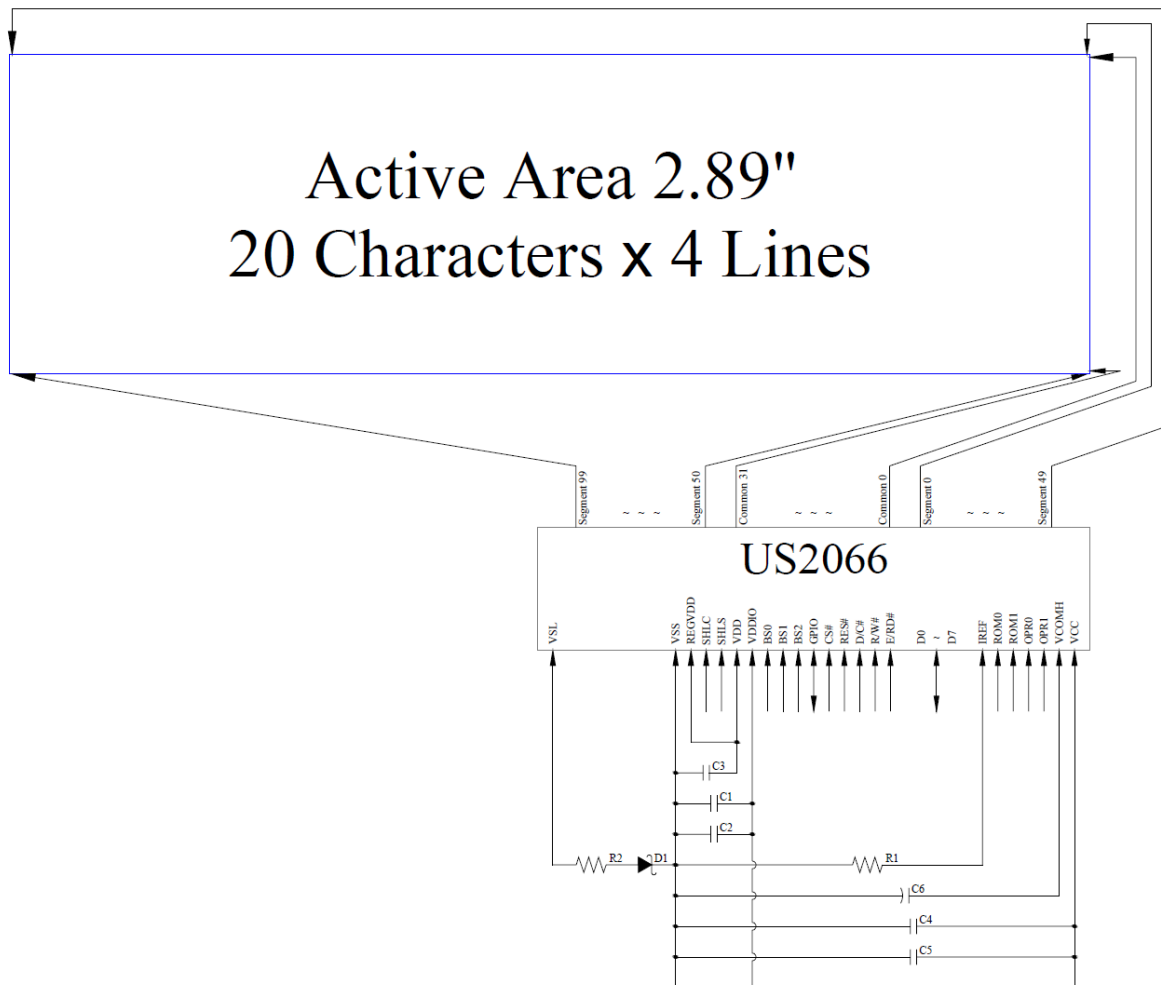
MCU Interface Selection: BS0, BS1 and BS2  
 Pins connected to MCU interface: CS#, RES#, D/C#, R/W#, E/RD#, and D0~D7  
 \* SHLC, SHLC, ROM0, ROM1, OPR0 and OPR1 should be configured.

- C1, C3, C5: 0.1μF
- C2, C4: 4.7μF
- C6: 10μF
- C7: 4.7μF / 25V Tantalum Capacitor
- R1: 470kΩ,  $R1 = (\text{Voltage at IREF} - VSS) / IREF$
- R2: 50Ω, 1/4W
- D1: ≤1.4V, 0.5W

|             |              |        |
|-------------|--------------|--------|
| Product No. | DD-4C20YW-1A | REV. B |
|             |              |        |

|      |         |
|------|---------|
| Page | 12 / 41 |
|------|---------|

### 3.4.2 5V I/O Application



MCU Interface Selection: BS0, BS1 and BS2  
 Pins connected to MCU interface: CS#, RES#, D/C#, R/W#, E/RD#, and D0~D7  
 \* SHLC, SHLS, ROM0, ROM1, OPR0 and OPR1 should be configured.

- C1, C4: 0.1 $\mu$ F
- C2: 4.7 $\mu$ F
- C3: 1 $\mu$ F
- C5: 10 $\mu$ F
- C6: 4.7 $\mu$ F / 25V Tantalum Capacitor
- R1: 470k $\Omega$ , R1 = (Voltage at IREF - VSS) / IREF
- R2: 50 $\Omega$ , 1/4W
- D1:  $\leq$ 1.4V, 0.5W

|             |              |        |
|-------------|--------------|--------|
| Product No. | DD-4C20YW-1A | REV. B |
|             |              |        |

|      |         |
|------|---------|
| Page | 13 / 41 |
|------|---------|

### 3.5 TIMING CHARACTERISTICS

#### 3.5.1 AC CHARACTERISTICS

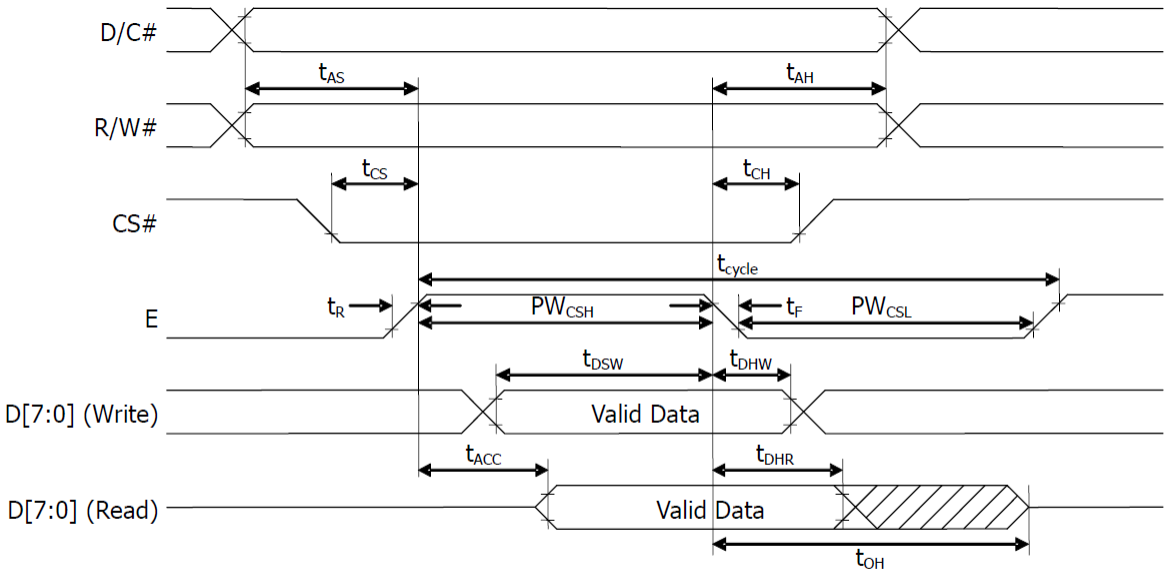
##### 3.5.1.1 68XX-Series MPU Parallel Interface Timing Characteristics

| Symbol             | Description                                     | Min | Max | Unit |
|--------------------|---|-----|-----|------|
| $t_{\text{cycle}}$ | Clock Cycle Time (Write Cycle)                  | 400 | -   | ns   |
| $t_{\text{AS}}$    | Address Setup Time                              | 13  | -   | ns   |
| $t_{\text{AH}}$    | Address Hold Time                               | 17  | -   | ns   |
| $t_{\text{DSW}}$   | Write Data Setup Time                           | 35  | -   | ns   |
| $t_{\text{DHW}}$   | Write Data Hold Time                            | 18  | -   | ns   |
| $t_{\text{DHR}}$   | Read Data Hold Time                             | 13  | -   | ns   |
| $t_{\text{OH}}$    | Output Disable Time                             | 10  | 90  | ns   |
| $t_{\text{ACC}}$   | Access Time (RAM)                               | -   | 125 | ns   |
|                    | Access Time (Command)                           |     |     |      |
| $t_{\text{CS}}$    | Chip Select Time                                | 0   | -   | ns   |
| $t_{\text{CH}}$    | Chip Select Hold Time                           | 0   | -   | ns   |
| $PW_{\text{CSL}}$  | Chip Select Low Pulse Width (Read RAM)          | 250 | -   | ns   |
|                    | Chip Select Low Pulse Width (Read Command)      | 250 |     |      |
|                    | Low Pulse width (Write)                         | 50  |     |      |
| $PW_{\text{CSH}}$  | Chip Select High Pulse Width (Read) Chip Select | 155 | -   | ns   |
|                    | High Pulse Width (Write)                        | 55  |     |      |
| $t_{\text{R}}$     | Rise Time                                       | -   | 15  | ns   |
| $t_{\text{F}}$     | Fall Time                                       | -   | 15  | ns   |

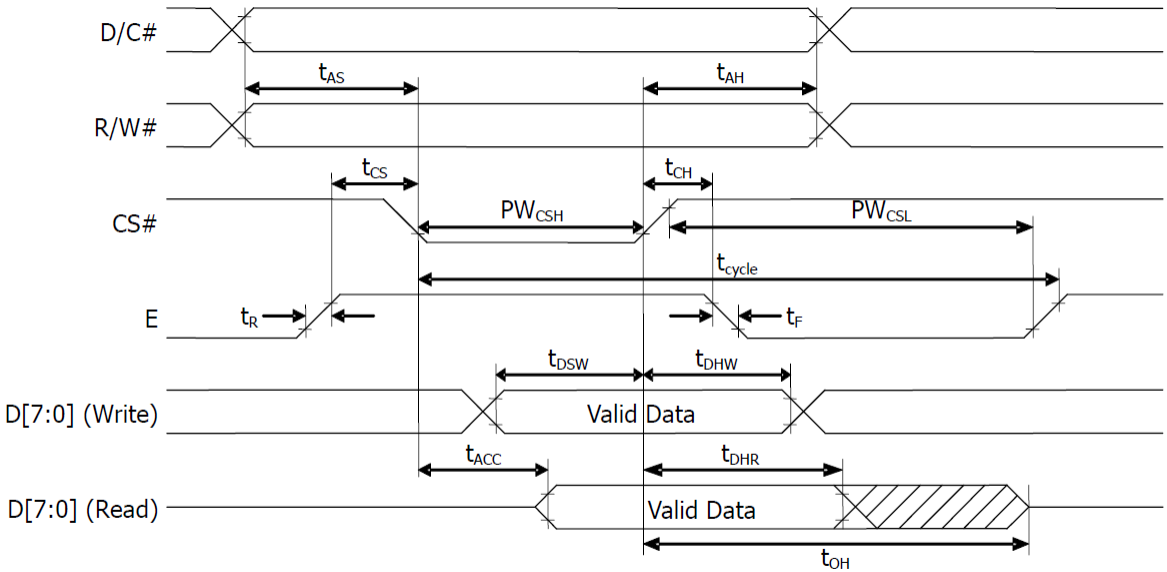
\*( $V_{\text{DDIO}} - V_{\text{SS}} = 2.4\text{V to } 3.6\text{V} / 4.4\text{V to } 5.5\text{V}$ ,  $T_a = 25\text{ }^\circ\text{C}$ )

|             |              |        |
|-------------|--------------|--------|
| Product No. | DD-4C20YW-1A | REV. B |
|             |              |        |

|      |         |
|------|---------|
| Page | 14 / 41 |
|------|---------|



**( CS# "Low Pulse Width" > E "High Pulse Width" )**



**( CS# "Low Pulse Width" < E "High Pulse Width" )**

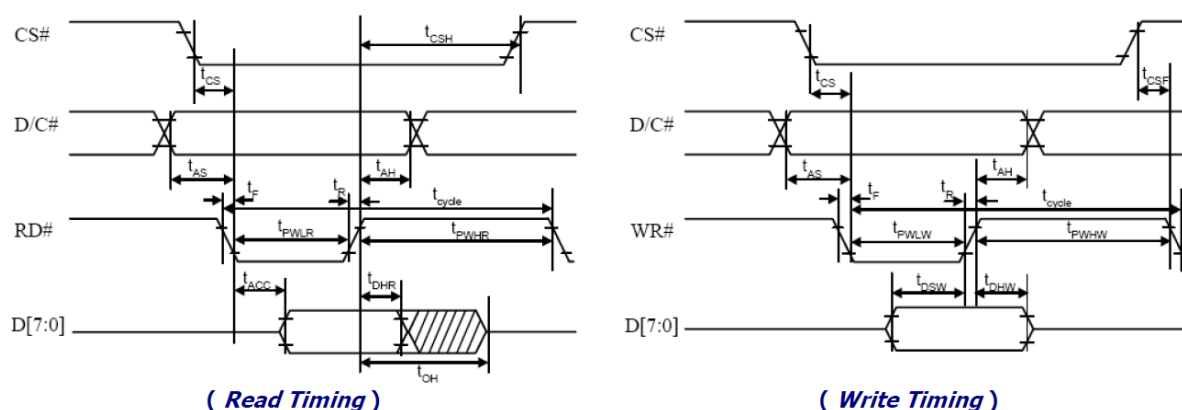
|             |              |        |
|-------------|--------------|--------|
| Product No. | DD-4C20YW-1A | REV. B |
|             |              |        |

|      |         |
|------|---------|
| Page | 15 / 41 |
|------|---------|

### 3.5.1.2 80XX-Series MPU Parallel Interface Timing Characteristics

| Symbol      | Description  | Min | Max | Unit |
|-------------|--|-----|-----|------|
| $t_{cycle}$ | System Cycle Time                                      | 400 | -   | ns   |
| $t_{AS}$    | Address Setup Time                                     | 13  | -   | ns   |
| $t_{AH}$    | Address Hold Time                                      | 17  | -   | ns   |
| $t_{DSW}$   | Write Data Setup Time                                  | 35  | -   | ns   |
| $t_{DHW}$   | Write Data Hold Time                                   | 18  | -   | ns   |
| $t_{DHR}$   | Read Data Hold Time                                    | 13  | -   | ns   |
| $t_{OH}$    | Output Disable Time                                    | 10  | 70  | ns   |
| $t_{ACC}$   | Access Time (RAM)                                      | -   | 125 | ns   |
|             | Access Time (Command)                                  |     |     |      |
| $t_{CS}$    | Chip Select Time                                       | 0   | -   | ns   |
| $t_{CSH}$   | Chip Select Hold Time to Read Signal                   | 0   | -   | ns   |
| $t_{CSF}$   | Chip Select Hold Time                                  | 0   | -   | ns   |
| $PW_{CSL}$  | Chip Select Low Pulse Width (Read RAM)- $t_{PWLR}$     | 250 | -   | ns   |
|             | Chip Select Low Pulse Width (Read Command)- $t_{PWLR}$ | 250 |     |      |
|             | Low Pulse width (Write)- $t_{PWLW}$                    | 50  |     |      |
| $PW_{CSH}$  | Chip Select High Pulse Width (Read)- $t_{PWHR}$        | 155 | -   | ns   |
|             | High Pulse Width (Write)- $t_{PWHW}$                   | 55  |     |      |
| $t_R$       | Rise Time  | -   | 15  | ns   |
| $t_F$       | Fall Time  | -   | 15  | ns   |

\*( $V_{DDIO} - V_{SS} = 2.4V$  to  $3.6V / 4.4V$  to  $5.5V$ ,  $T_a = 25\text{ }^\circ\text{C}$ )



|             |              |        |
|-------------|--------------|--------|
| Product No. | DD-4C20YW-1A | REV. B |
|             |              |        |

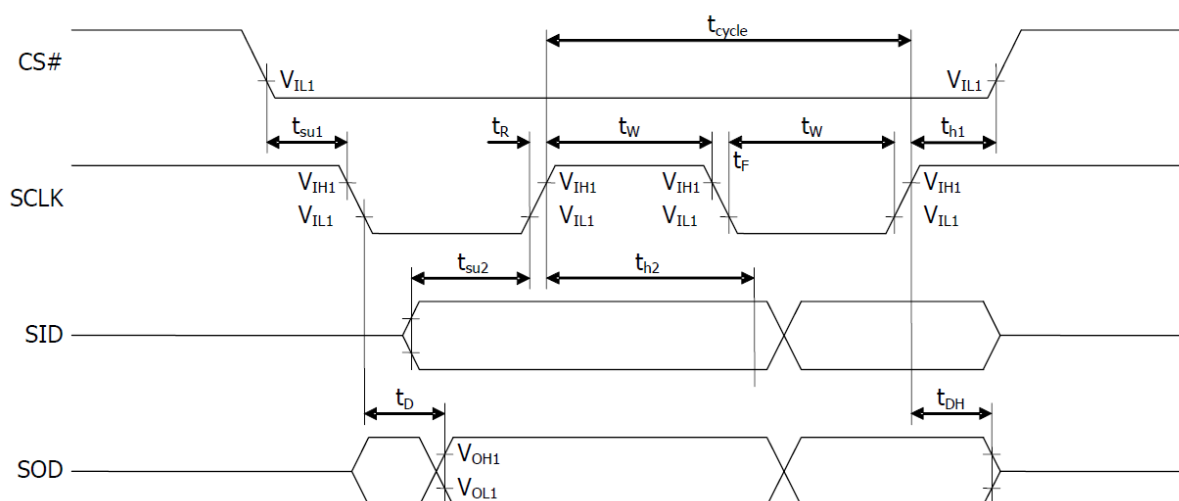
|      |         |
|------|---------|
| Page | 16 / 41 |
|------|---------|



### 3.5.1.3 Serial Interface Timing Characteristics

| Symbol             | Description                    | Min | Max | Unit |
|--------------------|--------------------------------|-----|-----|------|
| $t_{\text{cycle}}$ | Serial Clock Cycle Time        | 1   | 20  | ns   |
| $t_{\text{su1}}$   | Chip Select Setup Time         | 60  | -   | ns   |
| $t_{\text{h1}}$    | Chip Select Hold Time          | 20  | -   | ns   |
| $t_{\text{su2}}$   | Serial Input Data Setup Time   | 200 | -   | ns   |
| $t_{\text{h2}}$    | Serial Input Data Hold Time    | TBD | -   | ns   |
| $t_{\text{D}}$     | Serial Output Data Delay Time  | -   | TBD | ns   |
| $t_{\text{DH}}$    | Serial Output Data Hold Time   | 10  | -   | ns   |
| $t_{\text{W}}$     | Serial Clock Width (Low, High) | 400 | -   | ns   |
| $t_{\text{R}}$     | Rise Time                      | -   | 15  | ns   |
| $t_{\text{F}}$     | Fall Time                      | -   | 15  | ns   |

\*( $V_{\text{DDIO}} - V_{\text{SS}} = 2.4\text{V to } 3.6\text{V} / 4.4\text{V to } 5.5\text{V}$ ,  $T_{\text{a}} = 25\text{ }^{\circ}\text{C}$ )



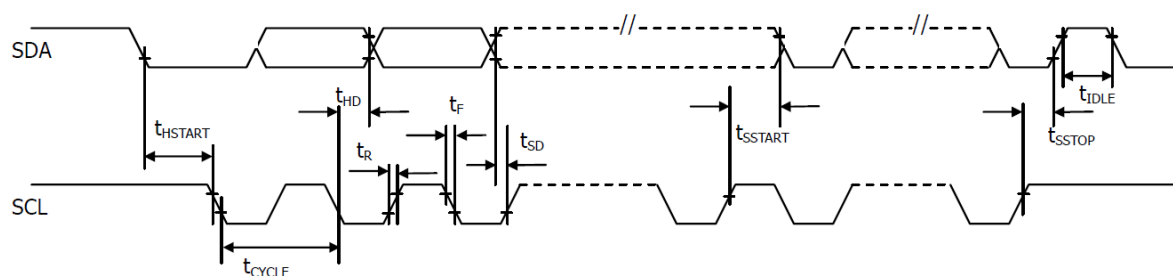
|             |              |        |
|-------------|--------------|--------|
| Product No. | DD-4C20YW-1A | REV. B |
|             |              |        |

|      |         |
|------|---------|
| Page | 17 / 41 |
|------|---------|

### 3.5.1.4 I<sup>2</sup>C Interface Timing Characteristics

| Symbol              | Description  | Min | Max | Unit |
|---------------------|--|-----|-----|------|
| $t_{\text{cycle}}$  | Clock Cycle Time   | 2.5 | -   | us   |
| $t_{\text{HSTART}}$ | Start Condition Hold Time  | 0.6 | -   | us   |
| $t_{\text{HD}}$     | Data Hold Time (for "SDAOUT" Pin) Data                                       | 5   | -   | ns   |
|                     | Hold Time (for "SDAIN" Pin)  | 300 |     |      |
| $t_{\text{SD}}$     | Data Setup Time  | 100 | -   | ns   |
| $t_{\text{SSTART}}$ | Start Condition Setup Time<br>(Only relevant for a repeated Start condition) | 0.6 | -   | us   |
| $t_{\text{SSTOP}}$  | Stop Condition Setup Time  | 0.6 | -   | us   |
| $t_{\text{R}}$      | Rise Time for Data and Clock Pin   |     | 300 | ns   |
| $t_{\text{F}}$      | Fall Time for Data and Clock Pin   |     | 300 | ns   |
| $t_{\text{IDLE}}$   | Idle Time before a New Transmission can Start                                | 1.3 | -   | us   |

\*( $V_{\text{DDIO}} - V_{\text{SS}} = 2.4\text{V to } 3.6\text{V} / 4.4\text{V to } 5.5\text{V}$ ,  $T_{\text{a}} = 25\text{ }^{\circ}\text{C}$ )



|             |              |        |
|-------------|--------------|--------|
| Product No. | DD-4C20YW-1A | REV. B |
|             |              |        |

|      |         |
|------|---------|
| Page | 18 / 41 |
|------|---------|

## 4 OPTICAL SPECIFICATION

### 4.1 OPTICAL CHARACTERISTICS

| Characteristics    | Symbol          | Condition   | Min  | Typ       | Max  | Unit              |
|--------------------|-----------------|-------------|------|-----------|------|-------------------|
| Brightness         | L <sub>br</sub> | Note 1      | 100  | 120       | -    | cd/m <sup>2</sup> |
| C.I.E.(Yellow)     | (X)             | C.I.E. 1931 | 0.46 | 0.50      | 0.54 | -                 |
|                    | (Y)             |             | 0.45 | 0.49      | 0.53 |                   |
| Dark Room Contrast | CR              |             | -    | >10,000:1 | -    | -                 |
| Viewing Angle      |                 |             | -    | Free      | -    | degree            |

Optical measurement taken at V<sub>DD</sub> = 2.8V or 5.0V, V<sub>CC</sub> = 12.0V.

Software configuration follows Section 5.4 Actual Application Example

Note 1 Brightness (L<sub>br</sub>) and Supply Voltage for Display (V<sub>CC</sub>) are subject to the change of the panel characteristics and the customers request

|             |              |        |
|-------------|--------------|--------|
| Product No. | DD-4C20YW-1A | REV. B |
|             |              |        |

|      |         |
|------|---------|
| Page | 19 / 41 |
|------|---------|

## 5 FUNCTIONAL SPECIFICATION

### 5.1 COMMANDS

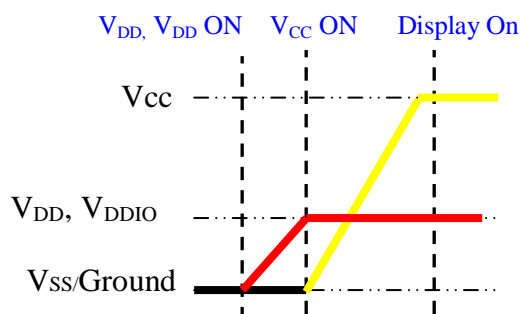
Please refer to the Technical Manual for the US2066

### 5.2 POWER UP/DOWN SEQUENCE

To protect panel and extend the panel lifetime, the driver IC power up/down routine should include a delay period between high voltage and low voltage power sources during turn on/off. It gives the panel enough time to complete the action of charge and discharge before/after the operation.

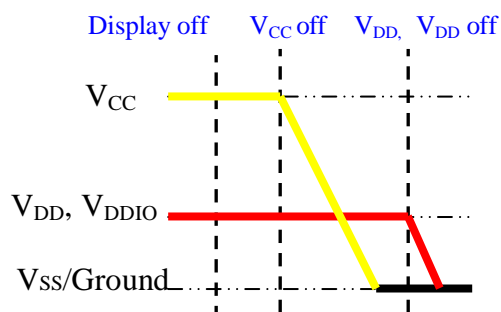
#### 5.2.1 POWER UP SEQUENCE

1. Power up  $V_{DD}$  and  $V_{DDIO}$
2. Send Display off command
3. Initialization
4. Clear Screen
5. Power up  $V_{CC}$
6. Delay 100ms  
(When  $V_{CC}$  is stable)
7. Send Display on command



#### 5.2.2 POWER DOWN SEQUENCE

1. Send Display off command
2. Power down  $V_{CC}$
3. Delay 100ms  
(When  $V_{CC}$  reaches 0 and panel is completely discharged)
4. Power down  $V_{DD}$  and  $V_{DDIO}$



Conditions:

- 1) Since an ESD protection circuit is connected between  $V_{DD}$ ,  $V_{DDIO}$  and  $V_{CC}$  inside the driver IC,  $V_{CC}$  becomes lower than  $V_{DD}$  &  $V_{DDIO}$  whenever  $V_{DD}$  &  $V_{DDIO}$  is ON and  $V_{CC}$  is OFF.
- 2)  $V_{CC}$  should be kept float (disable) when it is OFF.
- 3) Power Pins ( $V_{DD}$ ,  $V_{DDIO}$ ,  $V_{CC}$ ) can never be pulled to ground under any circumstance.
- 4)  $V_{DD}$  &  $V_{DDIO}$  should not be power down before  $V_{CC}$  power down.

|             |              |        |
|-------------|--------------|--------|
| Product No. | DD-4C20YW-1A | REV. B |
|             |              |        |

|      |         |
|------|---------|
| Page | 20 / 41 |
|------|---------|

### 5.3 RESET CIRCUIT

---

When RES# input is low, the chip is initialized with the following status:

1. Display is off
2. 5X8 Character Mode
3. Display start position is set at display RAM address 0
4. CGRAM address counter is set at 0
5. Cursor is OFF
6. Blink is OFF
7. Contrast control register is set at 7Fh
8. OLED command set is disabled

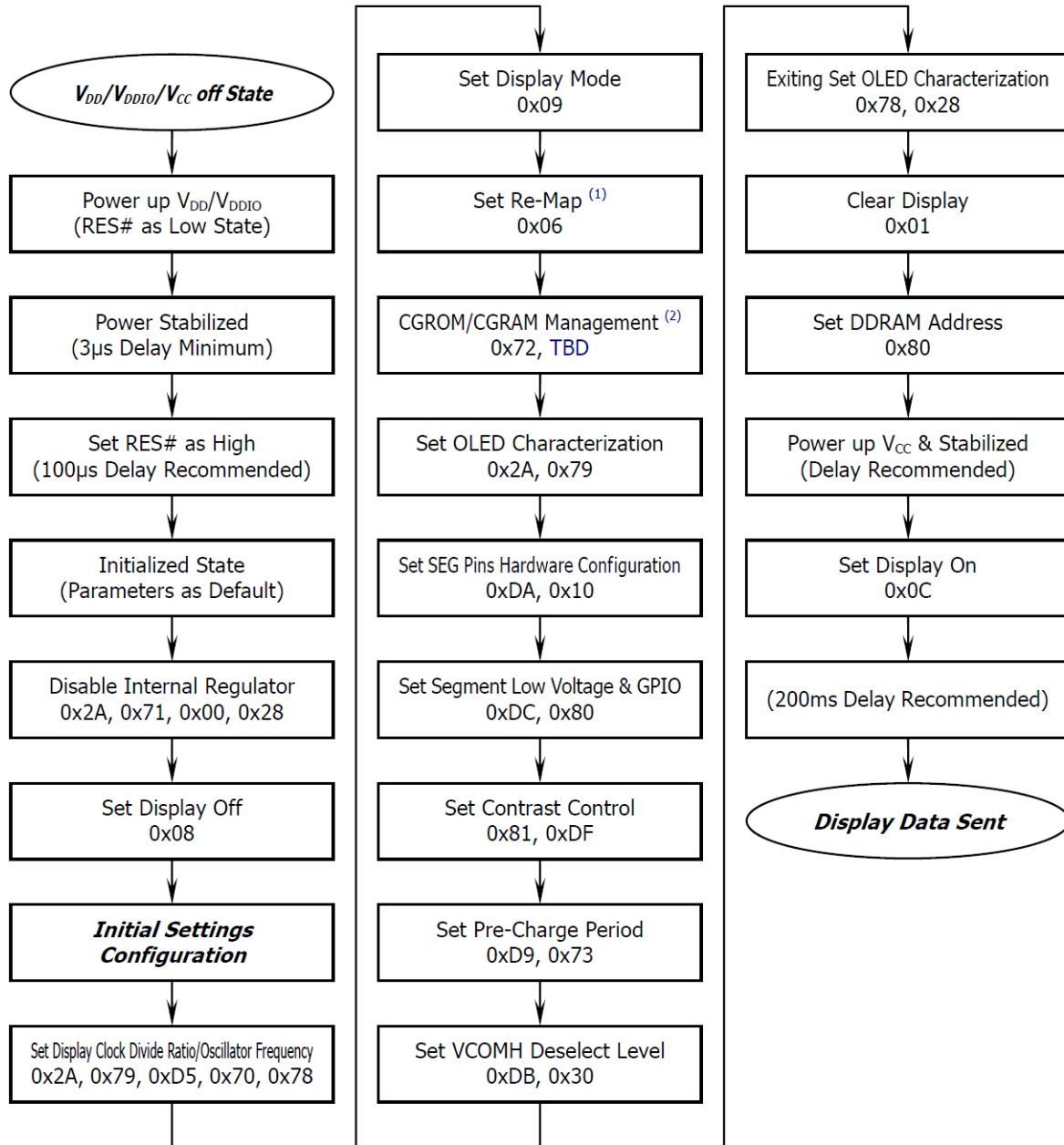
|             |              |        |
|-------------|--------------|--------|
| Product No. | DD-4C20YW-1A | REV. B |
|             |              |        |

|      |         |
|------|---------|
| Page | 21 / 41 |
|------|---------|

## 5.4 ACTUAL APPLICATION EXAMPLE

Command usage and explanation of an actual example

### 5.4.1 Low Voltage I/O Application



(1) This command could be programmable or defined by pin configuration.

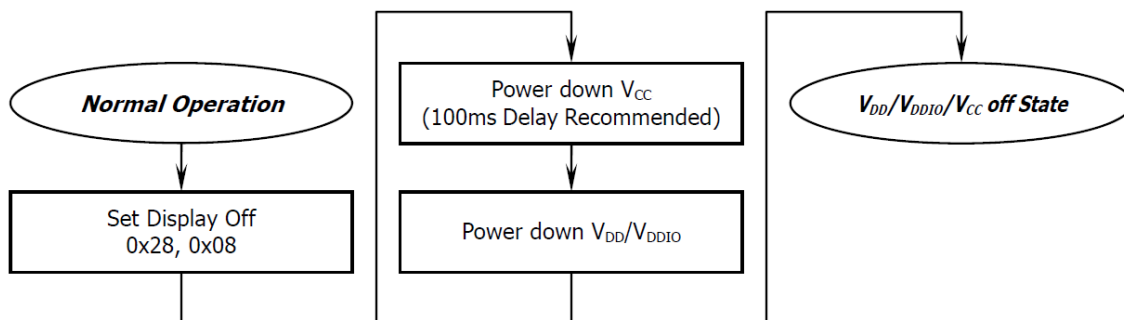
(2) This command could be programmable or defined by pin configuration. The written value of the parameter should depend on the selection from section 5.5 and 5.6

If the noise is accidentally occurred at the displaying window during the operation, please reset the display in order to recover the display function.

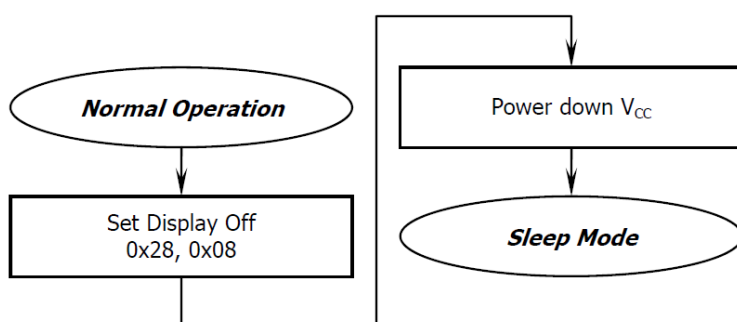
|             |              |        |
|-------------|--------------|--------|
| Product No. | DD-4C20YW-1A | REV. B |
|             |              |        |

|      |         |
|------|---------|
| Page | 22 / 41 |
|------|---------|

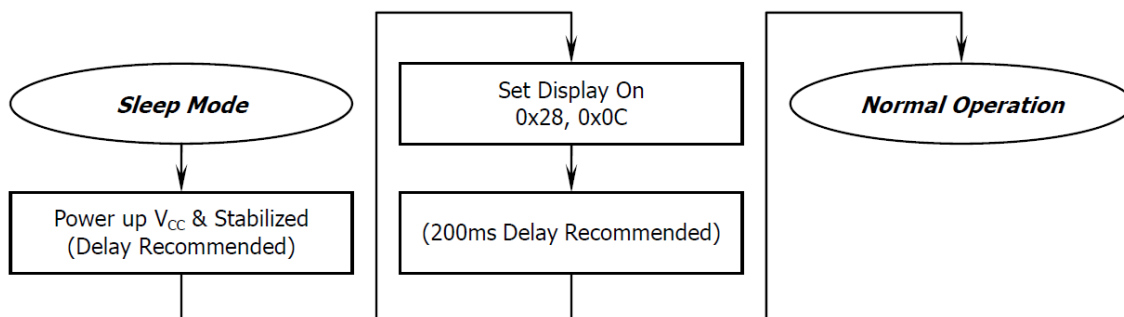
<Power down Sequence>



<Entering Sleep Mode>



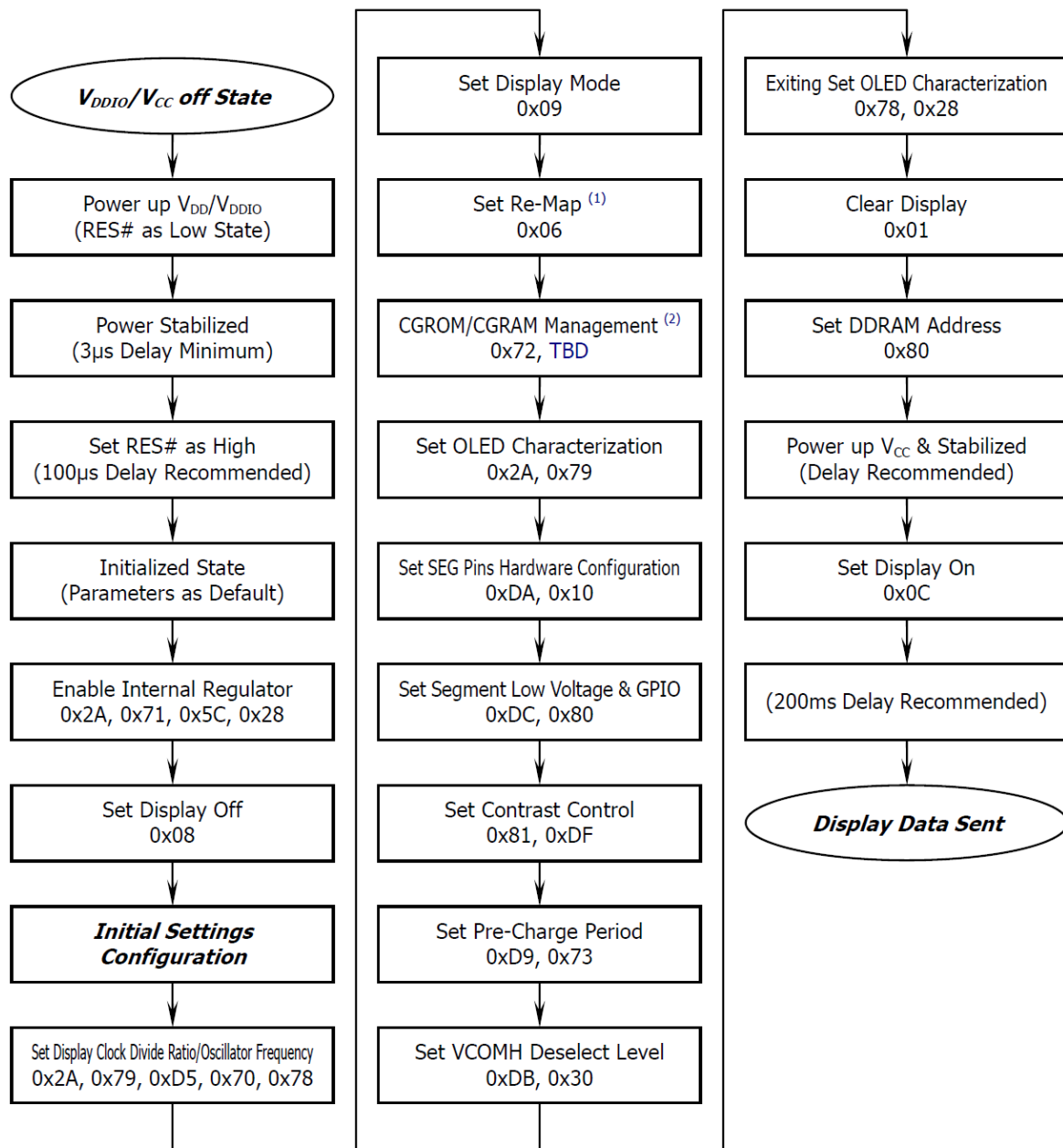
<Exiting Sleep Mode>



|             |              |        |
|-------------|--------------|--------|
| Product No. | DD-4C20YW-1A | REV. B |
|             |              |        |

|      |         |
|------|---------|
| Page | 23 / 41 |
|------|---------|

### 5.4.2 5V I/O Application



(1) This command could be programmable or defined by pin configuration.

(2) This command could be programmable or defined by pin configuration. The written value of the parameter should depend on the selection from section 5.5 and 5.6

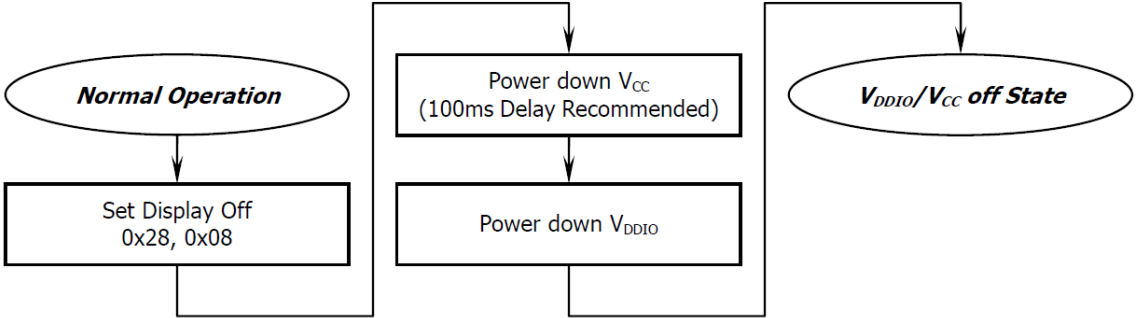
If the noise is accidentally occurred at the displaying window during the operation, please reset the display in order to recover the display function.

|             |              |        |
|-------------|--------------|--------|
| Product No. | DD-4C20YW-1A | REV. B |
|             |              |        |

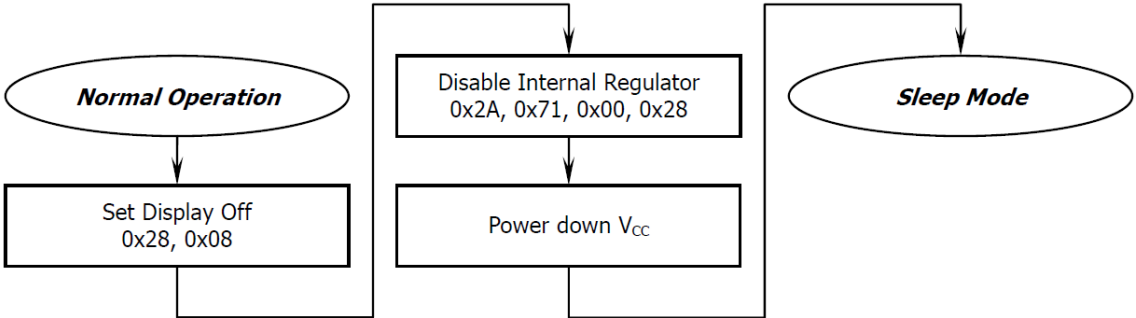
|      |         |
|------|---------|
| Page | 24 / 41 |
|------|---------|



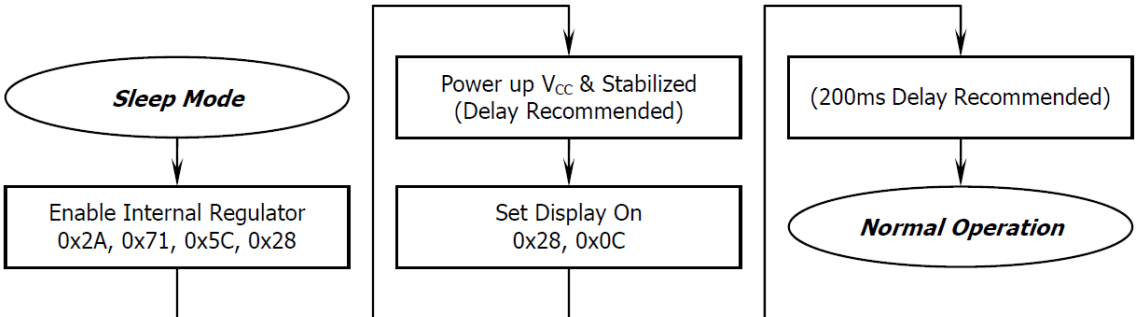
<Power down Sequence>



<Entering Sleep Mode>



<Exiting Sleep Mode>



|             |              |        |
|-------------|--------------|--------|
| Product No. | DD-4C20YW-1A | REV. B |
|             |              |        |

|      |         |
|------|---------|
| Page | 25 / 41 |
|------|---------|

**5.5 BUILD-IN CGROM (CHARACTER GENERATOR ROM)**

**5.5.1 ROMA**

ROM A (ROM[1:0] = [0:0])

| b7-a<br>b3-0 | 0000 | 0001 | 0010 | 0011 | 0100 | 0101 | 0110 | 0111 | 1000 | 1001 | 1010 | 1011 | 1100 | 1101 | 1110 | 1111 |
|--------------|------|------|------|------|------|------|------|------|------|------|------|------|------|------|------|------|
| 0000         |      |      |      |      |      |      |      |      |      |      |      |      |      |      |      |      |
| 0001         |      |      |      |      |      |      |      |      |      |      |      |      |      |      |      |      |
| 0010         |      |      |      |      |      |      |      |      |      |      |      |      |      |      |      |      |
| 0011         |      |      |      |      |      |      |      |      |      |      |      |      |      |      |      |      |
| 0100         |      |      |      |      |      |      |      |      |      |      |      |      |      |      |      |      |
| 0101         |      |      |      |      |      |      |      |      |      |      |      |      |      |      |      |      |
| 0110         |      |      |      |      |      |      |      |      |      |      |      |      |      |      |      |      |
| 0111         |      |      |      |      |      |      |      |      |      |      |      |      |      |      |      |      |
| 1000         |      |      |      |      |      |      |      |      |      |      |      |      |      |      |      |      |
| 1001         |      |      |      |      |      |      |      |      |      |      |      |      |      |      |      |      |
| 1010         |      |      |      |      |      |      |      |      |      |      |      |      |      |      |      |      |
| 1011         |      |      |      |      |      |      |      |      |      |      |      |      |      |      |      |      |
| 1100         |      |      |      |      |      |      |      |      |      |      |      |      |      |      |      |      |
| 1101         |      |      |      |      |      |      |      |      |      |      |      |      |      |      |      |      |
| 1110         |      |      |      |      |      |      |      |      |      |      |      |      |      |      |      |      |
| 1111         |      |      |      |      |      |      |      |      |      |      |      |      |      |      |      |      |

**Language:** English, Irish, Spanish, Dutch (2), Danish, Norwegian, Swedish, Finnish, Czech (7), Slovene, Hungarian (2), Turkish (1)

The number in the parentheses is showing how many letters might be needed to build and define additionally at CGRAM. The darker background is showing the maximum addresses (00h~07h) those could be allocated by OPR[1:0] setting.

|             |              |        |
|-------------|--------------|--------|
| Product No. | DD-4C20YW-1A | REV. B |
|             |              |        |

|      |         |
|------|---------|
| Page | 26 / 41 |
|------|---------|



5.5.2 ROMB

ROM B (ROM[1:0] = [0:1])

| b7-4<br>b3-0 | 0000 | 0001 | 0010 | 0011 | 0100 | 0101 | 0110 | 0111 | 1000 | 1001 | 1010 | 1011 | 1100 | 1101 | 1110 | 1111 |
|--------------|------|------|------|------|------|------|------|------|------|------|------|------|------|------|------|------|
| 0000         |      |      |      |      |      |      |      |      |      |      |      |      |      |      |      |      |
| 0001         |      |      |      |      |      |      |      |      |      |      |      |      |      |      |      |      |
| 0010         |      |      |      |      |      |      |      |      |      |      |      |      |      |      |      |      |
| 0011         |      |      |      |      |      |      |      |      |      |      |      |      |      |      |      |      |
| 0100         |      |      |      |      |      |      |      |      |      |      |      |      |      |      |      |      |
| 0101         |      |      |      |      |      |      |      |      |      |      |      |      |      |      |      |      |
| 0110         |      |      |      |      |      |      |      |      |      |      |      |      |      |      |      |      |
| 0111         |      |      |      |      |      |      |      |      |      |      |      |      |      |      |      |      |
| 1000         |      |      |      |      |      |      |      |      |      |      |      |      |      |      |      |      |
| 1001         |      |      |      |      |      |      |      |      |      |      |      |      |      |      |      |      |
| 1010         |      |      |      |      |      |      |      |      |      |      |      |      |      |      |      |      |
| 1011         |      |      |      |      |      |      |      |      |      |      |      |      |      |      |      |      |
| 1100         |      |      |      |      |      |      |      |      |      |      |      |      |      |      |      |      |
| 1101         |      |      |      |      |      |      |      |      |      |      |      |      |      |      |      |      |
| 1110         |      |      |      |      |      |      |      |      |      |      |      |      |      |      |      |      |
| 1111         |      |      |      |      |      |      |      |      |      |      |      |      |      |      |      |      |

**Language:** English, Irish, Portuguese, Spanish, French (1), Italian, German, Dutch (2), Icelandic, Danish, Norwegian, Swedish, Polish (8), Czech (8), Hungarian (2), Romanian (5), Turkish, Vietnamese (6), Russian (Small Letters)

The number in the parentheses is showing how many letters might be needed to build and define additionally at CGRAM. The darker background is showing the maximum addresses (00h~07h) those could be allocated by OPR[1:0] setting.

|             |              |        |
|-------------|--------------|--------|
| Product No. | DD-4C20YW-1A | REV. B |
|             |              |        |

|      |         |
|------|---------|
| Page | 27 / 41 |
|------|---------|



5.5.3 ROMC

ROM C (ROM[1:0] = [1:0])

| b7-0 | 0000 | 0001 | 0010 | 0011 | 0100 | 0101 | 0110 | 0111 | 1000 | 1001 | 1010 | 1011 | 1100 | 1101 | 1110 | 1111 |
|------|------|------|------|------|------|------|------|------|------|------|------|------|------|------|------|------|
| 0000 |      |      |      |      |      |      |      |      |      |      |      |      |      |      |      |      |
| 0001 |      |      |      |      |      |      |      |      |      |      |      |      |      |      |      |      |
| 0010 |      |      |      |      |      |      |      |      |      |      |      |      |      |      |      |      |
| 0011 |      |      |      |      |      |      |      |      |      |      |      |      |      |      |      |      |
| 0100 |      |      |      |      |      |      |      |      |      |      |      |      |      |      |      |      |
| 0101 |      |      |      |      |      |      |      |      |      |      |      |      |      |      |      |      |
| 0110 |      |      |      |      |      |      |      |      |      |      |      |      |      |      |      |      |
| 0111 |      |      |      |      |      |      |      |      |      |      |      |      |      |      |      |      |
| 1000 |      |      |      |      |      |      |      |      |      |      |      |      |      |      |      |      |
| 1001 |      |      |      |      |      |      |      |      |      |      |      |      |      |      |      |      |
| 1010 |      |      |      |      |      |      |      |      |      |      |      |      |      |      |      |      |
| 1011 |      |      |      |      |      |      |      |      |      |      |      |      |      |      |      |      |
| 1100 |      |      |      |      |      |      |      |      |      |      |      |      |      |      |      |      |
| 1101 |      |      |      |      |      |      |      |      |      |      |      |      |      |      |      |      |
| 1110 |      |      |      |      |      |      |      |      |      |      |      |      |      |      |      |      |
| 1111 |      |      |      |      |      |      |      |      |      |      |      |      |      |      |      |      |

Language: English, Dutch (2), Japanese, Greek (Small Letters)  
 The number in the parentheses is showing how many letters might be needed to build and define additionally at CGRAM. The darker background is showing the maximum addresses (00h~07h) those could be allocated by OPR[1:0] setting.

|             |              |        |
|-------------|--------------|--------|
| Product No. | DD-4C20YW-1A | REV. B |
|             |              |        |

|      |         |
|------|---------|
| Page | 28 / 41 |
|------|---------|

## 5.6 SELF-DEFINED CGRAM (CHARACTER GENERATOR RAM)

8 Addresses Available for Self-Defined Characters (OPR[1:0] = [0:0])

| b3-0<br>b7-4 | 0000 | 0001 | 0010 | 0011 | 0100 | 0101 | 0110 | 0111 | 1000 | 1001 | 1010 | 1011 | 1100 | 1101 | 1110 | 1111 |
|--------------|------|------|------|------|------|------|------|------|------|------|------|------|------|------|------|------|
| 0000         |      |      |      |      |      |      |      |      |      |      |      |      |      |      |      |      |
| 0001         |      |      |      |      |      |      |      |      |      |      |      |      |      |      |      |      |

8 Addresses Available for Self-Defined Characters (OPR[1:0] = [0:1])

| b3-0<br>b7-4 | 0000 | 0001 | 0010 | 0011 | 0100 | 0101 | 0110 | 0111 | 1000 | 1001 | 1010 | 1011 | 1100 | 1101 | 1110 | 1111 |
|--------------|------|------|------|------|------|------|------|------|------|------|------|------|------|------|------|------|
| 0000         |      |      |      |      |      |      |      |      |      |      |      |      |      |      |      |      |
| 0001         |      |      |      |      |      |      |      |      |      |      |      |      |      |      |      |      |

6 Addresses Available for Self-Defined Characters (OPR[1:0] = [1:0])

| b3-0<br>b7-4 | 0000 | 0001 | 0010 | 0011 | 0100 | 0101 | 0110 | 0111 | 1000 | 1001 | 1010 | 1011 | 1100 | 1101 | 1110 | 1111 |
|--------------|------|------|------|------|------|------|------|------|------|------|------|------|------|------|------|------|
| 0000         |      |      |      |      |      |      |      |      |      |      |      |      |      |      |      |      |
| 0001         |      |      |      |      |      |      |      |      |      |      |      |      |      |      |      |      |

0 Address Available for Self-Defined Characters (OPR[1:0] = [1:1])

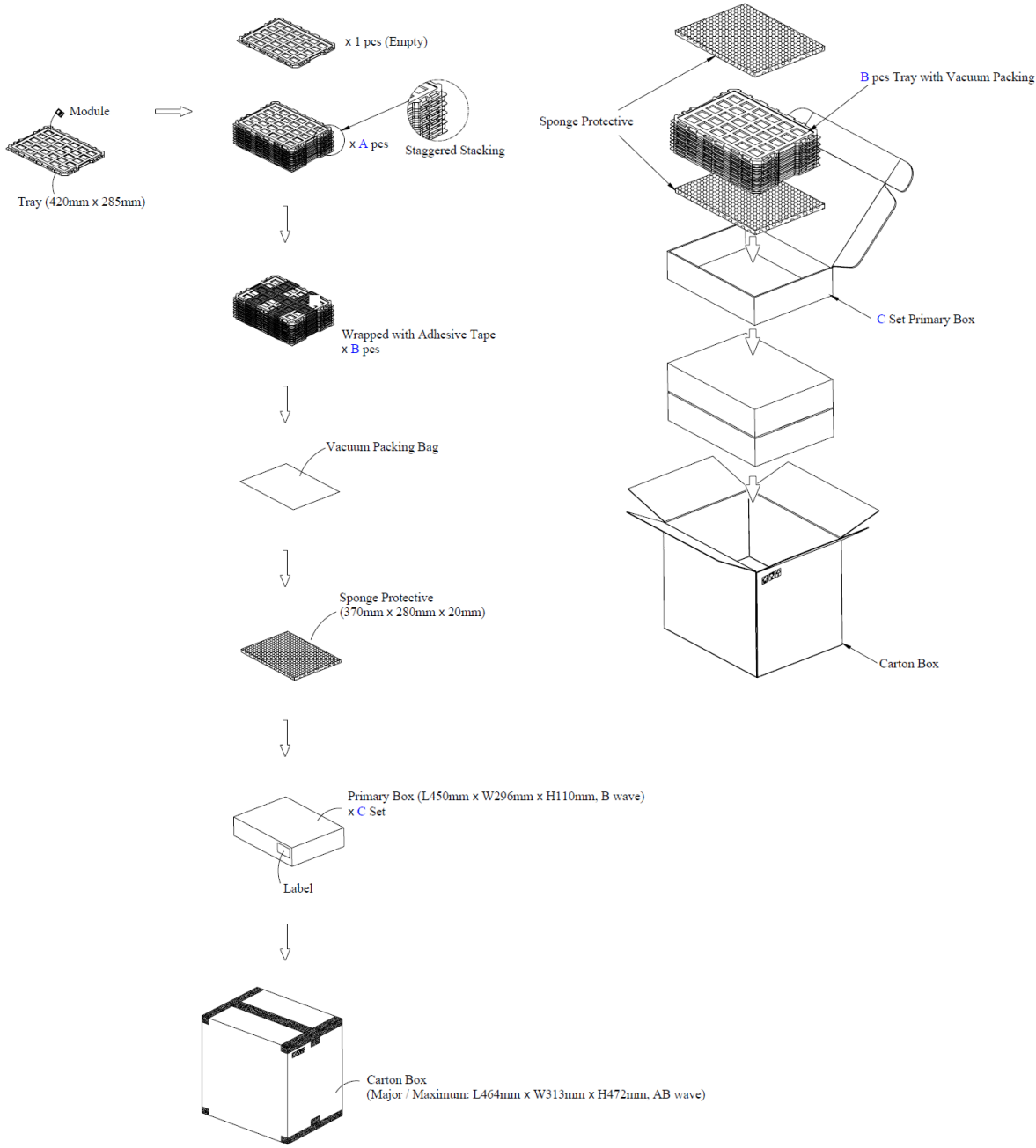
| b3-0<br>b7-4 | 0000 | 0001 | 0010 | 0011 | 0100 | 0101 | 0110 | 0111 | 1000 | 1001 | 1010 | 1011 | 1100 | 1101 | 1110 | 1111 |
|--------------|------|------|------|------|------|------|------|------|------|------|------|------|------|------|------|------|
| 0000         |      |      |      |      |      |      |      |      |      |      |      |      |      |      |      |      |
| 0001         |      |      |      |      |      |      |      |      |      |      |      |      |      |      |      |      |

|             |              |        |
|-------------|--------------|--------|
| Product No. | DD-4C20YW-1A | REV. B |
|             |              |        |

|      |         |
|------|---------|
| Page | 29 / 41 |
|------|---------|



## 6 PACKAGING AND LABELLING SPECIFICATION



| Item              | Quantity                                    |
|-------------------|---|
| Module            | 320 per Primary Box                         |
| Holding Trays (A) | 20 per Primary Box                          |
| Total Trays (B)   | 21 per Primary Box (Including 1 Empty Tray) |
| Primary Box (C)   | 1~4 per Carton (4 as Major / Maximum)       |

|             |              |        |
|-------------|--------------|--------|
| Product No. | DD-4C20YW-1A | REV. B |
|             |              |        |

|      |         |
|------|---------|
| Page | 30 / 41 |
|------|---------|

## 7 QUALITY ASSURANCE SPECIFICATION

### 7.1 CONFORMITY

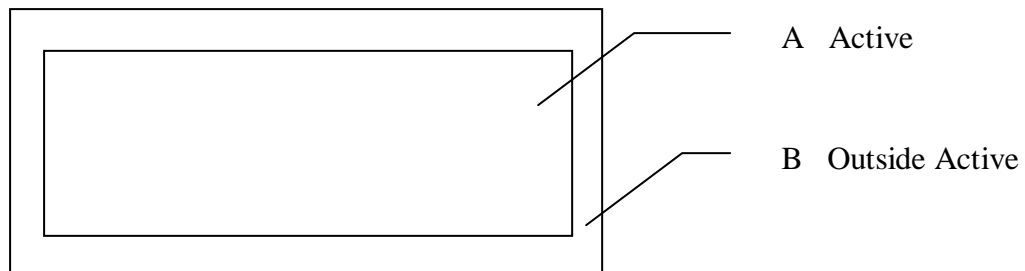
The performance, function and reliability of the shipped products conform to the Product Specification.

### 7.2 DELIVERY ASSURANCE

#### 7.2.1 DELIVERY INSPECTION STANDARDS

IPC-AA610, class 2 electronic assemblies standard

#### 7.2.2 Zone definition



#### 7.2.3 Visual inspection

Test and measurement to be conducted under following conditions :

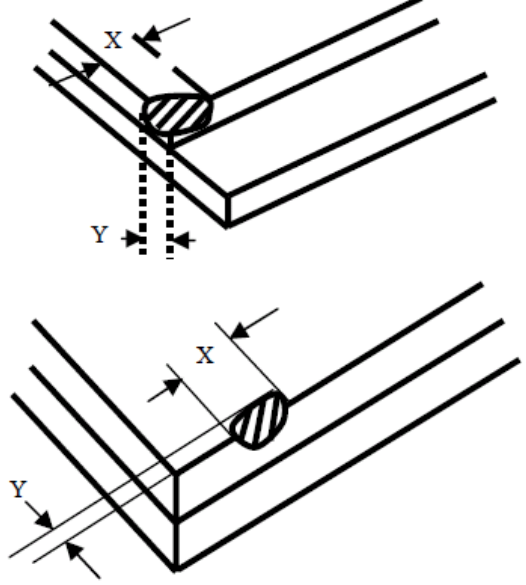
|   |          |
|---|----------|
| Temperature:  | 23±5°C   |
| Humidity:   | 55±15%RH |
| Fluorescent lamp:   | 30 W     |
| Distance between the Panel & Eyes of the Inspector:           | ≥30cm    |
| Distance between the Panel & the lamp:                        | ≥50cm    |
| Finger glove (or finger cover) must be worn by the inspector. |          |
| Inspection table or jig must be anti-electrostatic            |          |

|             |              |        |
|-------------|--------------|--------|
| Product No. | DD-4C20YW-1A | REV. B |
|             |              |        |

|      |         |
|------|---------|
| Page | 31 / 41 |
|------|---------|

### 7.2.4 Standard of appearance inspection

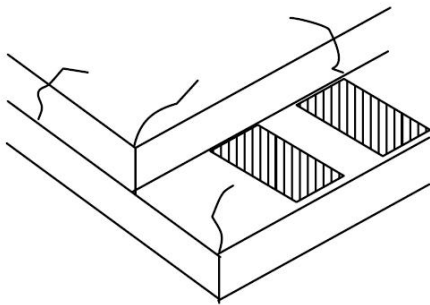

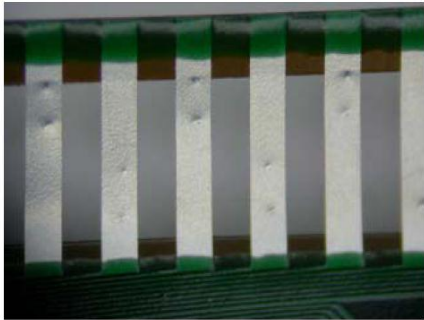
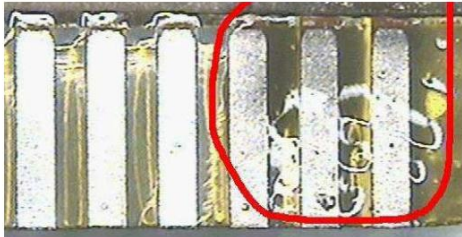
| Partition | AQL  | Definition                              |
|-----------|------|---|
| Major     | 0.65 | Defects in Pattern Check (Display On)   |
| Minor     | 1.0  | Defects in Cosmetic Check (Display Off) |

| Check Item                | Classification | Criteria  |
|---------------------------|----------------|---|
| Panel<br>General Chipping | Minor          | <p> <math>X &gt; 6 \text{ mm}</math> (Along with Edge)<br/> <math>Y &gt; 1 \text{ mm}</math> (Perpendicular to edge) </p>  |

|             |              |        |
|-------------|--------------|--------|
| Product No. | DD-4C20YW-1A | REV. B |
|             |              |        |

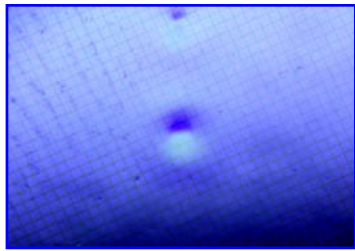
|      |         |
|------|---------|
| Page | 32 / 41 |
|------|---------|



| Check Item  | Classification | Criteria  |
|---|----------------|---|
| Panel Crack   | Minor          | <p>Any crack is not allowable.</p>  |
| Copper Exposed (Even Pin or Film)                             | Minor          | Not Allowable by Naked Eye Inspection   |
| Film or Trace Damage  | Minor          |                                    |
| Terminal Lead Prober Mark                                     | Acceptable     |                                   |
| Glue or Contamination on Pin (Couldn't Be Removed by Alcohol) | Minor          |                                   |
| Ink Marking on Back Side of panel (Exclude on Film)           | Acceptable     | Ignore for Any  |

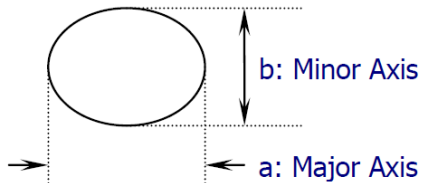
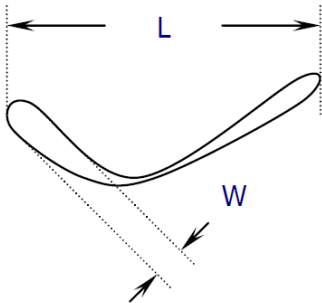
|             |              |        |
|-------------|--------------|--------|
| Product No. | DD-4C20YW-1A | REV. B |
|-------------|--------------|--------|

|      |         |
|------|---------|
| Page | 33 / 41 |
|------|---------|

| Check Item  | Classification | Criteria   |
|---|----------------|--|
| Any Dirt & Scratch on Polarizer's Protective Film             | Acceptable     | Ignore for not Affect the Polarizer  |
| Scratches, Fiber, Line-Shape Defect (On Polarizer)            | Minor          | $W \leq 0.1$ Ignore<br>$W > 0.1$<br>$L \leq 2$ $n \leq 1$<br>$L > 2$ $n = 0$   |
| Dirt, Black Spot, Foreign Material, (On Polarizer)            | Minor          | $\Phi \leq 0.1$ Ignore<br>$0.1 < \Phi \leq 0.25$ $n \leq 1$<br>$0.25 < \Phi$ $n = 0$   |
| Dent, Bubbles, White spot (Any Transparent Spot on Polarizer) | Minor          | $\Phi \leq 0.5$<br>→ Ignore if no Influence on Display<br>$0.5 < \Phi$ $n = 0$<br> |
| Fingerprint, Flow Mark (On Polarizer)                         | Minor          | Not Allowable  |


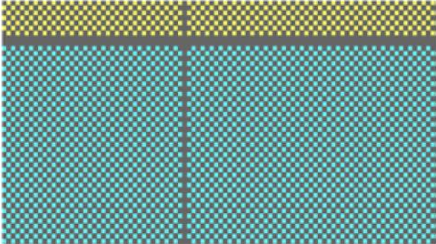
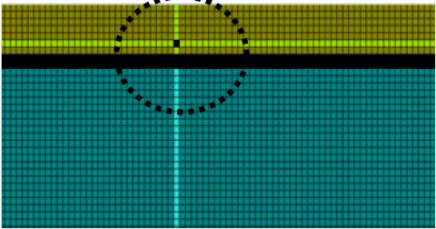
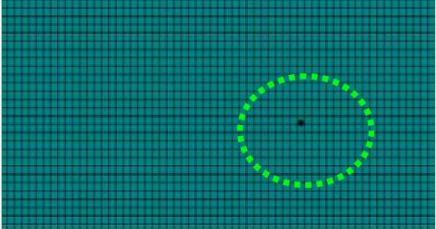
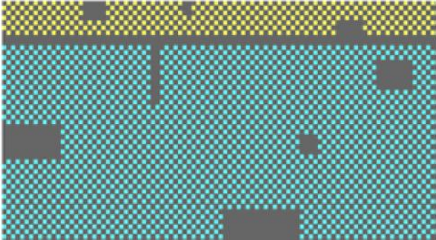
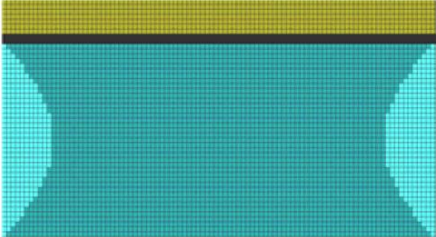
\* Protective film should not be tear off when cosmetic check.

\*\* Definition of W & L &  $\Phi$  (Unit: mm):  $\Phi = (a + b) / 2$



|             |              |        |
|-------------|--------------|--------|
| Product No. | DD-4C20YW-1A | REV. B |
|             |              |        |

|      |         |
|------|---------|
| Page | 34 / 41 |
|------|---------|

| Check Item    | Classification | Criteria   |
|---------------|----------------|--|
| No Display    | Major          |    |
| Missing Line  | Major          |    |
| Pixel Short   | Major          |   |
| Darker Pixel  | Major          |  |
| Wrong Display | Major          |  |
| Un-uniform    | Major          |  |

## **7.3 DEALING WITH CUSTOMER COMPLAINTS**

---

### **7.3.1 Non-conforming analysis**

Purchaser should supply Densitron with detailed data of non-conforming sample.

After accepting it, Densitron should complete the analysis in two weeks from receiving the sample.

If the analysis cannot be completed on time, Densitron must inform the purchaser.

### **7.3.2 Handling of non-conforming displays**

If any non-conforming displays are found during customer acceptance inspection which Densitron is clearly responsible for, return them to Densitron.

Both Densitron and customer should analyse the reason and discuss the handling of non-conforming displays when the reason is not clear.

Equally, both sides should discuss and come to agreement for issues pertaining to modification of Densitron quality assurance standard.

|             |              |        |
|-------------|--------------|--------|
| Product No. | DD-4C20YW-1A | REV. B |
|             |              |        |

|      |         |
|------|---------|
| Page | 36 / 41 |
|------|---------|

## 8 RELIABILITY SPECIFICATION

### 8.1 RELIABILITY TESTS

| Test Item                                | Test Condition                             | Criteria                        |
|--|--|---------------------------------|
| High Temperature Operation               | 85°C, 240 hours                            | The operational functions work. |
| Low Temperature Operation                | -40°C, 240 hours                           |                                 |
| High Temperature Storage                 | 90°C, 240 hours                            |                                 |
| Low Temperature Storage                  | -40°C, 240 hours                           |                                 |
| High Temperature & High Humidity Storage | 60°C, 90% RH, 240hours                     |                                 |
| Thermal Shock                            | -40°C ⇔ 85°C, 100 cycles.<br>60 mins dwell |                                 |

- The samples used for above tests do not include polarizer.
- No moisture condensation is observed during tests.

#### 8.1.1 FAILURE CHECK STANDARD

After the completion of the described reliability test, the samples were left at room temperature for 2 hrs prior to conducting the failure test at 23±5 °C; 55±15% RH

### 8.2 LIFE TIME

| Item | Description  |
|------|--|
| 1    | Function, performance, appearance, etc. shall be free from remarkable deterioration more than 30,000 hours under 80 cd/m <sup>2</sup> brightness and 50% Checkerboard, humidity (50% RH), and in area not exposed to direct sunlight. Vcc=12.0V, Ta=25°C, 50% Checkerboard. Software configuration follows Section 5.4 Initialization. |
| 2    | End of lifetime is specified as 50% of initial brightness. The average operating lifetime at room temperature is estimated by the accelerated operation at high temperature conditions.  |

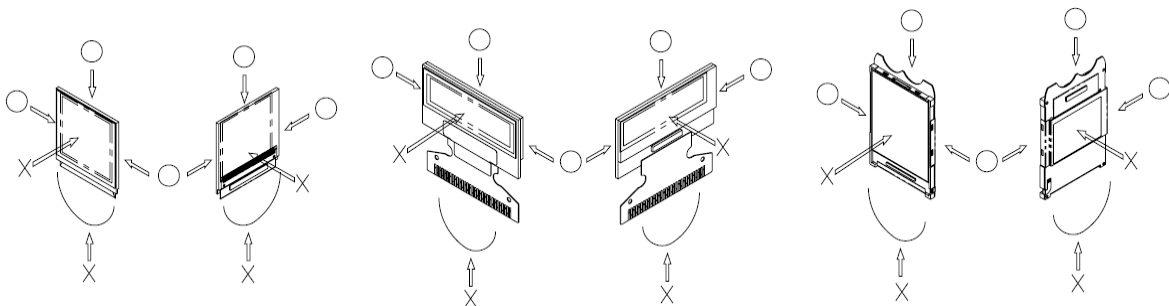
|             |              |        |
|-------------|--------------|--------|
| Product No. | DD-4C20YW-1A | REV. B |
|             |              |        |

|      |         |
|------|---------|
| Page | 37 / 41 |
|------|---------|

## 9 HANDLING PRECAUTIONS

### 9.1 HANDLING PRECAUTIONS

- 1) Since the display panel is being made of glass, do not apply mechanical impacts such as dropping from a high position.
- 2) If the display panel is broken by some accident and the internal organic substance leaks out, be careful not to inhale nor lick the organic substance.
- 3) If pressure is applied to the display surface or its neighborhood of the OEL display module, the cell structure may be damaged and be careful not to apply pressure to these sections.
- 4) The polarizer covering the surface of the OEL display module is soft and easily scratched. Please be careful when handling the OEL display module.
- 5) When the surface of the polarizer of the OEL display module has soil, clean the surface. It takes advantage of by using following adhesion tape.
  - \* Scotch Mending Tape No. 810 or an equivalent
 Never try to breathe upon the soiled surface nor wipe the surface using cloth containing solvent such as ethyl alcohol, since the surface of the polarizer will become cloudy.  
 Also, pay attention that the following liquid and solvent may spoil the polarizer:
  - \* Water
  - \* Ketone
  - \* Aromatic Solvents
- 6) Hold OEL display module very carefully when placing OEL display module into the system housing. Do not apply excessive stress or pressure to OEL display module. And, do not over bend the film with electrode pattern layouts. These stresses will influence the display performance. Also, secure sufficient rigidity for the outer cases.



- 7) Do not apply stress to the LSI chips and the surrounding molded sections.
- 8) Do not disassemble nor modify the OEL display module.
- 9) Do not apply input signals while the logic power is off.
- 10) Pay sufficient attention to the working environments when handing OEL display modules to prevent occurrence of element breakage accidents by static electricity.
  - \* Be sure to make human body grounding when handling OEL display modules.
  - \* Be sure to ground tools to use or assembly such as soldering irons.
  - \* To suppress generation of static electricity, avoid carrying out assembly work under dry environments.

|             |              |        |
|-------------|--------------|--------|
| Product No. | DD-4C20YW-1A | REV. B |
|             |              |        |

|      |         |
|------|---------|
| Page | 38 / 41 |
|------|---------|



\* Protective film is being applied to the surface of the display panel of the OEL display module. Be careful since static electricity may be generated when exfoliating the protective film.

- 11) Protection film is being applied to the surface of the display panel and removes the protection film before assembling it. At this time, if the OEL display module has been stored for a long period of time, residue adhesive material of the protection film may remain on the surface of the display panel after removed of the film. In such case, remove the residue material by the method introduced in the above Section 5).
- 12) If electric current is applied when the OEL display module is being dewed or when it is placed under high humidity environments, the electrodes may be corroded and be careful to avoid the above.

## **9.2 STORAGE PRECAUTIONS**

---

- 1) When storing OEL display modules, put them in static electricity preventive bags avoiding exposure to direct sun light nor to lights of fluorescent lamps, etc. and, also, avoiding high temperature and high humidity environments or low temperature (less than 0°C) environments. (We recommend you to store these modules in the packaged state when they were shipped from Densitron Technologies Plc.) At that time, be careful not to let water drops adhere to the packages or bags nor let dewing occur with them.
- 2) If electric current is applied when water drops are adhering to the surface of the OEL display module, when the OEL display module is being dewed or when it is placed under high humidity environments, the electrodes may be corroded and be careful about the above.

## **9.3 DESIGNING PRECAUTIONS**

---

- 1) The absolute maximum ratings are the ratings which cannot be exceeded for OEL display module, and if these values are exceeded, panel damage may be happen.
- 2) To prevent occurrence of malfunctioning by noise, pay attention to satisfy the VIL and VIH specifications and, at the same time, to make the signal line cable as short as possible.
- 3) We recommend you to install excess current preventive unit (fuses, etc.) to the power circuit ( $V_{DD}$ ). (Recommend value: 0.5A)
- 4) Pay sufficient attention to avoid occurrence of mutual noise interference with the neighboring devices.
- 5) As for EMI, take necessary measures on the equipment side basically.
- 6) When fastening the OEL display module, fasten the external plastic housing section.
- 7) If power supply to the OEL display module is forcibly shut down by such errors as taking out the main battery while the OEL display panel is in operation, we cannot guarantee the quality of this OEL display module.
- 8) The electric potential to be connected to the rear face of the IC chip should be as follows: US2066  
\* Connection (contact) to any other potential than the above may lead to rupture of the IC.

|             |              |        |
|-------------|--------------|--------|
| Product No. | DD-4C20YW-1A | REV. B |
|             |              |        |

|      |         |
|------|---------|
| Page | 39 / 41 |
|------|---------|

## 9.4 OTHER PRECAUTIONS

---

- 1) When an OEL display module is operated for a long of time with fixed pattern may remain as an after image or slight contrast deviation may occur. Nonetheless, if the operation is interrupted and left unused for a while, normal state can be restored. Also, there will be no problem in the reliability of the module.
- 2) To protect OEL display modules from performance drops by static electricity rapture, etc., do not touch the following sections whenever possible while handling the OEL display modules.
  - \* Pins and electrodes
  - \* Pattern layouts such as the FPC
- 3) With this OEL display module, the OEL driver is being exposed. Generally speaking, semiconductor elements change their characteristics when light is radiated according to the principle of the solar battery. Consequently, if this OEL driver is exposed to light, malfunctioning may occur.
  - \* Design the product and installation method so that the OEL driver may be shielded from light in actual usage.
  - \* Design the product and installation method so that the OEL driver may be shielded from light during the inspection processes.
- 4) Although this OEL display module stores the operation state data by the commands and the indication data, when excessive external noise, etc. enters into the module, the internal status may be changed. It therefore is necessary to take appropriate measures to suppress noise generation or to protect from influences of noise on the system design.
- 5) We recommend you to construct its software to make periodical refreshment of the operation statuses (re-setting of the commands and re-transference of the display data) to cope with catastrophic noise.

|             |              |        |
|-------------|--------------|--------|
| Product No. | DD-4C20YW-1A | REV. B |
|             |              |        |

|      |         |
|------|---------|
| Page | 40 / 41 |
|------|---------|



## 10 SUPPORTED ACCESSORIES

### 10.1 DUO KIT

---

Densitron has developed an easy to use yet powerful development and demonstration tool for driving its range of Passive Matrix OLED displays from the USB port of a PC. DUO (Densitron USB OLED) kit is hot pluggable and does not require extra cables or power supply to run, allowing users to be up and running in minutes.

The kit consists of an OLED display with transition Board, USB controller card, mini USB cable and a CD with software application and drivers.



**Part number: UNDER DEVELOPMENT**

### 10.1 TRANSITION BOARD CARD

---

A Transition board card is like a daughterboard which is meant to be a circuit board for connections between the baseboards (DUO).

It has connector pins for interfacing between the display and the baseboards.

It also includes the OLED display.

**Part number: UNDER DEVELOPMENT**

### 10.2 CONNECTOR BOARD CARD

---

A Connector board card is also a daughterboard which is a circuit board for connection between a microprocessor or microcontroller (customer's system).

**Part number: UNDER DEVELOPMENT**

### 10.3 CONNECTOR

---

Type: hot bar soldering process

No. of connections: 33

Pitch: 0.70mm

### 10.4 APPLICATION NOTES AND EXAMPLE CODES

---

**On request to Densitron**

|             |              |        |
|-------------|--------------|--------|
| Product No. | DD-4C20YW-1A | REV. B |
|             |              |        |

|      |         |
|------|---------|
| Page | 41 / 41 |
|------|---------|