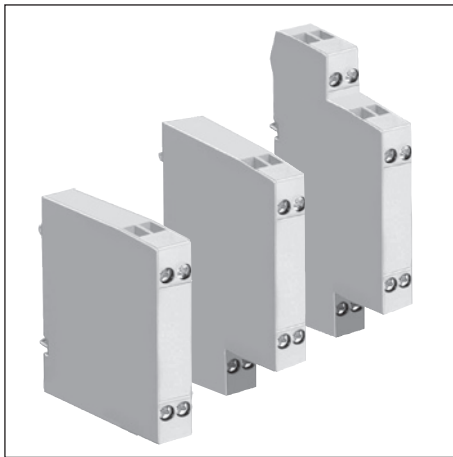
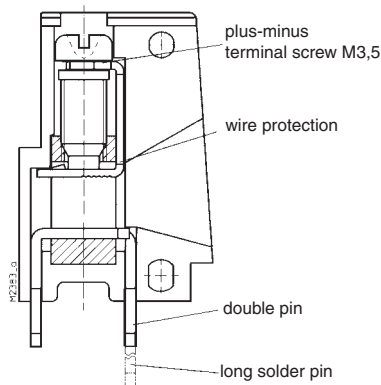


Insulated Enclosure KO 4071, KO 4072, KO 4073 with box-terminals for machine soldering

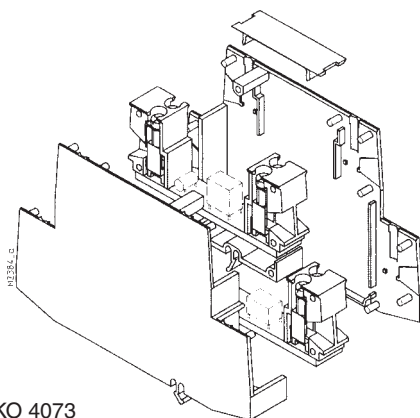


- Width 12.5 mm
- Optionally with max. 4, 6 or 8 captive plus-minus-terminal screws
- Mounting of pcb's in 2 planes
- With machine solderable double pins
- Optionally with long soldering pin (see drawing "Inner connection")
- Optionally with changeable front plate

Supplied unassembled, in kit form.



Box terminals with machine-solderable double pins



KO 4073

Technical Data

Order reference:

Insulated Enclosure with double pin
without fixed front plate: KO 4071.0034914 KO 4072.0034915 KO 4079.0038252
with opaque removable front plate KO 4071.0039199 KO 4072.0039203 KO 4079.0039225
with clear removable front plate KO 4071.0039200 KO 4072.0039204 KO 4079.0039226
Insulated Enclosure with long soldering pin
without fixed front plate: KO 4071.0035717 KO 4072.0035719 KO 4073.0035720
with opaque removable front plate KO 4071.0039201 KO 4072.0039205 KO 4073.0039209
with clear removable front plate KO 4071.0039202 KO 4072.0039206 KO 4073.0039210

Outer dimensions:

KO 4071: 12.5 x 60 x 60 mm
KO 4072: 12.5 x 75 x 60 mm
KO 4073: 12.5 x 90 x 60 mm

Enclosure material: PC-GF, light grey RAL 7035

Temperature stability		
complying with UL 746 B:		125 °C
complying with Vicat ISO 306	Meth. B:	148 °C
compl. with ISO 75-2	Meth. A:	138 °C
	Meth. B:	144 °C

Max. permitted power dissipation: 2 W at normal climate 23/50-1 ISO 554

Flame retardancy
complying with UL 94: V-0
complying with IEC 60 707: BH 2-30

Number of terminals

KO 4071: 4
KO 4072: 6
KO 4073: 8 } less on request

Terminal material: CuSn tin-plated

Max. cross section for connection: 4 mm² solid
2.5 mm² stranded ferruled DIN 46 228-1/-2/-3/-4

Insulation of wires length: 8 mm

Max contact resistance to
Printed circuit board: 10 mΩ
Max. current carrying capacity: 16 A

Wire fastening: captive plus-minus-terminal screws M3.5
Box terminals with self-raising wire protection

Torque: max. 0.8 Nm

Inner connection: machine solderable double pins for PCB
optionally with long soldering pin

Enclosure fastener: Snap-on fastener on top hat rail EN 50 022

Tracking current resistance: CTI 175 ≅ insulating material III a IEC 60 664-1

Air gap and creepage distances: ≥ 3.2 mm

Type of protection
Enclosure: IP 40 IEC 60 529
Terminal strip: IP 20 IEC 60 529
contact protection complies with VBG 4

Print area: 33 x 10.5 mm

Printed circuit board

top	54 x 10 mm	54 x 10 mm	54 x 10 mm
bottom	58 x 10 mm	72 x 10 mm	86 x 10 mm

Thickness of PCB: 1.5 mm

Printed circuit board holder: Guide ribs in enclosure

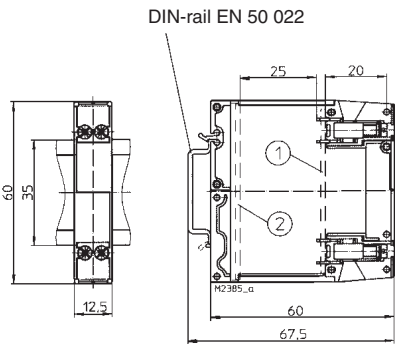
Net weight 25 g | 33 g | 40 g

Accessories:

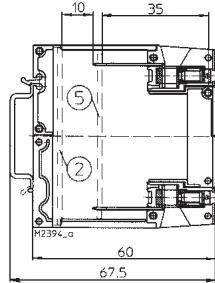
KO 4071-2.3: Terminal block with double pins
KO 4071-2.4: Terminal block with long solder pins
KO 4721-7-1.6: Blanking plug for part insertion

Dimensions

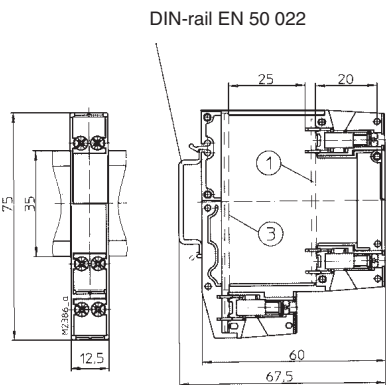
KO 4071.0034914
with double pin



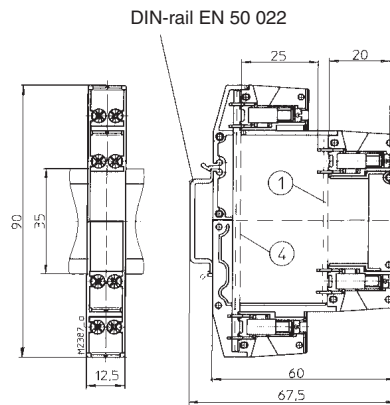
KO 4071.0035717
with long soldering pin



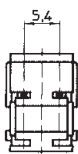
KO 4072.0034915
with double pin



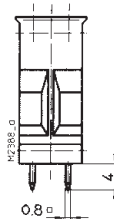
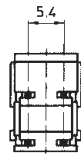
KO 4073.0034916
with double pin



Inner connection



KO 4071-2.4
long solder pins

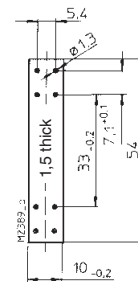


KO 4071-2.3
double pins

Printed circuit board design

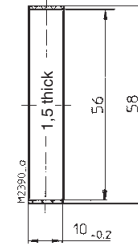
f. KO 4071
KO 4072
KO 4073

①



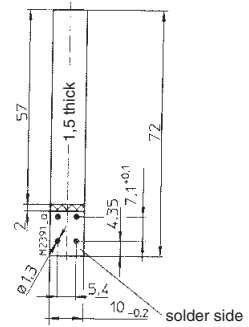
f. KO 4071

②



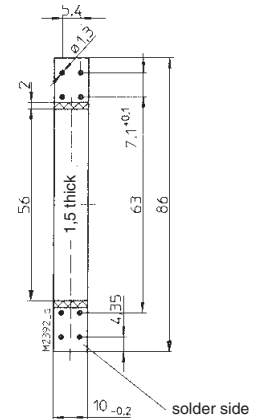
f. KO 4072

③

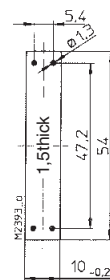


f. KO 4073

④



⑤



☒ both sides
free of
components