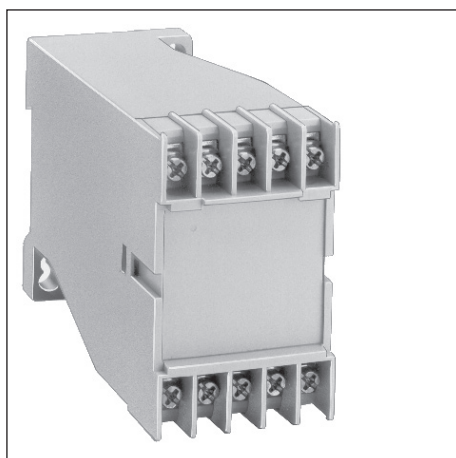
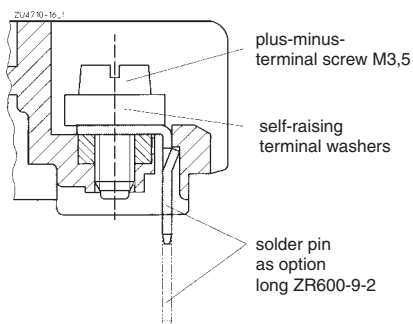


Insulated Enclosure K70/045C

with flat terminals
for solder connection



- Width 45 mm
- Max. 10 plus-minus-terminal screws with self raising terminal washers
- PCBs are easy to install because of guiding ribs
- Terminal cover for contact protection complies with VBG 4 as option



Flat terminal for soldered connection

Technical Data

Order reference: K70/045C.113 112-10

Outer dimensions:
with cover: 45 x 75 x 112 mm
45 x 78 x 112 mm

Enclosure material: PC-GF lichtgrau RAL 7035
(other colour on request)

Temperature stability:	PC
complying with UL 746 B:	125 °C
complying with Vicat	
ISO 306 Meth. B:	148 °C
complying with ISO 75-2 Meth. A:	138 °C
Meth. B:	144 °C

Max. permitted power dissipation at normal climate 23 / 50-1 ISO 554

Enclosure gap	max. power dissipation P_v
0 mm	6 W
16 mm	10 W
∞	12 W

Flame retardancy
complying with UL 94: V-0
complying with IEC 60707: BH 2-30

Number of terminals: 10, < 10 on request

Terminal material: Steel strip, tin-plated

Max. cross section for connection: 2 x 2.5 mm² solid or
2 x 1.5 mm² stranded ferruled DIN 46228-1/-2/-3/-4

Insulation of wires length: 10 mm

Max. current carrying capacity: 25 A

Wire fastening: Plus-minus-terminal screws M3,5, with self-raising terminal washers or faston connector on request

Torque: max. 0.8 Nm

Inner connection: Solder connection resp. male connector for sleeve B 2.8 complying with DIN 46 247-1

Enclosure fastener:
1) Snap-on fastener on top hat rail EN 60715
2) Screw fixing
2.1) Distance between M4-screws 35 x 50
2.2) Distance between M5-screws 35 x 600

Creepage current resistance
PC: CTI 175 $\hat{=}$ insulating material III a IEC 60664-1
PC: CTI 450 $\hat{=}$ insulating material II IEC 60664-1

Air gap and creepage distance: \geq 6,0 mm IEC 60664-1

Type of protection IEC 60529

Enclosure: IP 40
Terminal board: IP 10 (with terminal cover IP 20 and contact protection complies with VBG 4)

Print area: 35 x 40 mm

Leiterplatte: see printed circuit design

Printed circuit board holder: Guide ribs on the small side

Accessories:
K70-21-4: Terminal cover
K70-150-0-48: Blanking plug for part insertion

