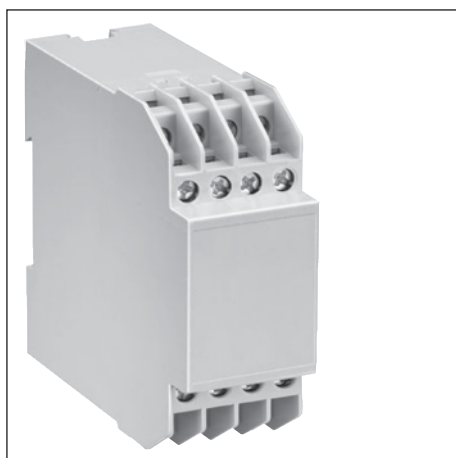
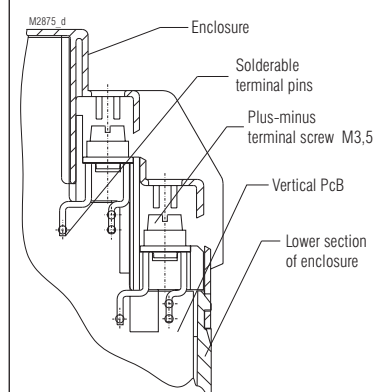


Insulated Enclosure KO 4903

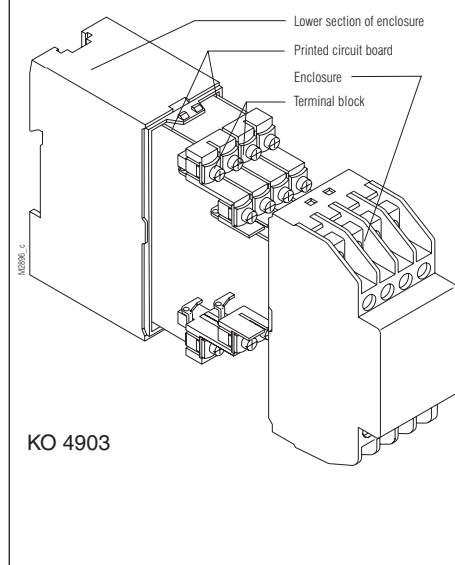
for surface mounting and mounting in cabinets,
with flat terminals



- Width 35 mm
- Max. 16 plus-minus terminal screws with self-raising terminal washers
- Reliable connection of max. 2 wires even with different diameter
- Terminal blocks can be machine-soldered additional wire soldering is possible
- Housing supplied as single parts, terminals prefitted in terminal blocks



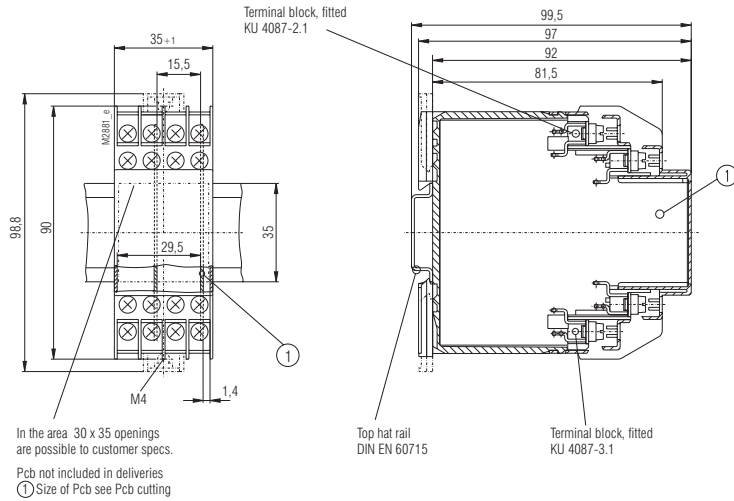
Flat terminals for solder connection



Technical data

Order reference:	KO 4903.0049467	
Outer dimensions:	35 x 90 x 97 mm	
Enclosure material:	PC-GF, light gray RAL 7035	
Temperature stability:		
complying with UL 746 B:	125 °C	
complying with Vicat		
ISO 306 Meth. B:	148 °C	
compl. with ISO 75-2 Meth. A:	138 °C	
Meth. B:	144 °C	
Max. permitted power dissipation:	9 W for stand-alone enclosure at normal climate 23/50-1	ISO 554
Specific thermal resistance:	R _{th} = 6 K / W for stand-alone enclosure	
Flame retardancy complying with UL 94:	V-0	
complying with IEC 60 707:	BH 2-30	
Number of terminals:	16, < 16 on request	
Terminal material:	Steel strip, tin-plated	
Max. cross section for connection:	2 x 2.5 mm ² solid 2 x 1.5 mm ² stranded ferruled min. Ø 0,1mm solid	DIN 46 228-1/-2/-3/-4
Insulation of wires length:	9 - 10 mm	
Max. contact resistance to printed circuit board:	20 mΩ	
Max. current carrying capacity:	16 A, 40 A on request	
Wire fastening:	Captive plus-minus terminal screws (M3.5) with self-raising terminal washers Function complying with IEC 60 999-1	
Torque:	max. 0.8 Nm	
Inner connection:	Machine-solderable terminal pins for printed circuit board and soldering pin for strands	
Housing fastener:	1) Snap-on fastener on top hat rail 2) Screw fastening M4, grid 90 mm with second clip as accessory	EN 50 022
Creepage current resistance:	CTI 175 ≙ insulating material III a	IEC 60 664-1
Air gap and creepage distances	IEC 60 664-1	
Housing for vertical printed circuit board:	Air gap ≥ 4 mm Creepage distance ≥ 6,3 mm	
Type of protection	IEC 60 529	
Enclosure:	IP 40	
Terminal opening:	IP 20	
	Contact protection complies with VBG 4	
Print area:	35 x 44 mm	
Printed circuit board:	See Printed circuit board design	
Printed circuit board holder:	Guide ribs	
Component installation height for a vertical printed circuit board		
on component side:	≤ 29 mm	
on soldering side:	≤ 2.0 mm bzw. 1.6 mm (see Printed circuit board design)	
Net weight:	130 g	
Accessories:		
ET 4086-0-2.1	Second clip for screw fastening	
KU 4089-0-2	Blanking plug for enclosure base	
KU 4089-3-4	Blanking plug for terminal block	
KU 4087-1-1	Dummy terminal block for vertical PCB	

Dimension



Printed circuit board design

