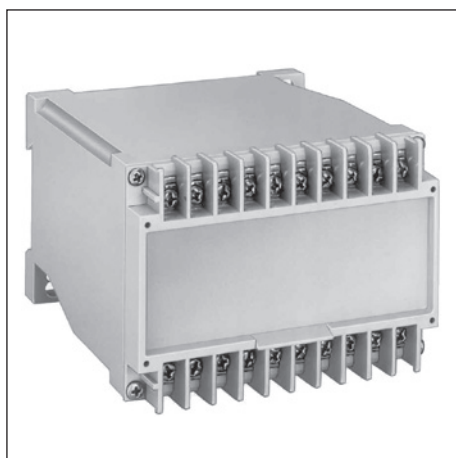
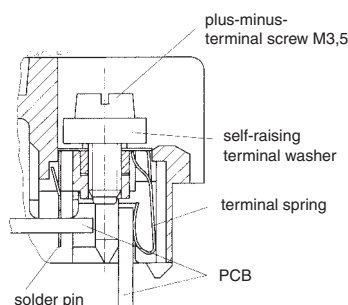


# Insulated Enclosure KO 4710

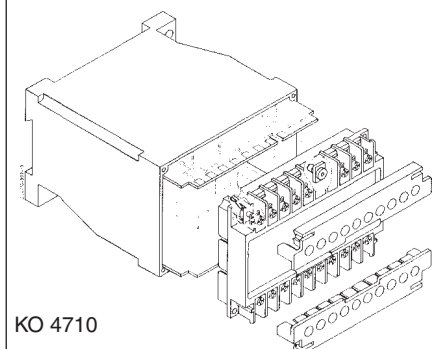
with flat terminals  
for plug-in technology



- Width 100 mm
- Max. 20 plus-minus-terminal screws with self raising terminals washers
- PCBs are easy to install because of guiding ribs
- Terminal cover for contact protection complies with VBG 4 as option



Flat terminal for plug-in technology



KO 4710

## Technical Data

Order reference: KO 4710.112.20.02.000

**Outer dimensions:** 100 x 74 x 114 mm  
with cover: 100 x 78 x 114 mm

Enclosure material: PC  
Terminal plate: PC-GF lichtgrau RAL 7035  
Base: PC-GF lichtgrau RAL 7035  
Special version: PC-GF lichtgrau RAL 7035 (other colour on request)

Temperature stability:	PC	PA
complying with UL 746 B:	125 °C	60 °C
complying with Vicat		
ISO 306 Meth. B:	148 °C	86 °C
compl. with ISO 75-2 Meth. A:	138 °C	87 °C
Meth. B:	144 °C	92 °C

Max. permitted power dissipation: at normal climate 23 / 50-1 ISO 554

	Enclosure gap	Power dissipation $P_v$
Standard version:	0 mm	15 W
	6 mm	18 W
	∞	19 W
Special version PC:	0 mm	23 W
	6 mm	26 W
	∞	29 W

Flame retardancy complying with UL 94: V-0  
complying with IEC 60 707: BH 2-30

**Number of terminals:** 20, < 20 on request

Terminal material: CuSn6, fire-plated

Max. cross section for connection: 2 x 2,5 mm<sup>2</sup> solid  
2 x 1,5 mm<sup>2</sup> stranded ferruled DIN 46 228-1/-2/-3/-4

Insulation of wires length: 10 mm

Max. contact resistance to printed circuit board: 10 mΩ  
Max. current carrying capacity: 10 A }  $\approx 1$  W / terminal (Power dissipation)

Wire fastening: Plus-minus-terminal screws M3,5, with self-raising terminal washers

Connection inside: Direct plugging of printed circuit board (numbered inside) or soldered connection

**Enclosure fastener:** 1) Snap-on fastener on top hat rail EN 50 022  
2) Screw fixing  
2.1) Distance between M4-screws 35 x 50  
2.2) Distance between M5-screws 35 x 60

**Creepage current resistance:** CTI 175  $\approx$  insulating material III a IEC 60 664-1

**Air gap and creepage distance:**  $\geq 4,0$  mm IEC 60 664-1

Type of protection IEC 60 529

Enclosure: IP 40  
Terminal board: IP 10 (with terminal cover IP 20 and contact protection complies with VBG 4)

Print area: 35,5 x 95 mm

**Printed circuit board:** see Printed circuit design  
1) \* - 73 cm<sup>2</sup>  
2) \* - 41 cm<sup>2</sup>  
3) \* - 81 cm<sup>2</sup>  
4) \* - 52,5 cm<sup>2</sup>  
5) \* - 52 cm<sup>2</sup>  
\* see drawing on the back

Printed circuit board holder: Guide ribs on all sides

**Accessories:**  
K70/100-0-16: Terminal cover  
K70/150-0-48: Blanking plug for part insertion  
K70/150-0-69: Spacer for PCB coding

