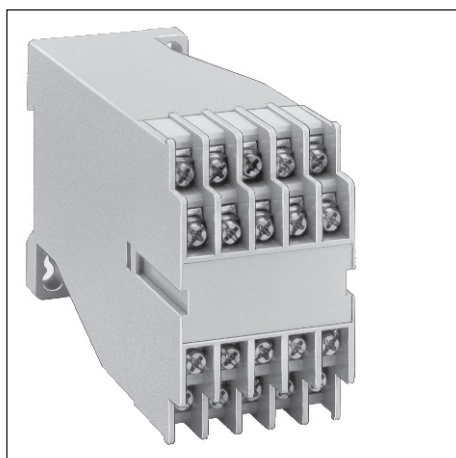
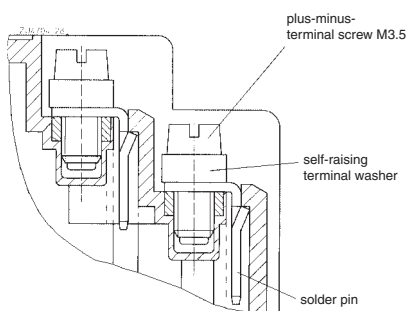


Insulated Enclosure K70/045D

with flat terminals
for solder connection



- Width 45 mm
- Max. 20 plus-minus-terminal screws with self raising terminal washers
- PCBs are easy to install because of guiding ribs
- Terminal cover for contact protection complies with VBG 4 as option



Flat terminal for soldered connection

Technical Data

Order reference: K70/045D 124-20

Outer dimensions: 45 x 74 x 124 mm

Enclosure material: PC-GF light grey RAL 7035
(other colour on request)

Temperature stability:	PC
complying with UL 746 B:	125 °C
complying with Vicat	
ISO 306	Meth. B: 148 °C
compl. with ISO 75-2	Meth. A: 138 °C
	Meth. B: 144 °C

Max. permitted power dissipation: at normal climate 23 / 50-1 ISO 554

Enclosure gap	max. power dissipation P_v
0 mm	9 W
16 mm	13 W
∞	15 W

Flame retardancy
complying with UL 94: V-0
complying with EN 60707: BH 2-30

Number of terminals: 20, < 20 on request

Terminal material: Steel strip, tin-plated

Max. cross section for connection: 2 x 2.5 mm² solid or
2 x 1.5 mm² stranded ferruled DIN 46228-1/-2/-3/-4

Insulation of wires length: 10 mm

Max. current carrying capacity: 25 A

Wire fastening: Plus-minus-terminal screws M3.5, with self-raising terminal washers or faston connector on request

Torque: max. 0.8 Nm

Inner connection: Solder connection resp. male connector for sleeve B 2.8 complying with DIN 46 247-1

Enclosure fastener: 1) Snap-on fastener on top hat rail EN 60715
2) Screw fixing
2.1) Distance between M4-screws 35 x 50
2.2) Distance between M5-screws 35 x 60

Creepage current resistance

PC: CTI 175 ≅ insulating material III a IEC 60664-1
PC: CTI 450 ≅ insulating material II IEC 60664-1

Air gap and creepage distance: ≥ 6.0 mm IEC 60664-1

Type of protection IEC 60529

Enclosure: IP 40
Terminal board: IP 10 (with terminal cover IP 20 and contact protection complies with VBG 4)

Print area: 43.5 x 18.5 mm

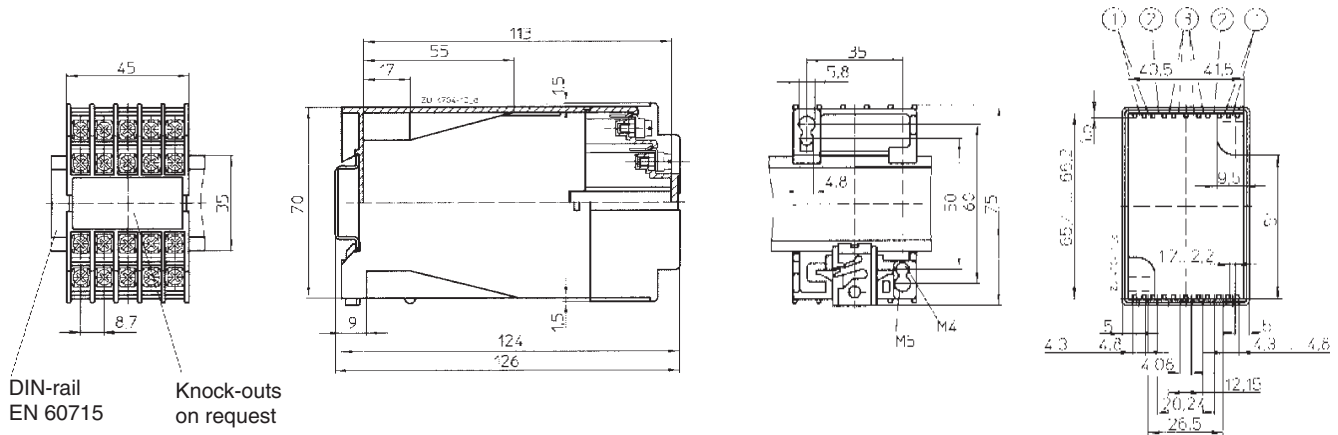
Printed circuit board: see printed circuit design

Printed circuit board holder: Guide ribs on the small side

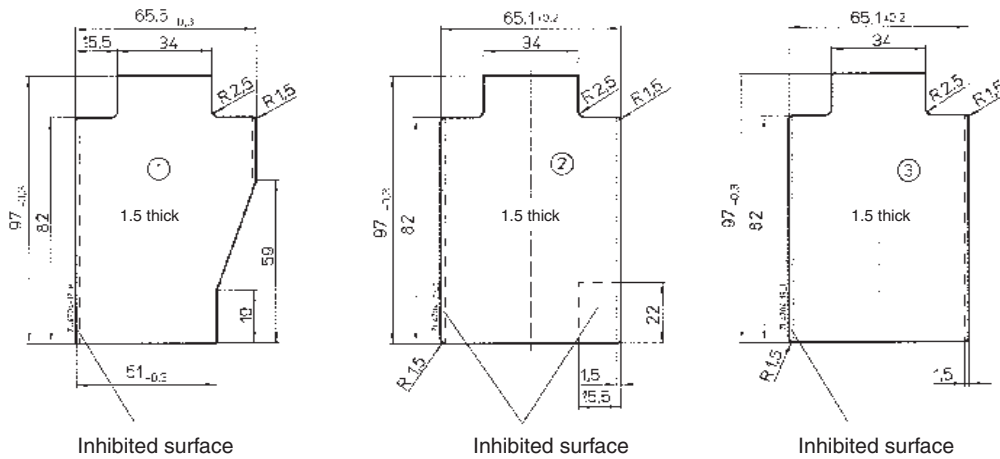
Accessories:

K70-152-1: 2 x terminal cover pre-welded at time of manufacture
K70-150-0-48: Blanking plug for part insertion

Dimensions



Printed circuit board design



K70/045D with terminal cover

