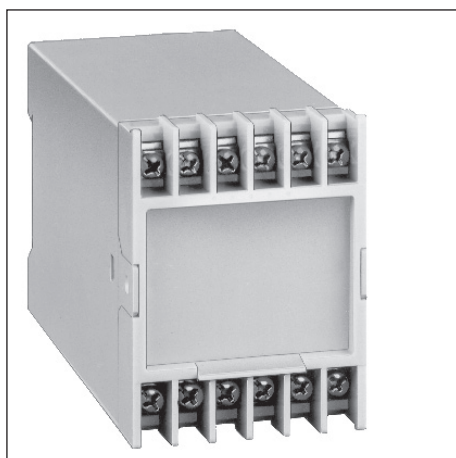
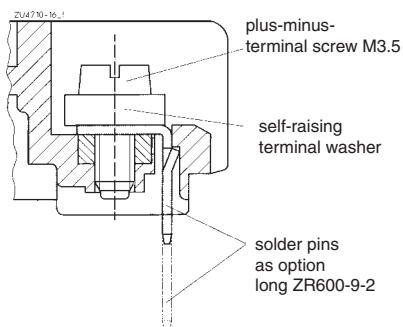


Insulated Enclosure K70/055A

with flat terminals
for solder connection



- Width 55 mm
- Max. 12 plus-minus-terminal screws with self raising terminal washers
- PCBs are easy to install because of guiding ribs
- Terminal cover for contact protection complies with VBG 4 as option

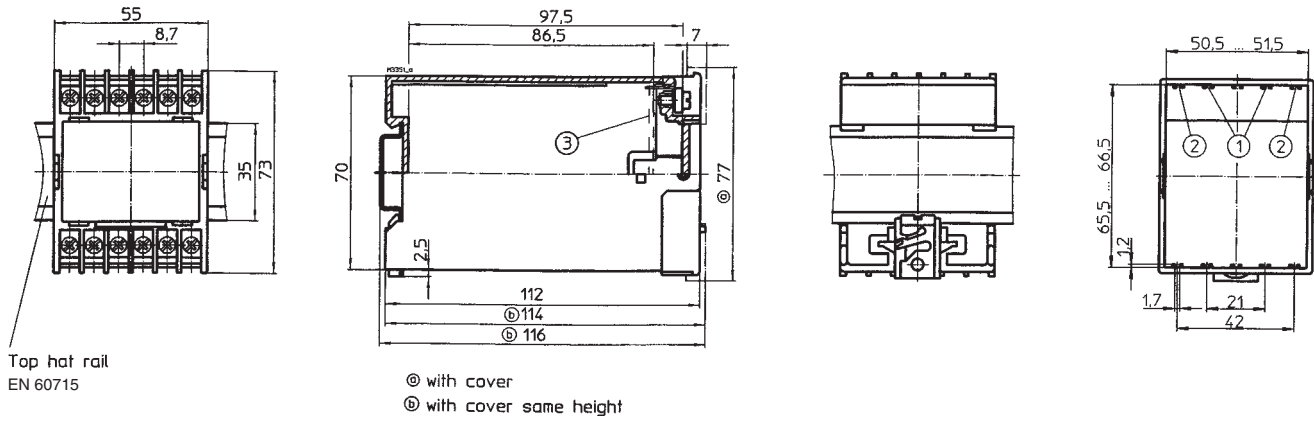


Flat terminal for soldered connection

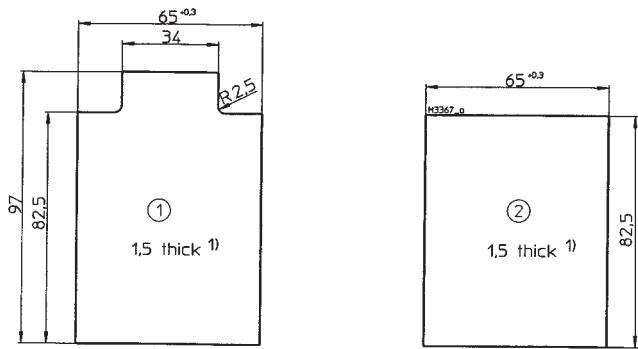
Technical Data

Order reference:	K70/055A 112-12	
Outer dimensions:	55 x 75 x 112 mm	
with cover::	55 x 78 x 112 mm	
Enclosure material:	PC-GF light grey RAL 7035 (other colour on request)	
Temperature stability:	PC	
complying with UL 746 B:	125 °C	
complying with Vicat		
ISO 306	Meth. B:	148 °C
compl. with ISO 75-2	Meth. A:	138 °C
	Meth. B:	144 °C
Max. permitted power dissipation:	at normal climate 23 / 50-1	ISO 554
	Enclosure gap	max. power dissipation P_v
	0 mm	11 W
	16 mm	14 W
	∞	16 W
Flame retardancy	V-0	
complying with UL 94:	BH 2-30	
complying with IEC 60707:		
Number of terminals:	12, < 12 on request	
Terminal material:	Steel strip, tin-plated	
Max. cross section for connection:	2 x 2.5 mm ² solid or 2 x 1.5 mm ² stranded ferruled	DIN 46228-1/-2/-3/-4
Insulation of wires length:	10 mm	
Max. current carrying capacity:	25 A	
Wire fastening:	Plus-minus-terminal screws M3.5, with self-raising terminal washers or faston connector on request	
Torque:	max. 0.8 Nm	
Inner connection:	Solder connection resp. male connector for sleeve B 2.8 complying with	DIN 46 247-1
Enclosure fastener:	Snap-on fastener on top hat rail	EN 60715
Creepage current resistance		
PC:	CTI 175 ≙ insulating material III a	IEC 60664-1
PC:	CTI 450 ≙ insulating material II	IEC 60664-1
Air gap and creepage distance:	≥ 5.0 mm	IEC 60664-1
Type of protection	IP 40	
Enclosure:	IP 10 (with terminal cover IP 20 and contact protection complies with VBG 4)	
Terminal board:		
Print area:	48 x 36 mm	
Printed circuit board:	see printed circuit design	
	1) * - 53 cm ²	
	2) * - 58.5 cm ²	
	2) * - 30.5 cm ²	
	* see drawing on the back	
Printed circuit board holder:	Guide ribs on the small side	
Accessories:		
K70/55-0-6:	Terminal cover	
K70-150-0-48:	Blanking plug for part insertion	

Dimensions



Printed circuit board design



1) Tolerance complying with IEC 60249-2-4

Accessories

