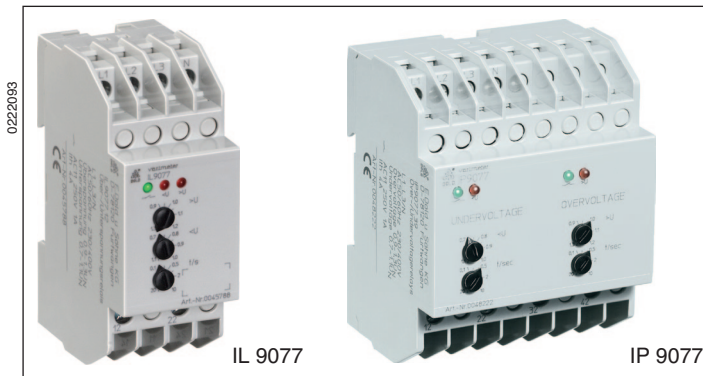


VARIMETER PRO

Over- and Undervoltage Relay

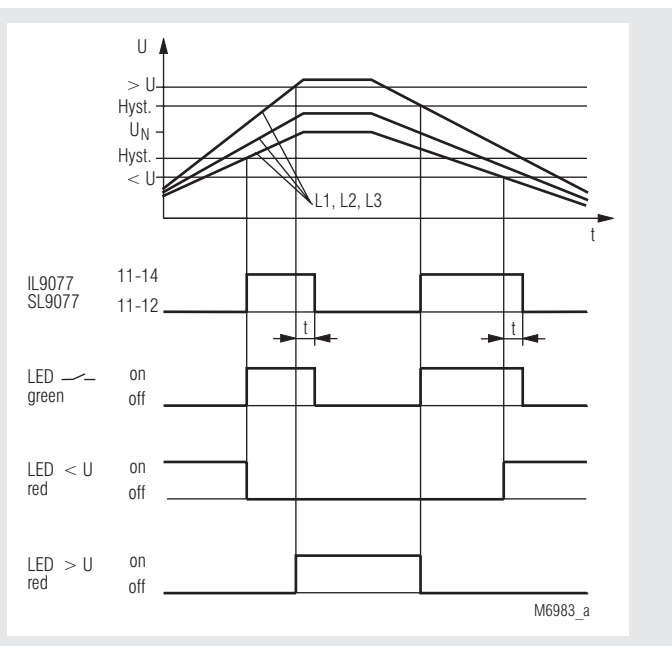
IL 9077, IP 9077, SL 9077, SP 9077



0222093

- According to IEC/EN 60 255, DIN VDE 0435-303
- Identification of overvoltage, undervoltage and phase failure
- With asymmetry identification as an option
- Mains fault diagnostics with a number of LEDs
- Setting values for overvoltage and undervoltage can be set separately
- Large Setting Ranges $0.9 \dots 1.3 U_N$ and $0.7 \dots 1.1 U_N$
- Time delay variable between $0.1 \dots 20$ s
- Closed circuit operation
- No auxiliary voltage
- Independant of phase sequence
- As option with phase sequence detection
- Single-phase connection possible
- Optionally for 3P3W Systems
- 2 changeover contacts, at IP/SP 9077 2 x 2 changeover contacts
- **Devices available in 2 enclosure versions:**

Function Diagram IL 9077



- **I-model: depth 59 mm, with terminals at the bottom for installation systems and industrial distribution systems according to DIN 43 880**
- **S-model: depth 98 mm, with terminals at the top for cabinets with mounting plate and cable duct**
- IL 9077, SL 9077: width 35 mm
- IP 9077, SP 9077: width 70 mm

Approvals and Marking



*) only IL 9077 and IP 9077

Application

Monitoring of three-phase voltage systems to identify overvoltage and undervoltage, e.g. to monitor in-house generation equipment in accordance with VDE 0100.

Function

All 3 phase voltages are measured with N (L1 and L2 are measured against L3 in the case of equipment without an N connection). If they are in the acceptable range, a green LED goes on and the output relay is activated. If at least one phase exceeds the setting value for overvoltage (variable between $0.9 \dots 1.3 U_N$) or if at least one phase falls short of the setting value for undervoltage (variable between $0.7 \dots 1.1 U_N$), the output relay releases after the set time delay and the green LED goes off (fault state). 2 red LEDs then indicate the cause of the fault:

- Undervoltage " $< U$ "
- Overvoltage " $> U$ "

When all 3 phase voltages are below the chosen setting value for overvoltage and above the chosen setting value for undervoltage again, the relevant red LED goes out, the output relay is activated again and the green LED goes on again (acceptable state).

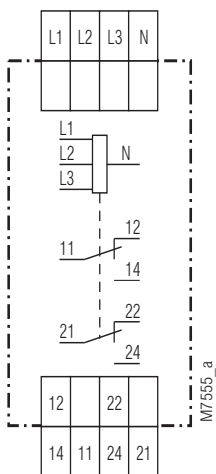
When the system returns to an acceptable state, there is a hysteresis of about 4 % of the set value with both the set voltage thresholds.

On the unit with phase sequence detection IL/SL 9077/003 (only available without neutral) the wrong phase sequence is handled like undervoltage: The red LED " $< U$ " is active and the output relay switches off.

The model with asymmetry identification IL/SL 9077/010 monitors the symmetry of the three-phase voltage system as well. When all 3 voltages are in the acceptable range between the two setting values here, but there is voltage asymmetry of more than about 6 ... 8 %, the output relay releases after the set time delay and the LED that is green when the state is acceptable goes red. (This model can, for example, also be used for immediate identification of the regeneration of failed phases by feedback).

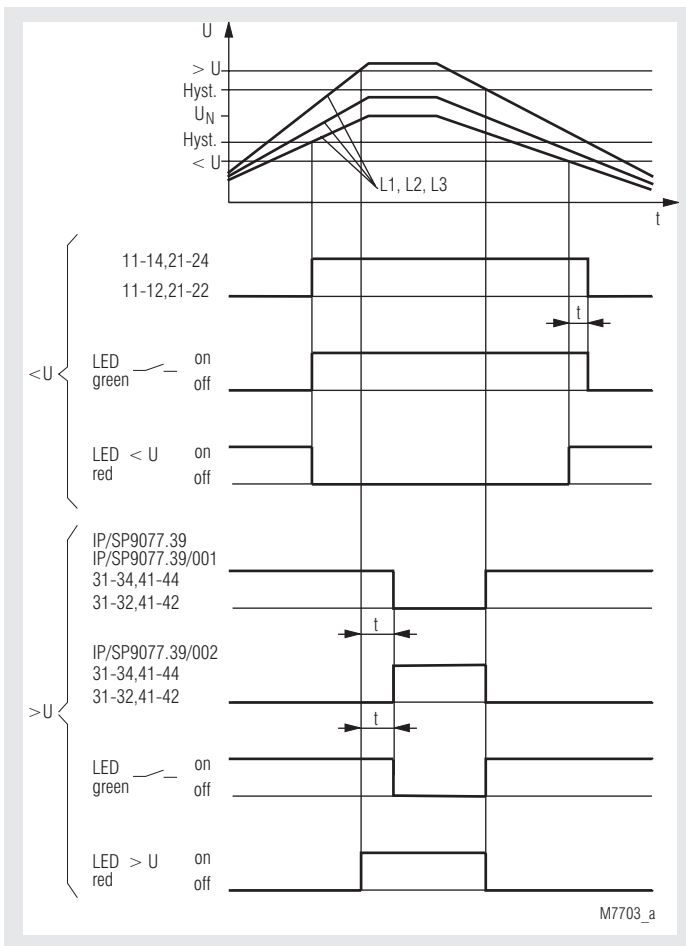
The IP/SP 9077.39 is an under- and overvoltage relay with separate output relays (each with 2 changeover contacts) for undervoltage and overvoltage monitoring. For every output a separate delay $0.1 \dots 20$ s is adjustable.

Circuit Diagram



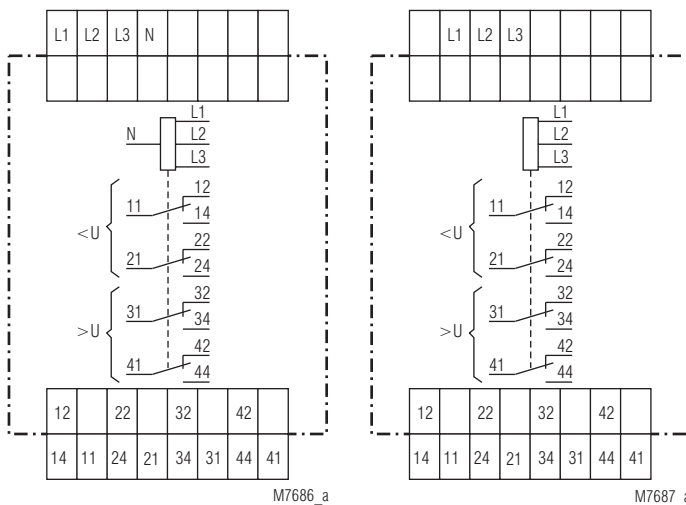
IL 9077.12, SL 9077.12

Function Diagram IP 9077



M7703_a

Circuit Diagrams



M7686_a

M7687_a

IP 9077.39, SP 9077.39

IP 9077.39/001, SP 9077.39/001
IP 9077.39/002, SP 9077.39/002

Indicators

green LED :
green LED goes red:

state
voltage asymmetry
(only IL/SL 9077/010)

red LED " $< U$ ":
red LED " $> U$ ":

fault message / undervoltage
fault message / overvoltage

Notes

The terminals L1, L2 and L3 have to be bridged if the relay is used in single phase systems. (For 3p3w units L1 and L2 have to be linked).
The maximum fault delay amounts to only about 0.6 s if there is a total failure of phase L3.
The overvoltage output on IP/SP 9077.39/002 can only switch if the voltage between L2 and L3 is $> 0.7 U_N$ as the unit works without auxiliary supply.

Technical Data

Input

Nominal voltage U_N : 3/N AC 100 / 58, 400 / 230 V
3 AC 100, 400 V
other voltages on request

Voltage range: 0.7 ... 1.3 U_N

Maximum overload: 1.35 U_N , permanent

Nominal consumption: approx. 8 VA (L3-N)
(approx. 16 VA for IP 9077)

Nominal frequency: 50 / 60 Hz

Setting Ranges

Setting value for overvoltage " $> U$ ": variable between 0.9 ... 1.3 U_N

Setting value for undervoltage " $< U$ ": variable between 0.7 ... 1.1 U_N

Hysteresis: approx. 4 % of the set value in each case

Time delay: variable between 0.1 ... 20 s

Threshold for asymmetry identification
IL/SL 9077/010: approx. 6 ... 8 % phase asymmetry

Output

Contacts
IL/SL 9077.12: 2 changeover contacts
IP/SP 9077.39: 2 x 2 changeover contacts

Thermal current I_{th} : 4 A

Switching capacity
to AC 15:
NO contact: 3 A / AC 230 V IEC/EN 60 947-5-1
NC contact: 2 A / AC 230 V IEC/EN 60 947-5-1

Electrical life: IEC/EN 60 947- 5-1
to AC 15 at 1 A, AC 230 V: $\geq 1.5 \times 10^5$ switching cycles

Short circuit strength
max. fuse rating: 4 A gL IEC/EN 60 947-5-1

Mechanical life: 30 x 10^6 switching cycles

General Data

Operating mode: Continuous operation

Temperature range: - 20 ... + 60°C

Clearance and creepage distances
rated impuls voltage / pollution degree: 4 kV / 2 IEC 60 664-1

EMC
Electrostatic discharge: 8 kV (air) IEC/EN 61 000-4-2
HF irradiation: 10 V / m IEC/EN 61 000-4-3
Fast transients: 4 kV IEC/EN 61 000-4-4

Surge voltages
between wires for power supply: 2 kV IEC/EN 61 000-4-5
between wire and ground: 2 kV IEC/EN 61 000-4-5

Interference suppression: Limit value class B EN 55 011

Degree of protection: Housing: IP 40 IEC/EN 60 529
Terminals: IP 20 IEC/EN 60 529

Housing: Highly non-flammable thermoplastic with V0 behaviour according to UL subject 94

Vibration resistance: Amplitude 0.35 mm, frequency 10 ... 55 Hz IEC/EN 60 068-2-6

Climate resistance: 20 / 060 / 04 IEC/EN 60 068-1

Wire connection: 2 x 2.5 mm² solid or 2 x 1.5 mm² stranded ferruled
DIN 46 228-1/-2/-3/-4

Mounting: DIN rail IEC/EN 60 715

Weight

IL 9077: 110 g
SL 9077: 137 g
IP 9077: 210 g
SP 9077: 259 g

Technical Data

Dimensions

Width x height x depth

IL 9077:	35 x 90 x 59 mm
SL 9077:	35 x 90 x 98 mm
IP 9077:	70 x 90 x 59 mm
SP 9077:	70 x 90 x 98 mm

Standard Types

IL 9077.12	3/N AC 400 / 230 V	0.1 ... 20 s	
Article number:	0045788		stock item
• Output:	2 changeover contacts		
• Nominal voltage U_N :	3/N AC 400/230 V		
• De-energized on trip			
• Variable time delay	0.1 ... 20 s		
• Width:	35 mm		
SL 9077.12	3/N AC 400 / 230 V	0.1 ... 20 s	
Article number:	0054758		
• Output:	2 changeover contacts		
• Nominal voltage U_N :	3/N AC 400/230 V		
• De-energized on trip			
• Variable time delay	0.1 ... 20 s		
• Width:	35 mm		

Variants

I_ 9077. __ / 001:	3p3w, de-energized on trip
IL 9077.12/003:	3p3w, de-energized on trip with phase sequence detection
IL 9077.12/010:	3p4w, de-energized on trip with asymmetry detection
IL 9077.12/011:	3p3w, de-energized on trip with asymmetry detection
IL 9077.12/800:	with fast response and high overload at overvoltage. See datasheet IL 9077/800.
IP 9077.39:	3p4w, de-energized on trip
IP 9077.39/002:	3p3w, undervoltage output de-energized on trip, overvoltage output energized on trip

Ordering example for variants

IL 9077	.12	/	__	3/N AC 400/230 V	50 / 60 Hz	0.1 ... 20 s	
							Time delay
							Nominal frequency
							Nominal voltage
							Variant, if required
							Contacts
							Type

