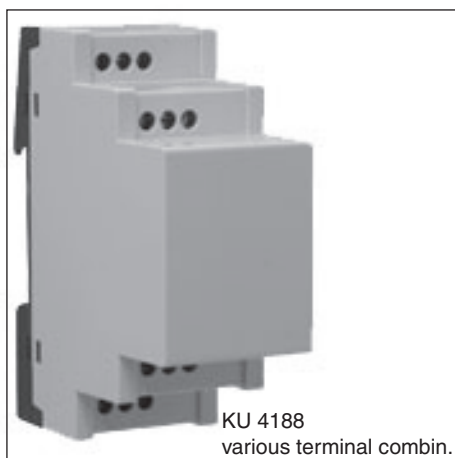


Insulated Enclosures KU 4188

to DIN 43 880 for installation in distribution cabinets
70 mm depth



- Module widths 35 mm
- Nominal depth 64 mm for overall panel depth maximum 70 mm to DIN 43 880
- Selectable enclosure configurations
 - without terminals
 - with plug-in terminals
 - with printed circuit board terminals
 - with box terminals
 - with various terminal combinations
- Suitable for application for up to two PCBs with terminals and additional PCB for display or control elements on the enclosure front
- Enclosure openings for connection terminals and control elements on request
- Base plates available with side walls for mounting of PCB assemblies

Technical Data

Order reference:
 Closed: 0061102
 Plug in terminal: 0060121
 PCB terminal: 0060120
 Box terminal: 0060292

External dimensions: 35 x 90 x 71

Enclosure material: PC - GF, light grey RAL 7035
 Base plate: dark black RAL 9005

Temperature stability		
complying with UL 746 B:		115 °C
complying with Vicat		
ISO 306	Meth. B:	145 °C
compl. with ISO 75-2	(1,8 MPa):	136 °C
	(0,45 MPa):	142 °C

Max. permitted power dissipation: 7 W for stand-alone enclosure at normal climate 23/50-1 ISO 554

Specific thermal resistance: $R_{th} = 12 \text{ K / W}$

Flame retardancy
 complying with UL 94: V-0
 complying with IEC 60 707: BH 2-30

Enclosure fastener: snap-on fastener on top hat rail EN 60 715

Creepage current resistance: CTI 175 $\hat{=}$ insulated material III a IEC 60 664-1

Type of protection: IP 40 IEC 60 529

Enclosure: IP 30 (connector cut outs IP 20)

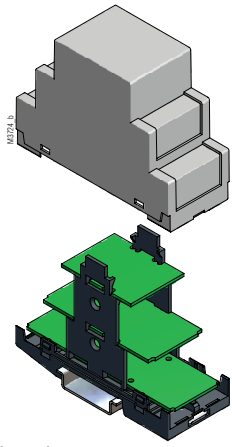
Print area: 33.5 x 41.5 mm

Print circuit board: See printed circuit board design

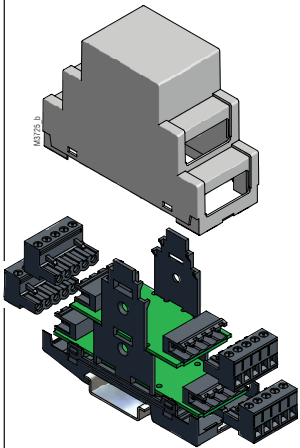
Printed circuit board mounting
 horizontal: fixed to the base by screws and / or by the side walls
 vertical: guide ribs in cover and base

More information
 see brochure G27

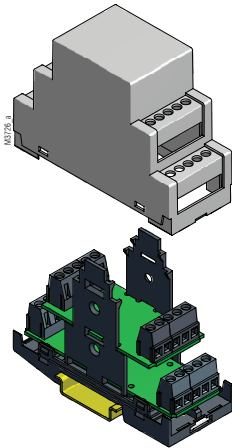
Exploded view



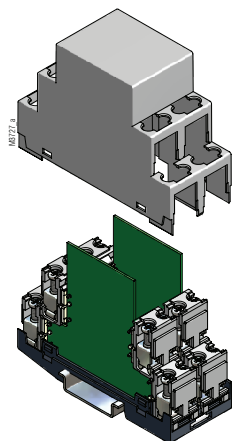
closed



plug in terminals



PCB terminals



box terminals

Dimensions

