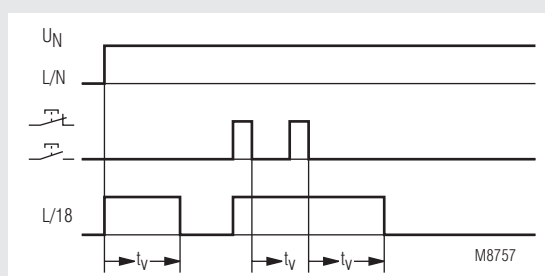


## MINITIMER Fan Control Timer RK 8810/005

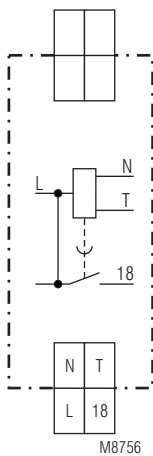


- According to DIN EN 61 095
- Setting range 0.5 ... 10 min
- After the light the fan switched on
- Switch for continuous light of the exhauster on unit
- Contact: 16 A
- Width 17.5 mm

### Function Diagram



### Circuit Diagram



IK 8810.41

### Approval and Marking



### Application

Control of fans

### Function

The fan starts approx. 1 min. after the light is switched on. When the light is switched off the fan will continue to run for the adjusted delay time.

### Notes

Unit and push button have to be connected to the same phase (see connection diagram) The output contact is not volt free.

### Technische Daten

#### Time circuit

**Time range:** 0.5 ... 10 min  
**Repeat accuracy:** < 1 % of setting value

#### Input

**Nominal voltage  $U_N$ :** AC 230 V  
**Voltage range:** 0.9 ... 1.1  $U_N$   
**Nominal consumption:** approx. 5 VA  
**Nominal frequency:** 50 / 60 Hz

#### Output

**Contacts:** 1 NO contact, delay  
**Contact opening gap:** > 3 mm  
**Thermal current  $I_{th}$ :** 16 A  
**fan load:** 200 VA  
**Short circuit strength**  
**max. fuse rating:** 16 AgL IEC/EN 60 947-5-1  
**Mechanical life:** > 1 x 10<sup>8</sup> switching cycles

## Technical Data

### General Data

**Nominal operating mode:** impulse operation / continuous operation

**Temperature range:** - 20 ... + 50°C

### Clearance and creepage distances

rated impuls voltage /  
pollution degree: 4 kV / 2 IEC 60 664-1

### EMC

Electrostatic discharge (ESD): 8 kV (air) IEC/EN 61 000-4-2

Fast transients: 2 kV IEC/EN 61 000-4-4

Surge voltages  
between

wires for power supply: 1kV IEC/EN 61 000-4-5

between wire and ground: 2 kV IEC/EN 61 000-4-5

Interference suppression: Limit value class B EN 55 011

### Degree of protection:

Housing: IP 40 IEC/EN 60 529

Terminals: IP 20 IEC/EN 60 529

**Enclosure:** Thermoplast with V0-behaviour  
according to UL subj. 94

**Vibration resistance** Amplitude 0,35 mm  
frequenzy 10 ... 55 Hz IEC/EN 60 068-2-6

20 / 050 / 04 IEC/EN 60 068-1

**Climate resistance:** EN 50 005

**Terminal designation:**

**Wire connection:** 0.5 ... 6 mm<sup>2</sup> solid or  
0.5 ... 4 mm<sup>2</sup> stranded wire with sleeve  
DIN 46 228-1/-2/-3/-4

**Wire fixing:** Box terminal with wire protection

**Mounting:** DIN rail IEC/EN 60 715

**Weight:** approx. 80 g

### Dimensions

**Width x Height x Depth:** 17.5 x 90 x 66 mm

### Standard Type

RK 8810.41/005 AC 230 V 50 / 60 Hz 0.5 ... 10 min

Article number: 0058996

• Output: 1 NO contact, delay

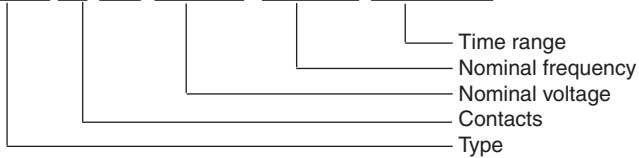
• Nominal voltage  $U_N$ : AC 230 V

• Timer range: 0.5 ... 10 min

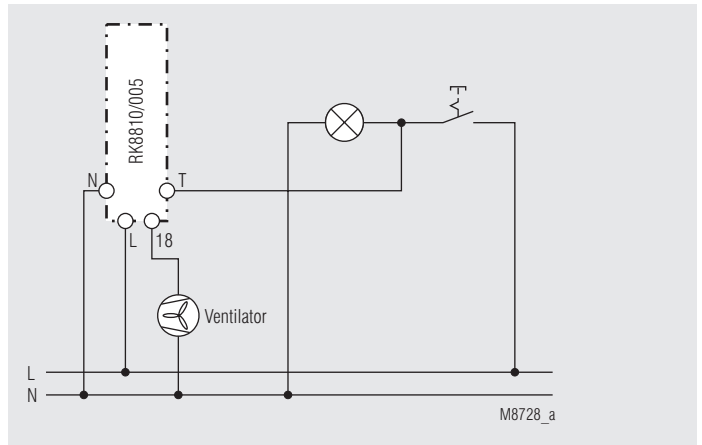
• Width: 17.5 mm

### Ordering Example

RK 8810 .41 /005 AC 230 V 50 / 60 Hz 0.5 ... 10 min



## Application Example



circuit L on push button