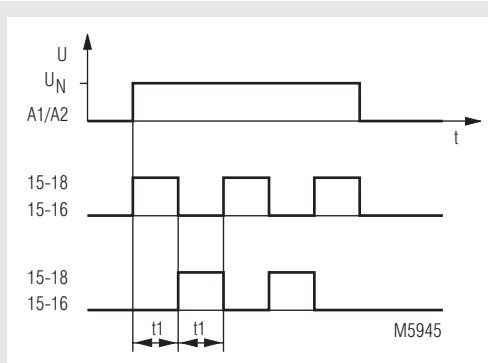


## MINITIMER Flasher Relay MK 7851



- According to IEC/EN 61 812-1
- Adjustable flashing frequency, impulse time up to 300 s
- Repeat accuracy  $< \pm 0.5 \%$
- Adjustable on absolute scale
- Start with impulse
- Available start with space
- dual-voltage version
- LED indication for operation and contact position
- 2 changeover contacts
- Width 22.5 mm

### Function Diagram



### Approvals and Marking



### Indicators

upper LED: on, when supply connected  
lower LED: on, when output relay active (contact 15-18 closed)

### Technical Data

#### Time circuit

**Time ranges:**

0.05 ...	1 s = 600...30 Impulses/min
0.15 ...	3 s
0.5 ...	10 s
1.5 ...	30 s
3 ...	60 s
5 ...	100 s
15 ...	300 s

**Pulse duty factor:** 1:1  
**Time setting:** stepless on absolute scale

#### Recovery time

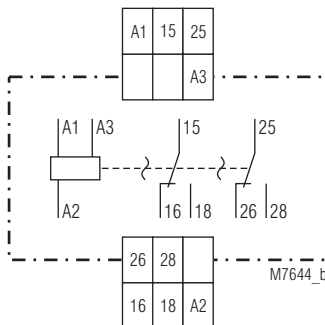
tw 50 / 100:  $< 40$  ms

**Repeat accuracy:**  $< \pm 0.5 \%$  of the max. scale value

**Voltage influence:**  $\leq 1 \%$

**Temperature influence:**  $< 0.1 \%$  / K

### Circuit Diagram



MK 7851.82/024

### Input

**Nominal voltage  $U_N$ :** AC/DC 24 V<sup>1)</sup> + AC 110 ... 127 V<sup>2)</sup>  
AC/DC 24 V<sup>1)</sup> + AC 230 ... 240 V<sup>2)</sup>

<sup>1)</sup> at terminals A3 - A2

<sup>2)</sup> at terminals A1 - A2

also available as

single voltage version:

AC/DC 12 V, AC/DC 42 ... 48 V

#### Voltage range:

AC 0.8 ... 1.1  $U_N$

DC 0.9 ... 1.25  $U_N$

#### Release voltage:

15 %  $U_N$

#### Permissible residual current:

5 mA

#### Nominal consumption:

AC 230 V DC 24 V DC 42 V

8.5 VA 1 W 1 W

#### Nominal frequency:

50 / 60 Hz

#### Frequency range:

$\pm 5 \%$   $f_N$

