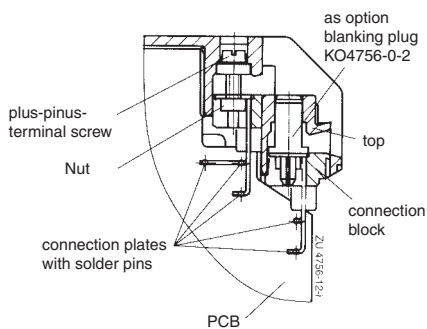


Insulated Enclosure KO 4756

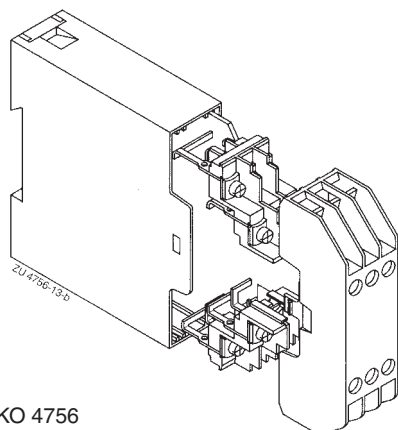
with flat terminal
for machine soldering



- Width 22.5 mm
- Max. 12 plus-minus captive terminal screws with self-raising terminal washers
- Secure clamping of max. 2 connection wires with differing cross section
- Machine solderable connections, stranded cable connection possible
- Large area für control and indicating components and legends.
- Housing supplied as single parts, terminals prefitted in terminal blocks



Flat terminal for machine soldering



KO 4756

Technical data

Order reference:
KO 4756.0036327: Cross section for connection > \varnothing 0.6 solid
KO 4756.0039462: Cross section for connection \varnothing 0.1 to \varnothing 0.6 solid

Outer dimensions: 22.5 x 82 x 98.8 mm

Enclosure material: PC-GF light grey RAL 7035

Temperature stability:	PC
complying with UL 746 B:	125 °C
complying with Vicat	
ISO 306 Meth. B:	148 °C
compl. with ISO 75-2 Meth. A:	138 °C
	Meth. B: 144 °C

Max. permitted power dissipation: at normal climate 23 / 50-1 ISO 554

Enclosure gap	Power dissipation P_v
0 mm	4 W
16 mm	7.5 W
∞	10 W

Specific thermal resistance: $R_{th} = 10 \text{ K / W}$ for stand-alone enclosure

Flame retardancy
complying with UL 94: V-0
complying with IEC 60707: BH 2-30

Number of terminals: Max. 12, numbered inside from 1 to 6

Terminal material: steel strip, tin-plated

Max. cross section for connection
KO 4756.0036327: 2 x 2.5 mm² solid
max. 2 x 1.5 mm² stranded ferruled DIN 46228-1/-2/-3
max. 2 x 1 mm² stranded ferruled DIN 46228-4
KO 4756.0039462: \varnothing 0.1 to \varnothing 0.6 solid for switch cable DIN VDE 0813
and flexible wire DIN 57814

Insulation of wires length: 8 mm

Max. cross resistance to
printed circuit board: 20 m Ω

Max. current carrying capacity: 20 A

Wire fastening: Plus-minus terminal screws M3.5 with self-raising terminal washers, Function complying with IEC 60999-1

Torque: max. 0.4 Nm

Inner connection: machine solderable pins for PCB and solder points for strands wire \varnothing 1.8 mm max.

Enclosure fastener:
1) Snap-on fastener on top hat rail EN 60715
2) Screw fastening possible with retractable lugs, fastening dimension 80 mm, for 2 M4 screws

Creepage current resistance
PC: CTI 150 \cong insulating material III a IEC 60664-1
PC: CTI 450 \cong insulating material II IEC 60664-1

Air gap and creepage distances: Air gap \geq 3 mm IEC 60664-1
Creepage distance \geq 5 mm

Type of protection: Enclosure IP 40 IEC 60529
Terminals IP 20 IEC 60529
unmounted terminals: IP 20
unmounted terminals with blanking plug: IP 40

Print area: 30 x 21.5 mm

Printed circuit board: see Printed circuit board design

Printed circuit board holder: Guides in base and terminal plate

Accessories:
KO 4756-0-2: Blanking plug

