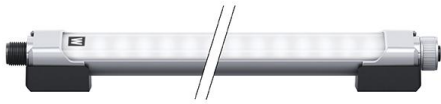


114089000-00803561



**light source**

- work equipment**
- connected load**
- Power consumption**
- luminous flux**
- luminous efficacy**
- light distribution**
- colour temperature**
- color rendering index (CRI)**
- glare control**
- System of protection**
- class of protection**
- technology**
- operation**
- luminaire body**

- lamp cover**
- weight (net)**
- mains supply**

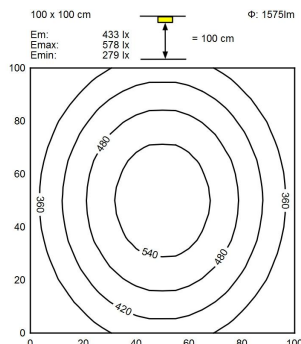
- design**
- Fastening**
- dimension**
- special features**

LED  
 Energy efficiency category A/A+/A++  
 without  
 22-26 V; DC  
 approx. 12,5 W  
 approx. 1575 lm  
 approx. 126 lm/W  
 direct  
 neutral white, approx. 5000 K  
 >= 80  
 screen  
 IP54  
 III  
 multi-stage switchable  
 external  
 aluminium/plastic, anodised; painted, aluminium coloured  
 anodised  
 Acrylic satine  
 approx. 0.5 kg  
 built-in plug  
 M12-A-5  
 mounted version  
 bracket  
 A=755mm, C=710mm, C1=740mm  
 ADVANCED package, through-wired



M12-A-5

**illuminance**



**luminous intensity**

