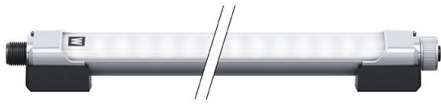


114085000-00803551



**light source**

**work equipment**  
**connected load**  
**Power consumption**  
**luminous flux**  
**luminous efficacy**  
**light distribution**  
**colour temperature**  
**color rendering index (CRI)**  
**glare control**  
**System of protection**  
**class of protection**  
**technology**  
**operation**  
**luminaire body**

**lamp cover**  
**weight (net)**  
**mains supply**

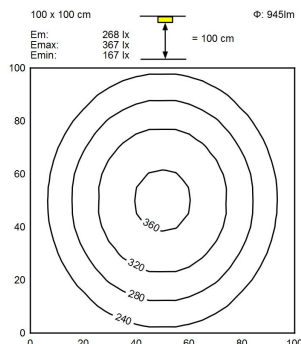
**design**  
**Fastening**  
**dimension**  
**special features**

LED  
 Energy efficiency category A/A+/A++  
 without  
 22-26 V; DC  
 approx. 7,5 W  
 approx. 945 lm  
 approx. 126 lm/W  
 direct  
 neutral white, approx. 5000 K  
 >= 80  
 screen  
 IP54  
 III  
 multi-stage switchable  
 external  
 aluminium/plastic, anodised; painted, aluminium coloured  
 anodised  
 Acrylic satine  
 approx. 0.3 kg  
 built-in plug  
 M12-A-5  
 mounted version  
 bracket  
 A=475mm, C=430mm, C1=460mm  
 ADVANCED package, through-wired



M12-A-5

**illuminance**



**luminous intensity**

