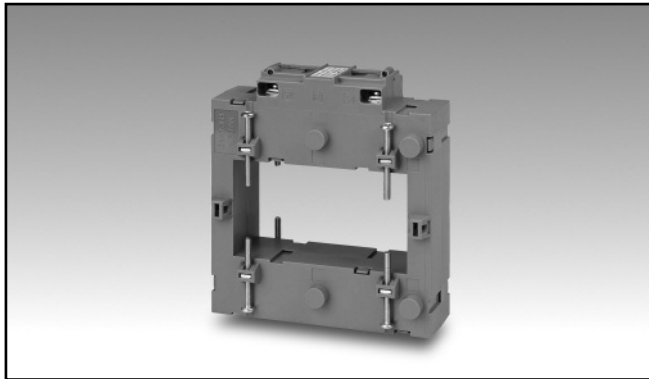


Accessories

AC Solid-core Current Transformer

Type CTD-8Q (max 55x100 mm)

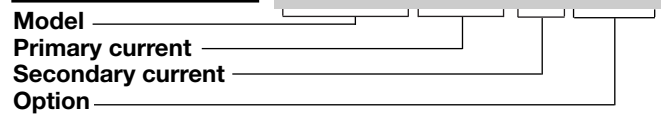


- Bus-bar type solid-core current transformer
- Accuracy class 0.5
- Current range from 1000 to 4000A
- Up to 8 bus-bar fixing screws
- Double screw terminals (up to 4-wire connections)
- Sealable terminal block covers

Product Description

Solid-core current transformer with bus-bar mounting facility. Rated primary current from 1000 to 4000A.

Ordering Key **CTD-8Q 4000 5A XXX**



Type Selection

Model	Primary current	Secondary current	Option
CTD-8Q	1000 1500 2000 2500 3000 4000	5A	XXX: none

Input Specifications

Operating frequency	50-60 Hz
Max. system voltage	0.72 kV
Rated insulation level	3 kV/1 min. @ 50 Hz
Insulation class	B
Short-time current rating I_{th} I_{dyn}	Typical $100 I_n / 1 s$ $2.5 I_{th}$ The short-time thermal current I_{th} is anyway limited by the cable/bus-bar size
Security factor (FS)	≤ 10

Working temperature	-30°C to +40°C (-22°F to 104°F) (R.H. < 90% non condensing @ 40°C)
Storage temperature	-30°C to +70°C (-22°F to 158°F) (R.H. < 90% non condensing @ 40°C)
Approvals	CE
Connection Cable cross section area	Screw type From 1.5 to 4 mm ²
Protection degree	IP20
Bus-bar size	Max. 55x100 mm
Weight	< 1.1 Kg

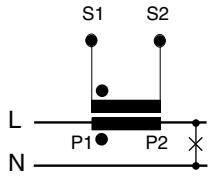
General Specifications

Standards	According to EN60044-1
Housing	Polycarbonate UL94 V2
Mounting	Bus-bar mounting
Standard accessories	Two terminal block screws. Eight bus-bar fixing screws. Two sealable terminal block covers.

Output Specifications

Rated secondary current	5 A
Burden	15 VA

Wiring Diagram



Dimensions (mm)

