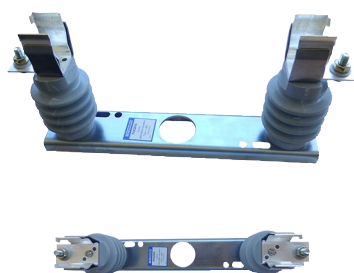


Fuse-bases for cylindrical fuse-links

diameters 20 and 36mm

FUSE HOLDERS, FUSE BASES AND SUPPORTS

SEMICONDUCTOR & SPECIAL PURPOSE FUSE BASES & ACCESSORIES



Fuse holders for ferrule-type fuses

- 20.6 x 190
- 36 x 127
- 36 x 190
- 36 x 250
- 36 x 400

Vibration withstand:

These semiconductor AC/DC ferrule fuse holders are tested with sine vibrations carried out at ambient, scanning each of the 3 main axes.

Spectrum: 1st segment (2 to 16 Hz) constant displacement $x = 5$ mm peak.

2nd segment (16 to 250 Hz) constant acceleration $\gamma = 5$ g peak.

Exponential scanning speed: 1 octave per minute.

Duration: 2 hours per axis

FEATURES & BENEFITS

- Sturdy assembly with very high collision withstand
- Mounting as base with or without microswitch
- Polyester isolators for all applications

APPLICATIONS

- SI 36x127 BS fuse holder may be used for rolling stock
- "TRAC" for SI 36x190 and SI 36x400 means that fuse holder may be used for rolling stock with reinforced fixing of clips on isolators

Fuse-bases for cylindrical fuse-links

diameters 20 and 36mm

PRODUCT RANGE

Fuse-bases SI, size 20.6x190

Catalog number	Reference number	Size	Rated voltage AC (IEC)	Rated voltage DC (IEC)	Rated current I _n	Rated impulse withstand voltage U _{imp}	Tightening torque	Design	Weight	Package
SI85-20-190	Y092665	20.6x190	7200 V	7200 V	50 A	60 kV	10 ± 2 Nm	M8 screws	60 g	1
SI85-20190TRACM	B220525	20.6x190	7200 V	7200 V	50 A	60 kV	10 ± 2 Nm	M8 screws	1.2 kg	1

Fuse-bases SI, size 36x127

Catalog number	Reference number	Size	Rated voltage AC (IEC)	Rated voltage DC (IEC)	Rated current I _n	Tightening torque	Design	Weight	Package
SI36127BS	N091920	36x127	2500 V	2500 V	200 A	7 ± 1,5 Nm	M5 screws	0.535 kg	1
SI36127BSMCR	E091935	36x127	2500 V	2500 V	200 A	7 ± 1,5 Nm	M5 screws	0.572 kg	1

Fuse-bases SI, size 36x190

Catalog number	Reference number	Size	Rated voltage AC (IEC)	Rated voltage DC (IEC)	Rated current I _n	Rated impulse withstand voltage U _{imp}	Tightening torque	Design	Weight	Package
SI85-36-190TRA	C092738	36x190	7200 V	7200 V	100 A	60 kV	10 ± 2 Nm	M8 screws	1.295 kg	1
SI85-36190TRACM	B220617	36x190	7200 V	7200 V	100 A	60 kV	10 ± 2 Nm	M8 screws	1.36 kg	1

Fuse-bases SI, size 36x250

Catalog number	Reference number	Size	Rated voltage AC (IEC)	Rated voltage DC (IEC)	Rated current I _n	Rated impulse withstand voltage U _{imp}	Tightening torque	Design	Weight	Package
SI85-36-250	P092864	36x250	7200 V	7200 V	50 A	60 kV	10 ± 2 Nm	M8 screws	1.32 kg	1

Fuse-bases SI, size 36x400

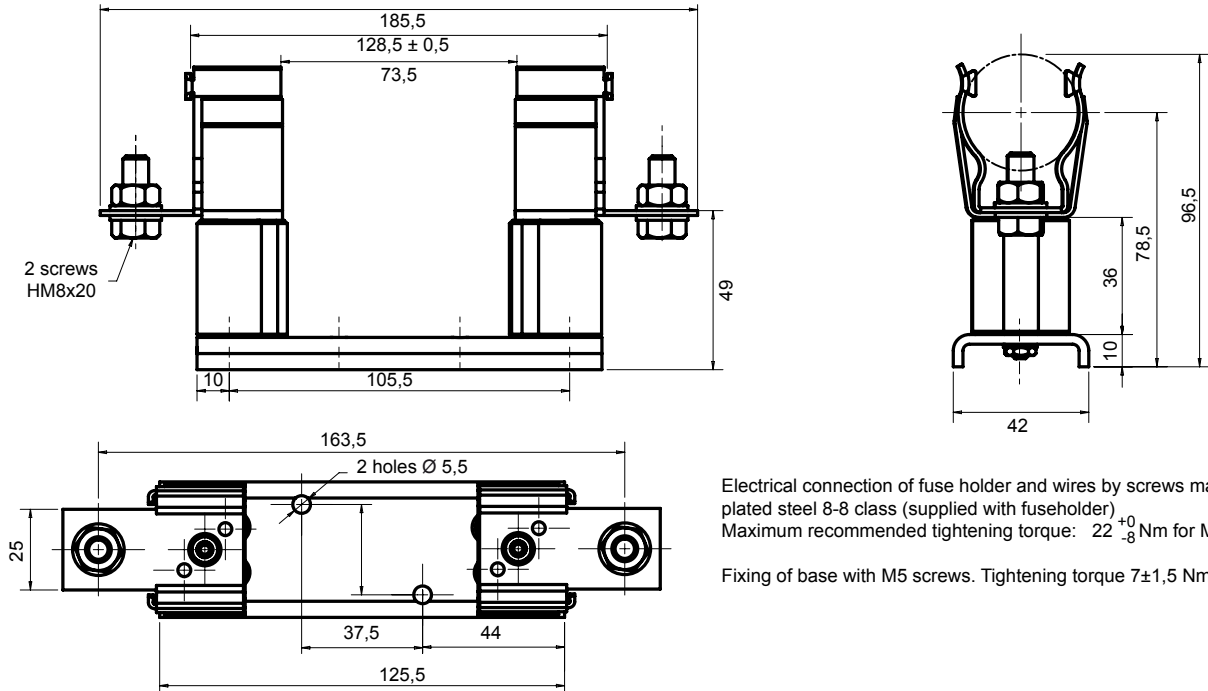
Catalog number	Reference number	Size	Rated voltage AC (IEC)	Rated voltage DC (IEC)	Rated current I _n	Rated impulse withstand voltage U _{imp}	Tightening torque	Design	Weight	Package
SI85-36400TRAC	D092831	36x400	7200 V	7200 V	20 A	60 kV	10 ± 2 Nm	M8 screws	1400 g	1

Fuse-bases for cylindrical fuse-links

diameters 20 and 36mm

DIMENSIONS

SI 36x127 without microswitch



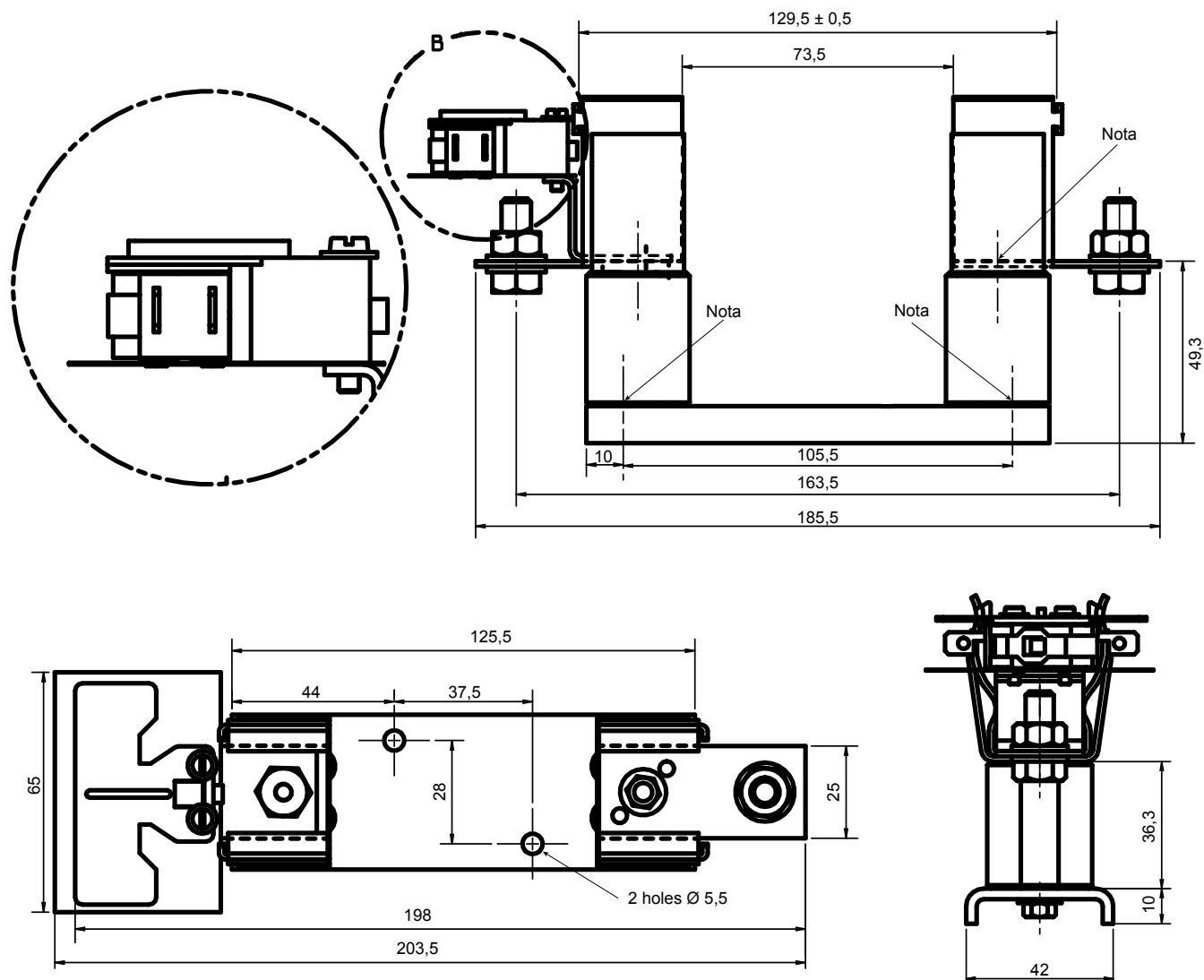
Dimensions in mm

Fuse-bases for cylindrical fuse-links

diameters 20 and 36mm

DIMENSIONS

SI 36x127 with microswitch



Dimensions in mm

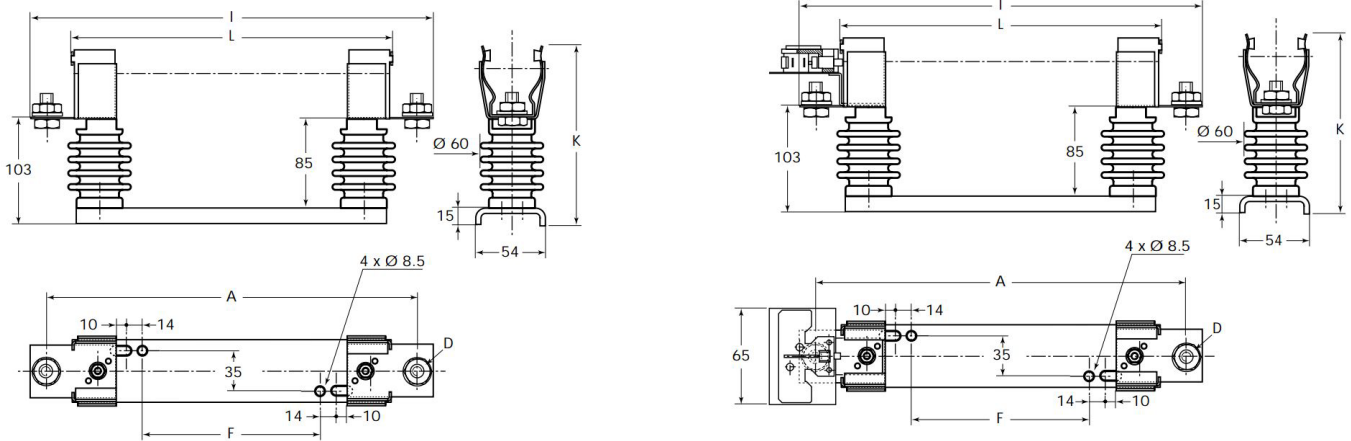
MERSEN reserves the right to change, update or correct, without notice, any information contained in this datasheet.

Fuse-bases for cylindrical fuse-links

diameters 20 and 36mm

DIMENSIONS

SI 20x190, 36x190, 36x250, 36x400 with & without microswitch



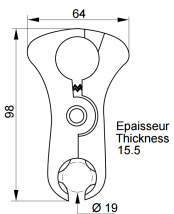
Designation	Catalog number	I	L	A	F	D	K
SI 85 20x190	SI85-20-190	241	192	223	73	6.5	131
SI 85 20 x 190 + MC 1-5	SI85-20190TRACM	288	192	223	73	6.5	
SI 85 36 x 190 TRAC	SI85-36-190TRA	250	194	228	73	8.5	150.5
SI 85 36 x 190 + MC 2R1-5	SI85-36190TRACM	250	194	228	73	8.5	
SI 85 36 x 250	SI85-36-250	316	260	294	139	8.5	
SI 85 36 x 400 TRAC	SI85-36400TRAC	455	399	433	266	8.5	

Electrical connection of fuse holder and wires by screws made in plated steel 8-8 class (supplied with fuseholder)
 Maximum recommended tightening torque: 22^{+0}_{-8} Nm for M8 screw (SI 85 20x...)

Fixing of base with M8 screws. Tightening torque 10 ± 2 Nm

Dimensions in mm

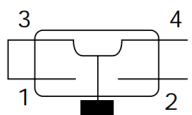
SI 20x190 only



Cat. Number: PMCP 20 + 22
 Ref. Number: K 100036
 Weight: 40 g
 Packaging: 1

Dimensions in mm

Microswitch characteristics



With hand reset reversing-type microswitch 10A - 250V AC with $\cos \phi = 0.3$
 #1 and 3 terminals must always be connected
 Each microswitch weighs less than 100g, therefore no fume and smoke grade required
 Positive operating voltage/current : 20 V - 100 mA
 6.35 mm slip on connector tags

Microswitch current rating	Interrupting rating
10A - 50Hz	7A - 250V
10A - DC	10A - 30V
	2.2A - 110V

Positive operating voltage/current : 20 V - 100 mA
 6.35 mm slip on connector tags