



CONNECT AND PROTECT

Eurorack

12/2022


nvent

SCHROFF

Cabinets – Eurorack

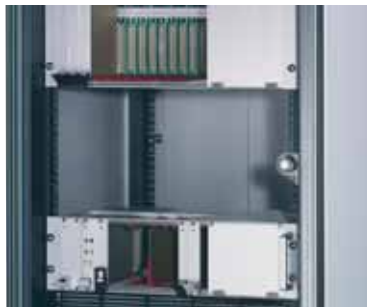
OVERVIEW

MAIN CATALOG

- Cabinets 1
- Wall mounted cases 2
- Accessories for cabinets and wall mounted cases .. 3
- Climate control .. 4
- Electronics cases 5
- Subracks/ 19" chassis 6
- Front panels, plug-in units 7
- Systems 8
- Power supply units 9
- Backplanes 10
- Connectors, front panel component system 11
- Appendix 12



00105003



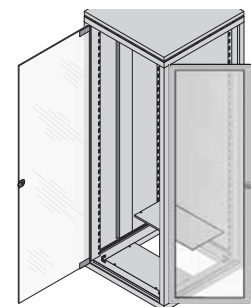
00105004

19" grid integrated in upright



00105005

Simple solution for shortened doors



00105066

Doors can also be assembled laterally

STANDARDS/CERTIFICATIONS

- External and internal dimensions in accordance with IEC 60297-3-100
- Type of ingress protection: IP 40, in accordance with IEC 60529
- Protective GND/earthing connections in accordance with DIN EN 50178/VDE 0160

Cabinets – Eurorack

OVERVIEW

19" ELECTRONIC CABINET

- Type of ingress protection up to IP 40
- Bolted frame, die-castings and aluminium profiles, with inset covers
- Static load-carrying capacity 400 kg
- New colours: RAL 7021 (black grey) or RAL 7021/RAL 7035 (black grey/light grey) colour combination

CABINET WITH FRONT AND REAR DOOR



- 38 and 43 U
- Depth 600 and 800 mm

CABINET WITHOUT FRONT AND REAR DOOR



- 34, 38, 43 and 47 U
- Depth 600 and 800 mm

SERVICEPLUS

- e.g. individual configuration and assembly
- e.g. modifications (special colours or sizes)
- e.g. variants of uprights
- e.g. custom solutions (electromagnetically shielded applications)

Overview 1.270

Introduction 1.272

Dimensions 1.274

eurorack

19" cabinets with front and rear door . 1.276

19" cabinets without front and rear door . 1.277

Front/rear doors . . . 1.278

Door hinge bracket for shortened doors . 1.279

Base plates 1.280

Bases/plinths 1.280

Cable ducting with C-profiles 1.282

Cable eyes for C-profile 1.283

Slide rails 1.284

Cable ties 1.283

Fixed/telescopic shelves 1.285

Cable trays 1.287

Cable ties 1.288

Velcro 1.288

ServicePLUS configuration 19" eurorack 1.289

ServicePLUS configuration Universal eurorack . 1.300

Cabinets – Eurorack

EURORACK - THE "CLASSIC"



00108005

Handsome to behold is this classic among electronics cabinets, and with good reason. Its load-bearing frame consists of a die-cast aluminium frame and aluminium uprights whose fluting gives the impression of classical pillars. Thus in eurorack - and also in NOVASTAR - the cladding parts are not fitted externally on the frame but rather inside between the frame and uprights. Thus they remain visible and give the cabinet its unmistakable look.

The cabinet is available in two colour schemes.

The basic frame and top cover are always in black grey (RAL 7021). With black grey claddings (side panels, doors and rear panels) you get an entirely black cabinet, as it is the contemporary look in recording studios and data centres.

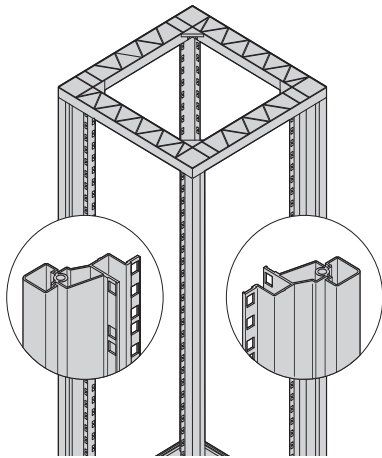
Alternatively, select the cladding components in light grey (RAL 7035). The different colours of the frame and lateral parts give particular emphasis to the aluminium profile.

Wholly classical yet timelessly modern!

Cabinets – Eurorack

EURORACK - FRAMES

19" frame



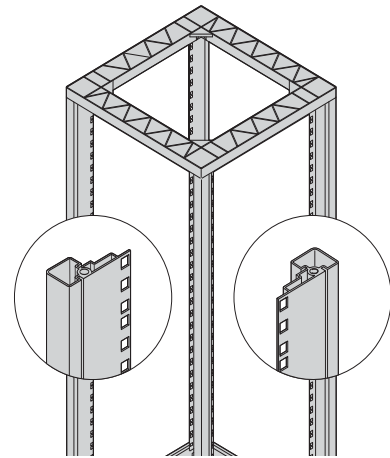
00108058

Unlike with other cabinet concepts, where the height of a cabinet is determined by common mm intervals in its exterior dimensions, eurorack is systematically oriented along the interior dimensions, using the height units of the 19" system. 19" components are thus flush in height with the frame and without disruptive gaps.

So that likewise no gaps occur in the width there is the 19" frame, with the 19" plane already integrated in the vertical cabinet uprights. When fully equipped with 19" components, the cabinet therefore looks superb without any cover trims, decorative frames or doors.

Nevertheless, if a door is required, the eurorack glazed door is a clear design option, with 60 mm space in front of the 19" mounting for assembly.

Universal frame

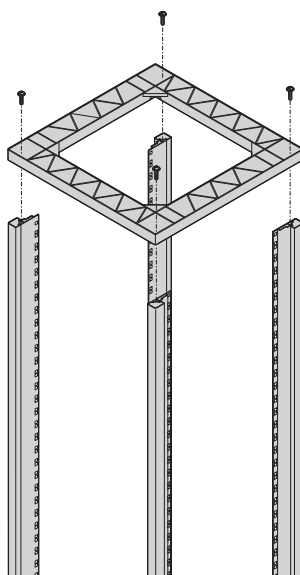


01008059

If more space is required in front of the 19" plane, the user can fall back on the Universal frame and fit separate 19" panel/slide mounts. These can then be positioned at 25 mm intervals on the depth members.

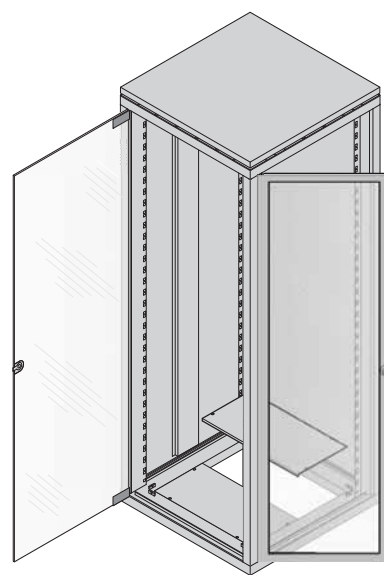
However, 800 mm wide cabinets can also be realised using the Universal frame. For example, equipped with shelves for the greatest possible surface or with components that require more flexibility than 19" technology.

FURTHER FEATURES



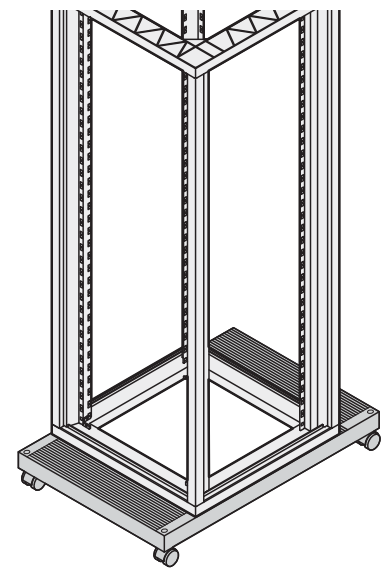
00108060

Die-cast frame and frame are bolted; the cabinet can thus be dismantled



00105066

Because of their symmetrical upright dimensions, doors can also be used on the sides.

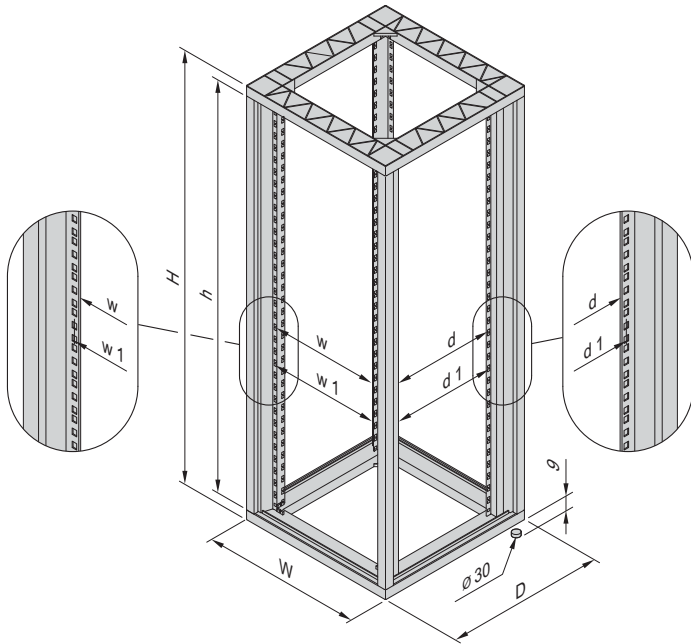


00108052

Mobility with mobile base

Cabinets – Eurorack

DIMENSIONS 19" FRAME



Height

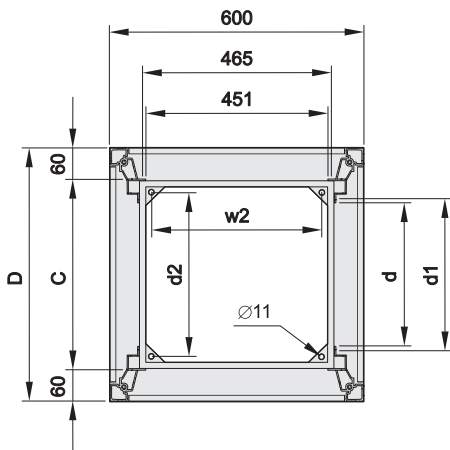
| H with feet mm | H without feet mm | Usable height h U | mm |
|-------------------|----------------------|----------------------|--------|
| 998 | 989 | 20 | 890.5 |
| 1220 | 1211 | 25 | 1112.5 |
| 1398 | 1389 | 29 | 1290.5 |
| 1620 | 1611 | 34 | 1512.5 |
| 1798 | 1789 | 38 | 1690.5 |
| 2020 | 2011 | 43 | 1912.5 |
| 2198 | 2189 | 47 | 2090.5 |

Width

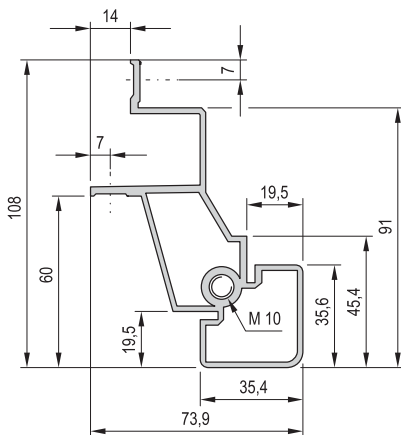
| Cabinet width W | Upright distance w | Bolt-on dimension w1 | Distance between feet w2 |
|--------------------|-----------------------|-------------------------|-----------------------------|
| mm | mm | mm | mm |
| 600 | 451 | 465 | 502 |

Depth

| Cabinet depth D | C-dimension c | Upright distance d | Bolt-on dimension d1 | Distance between feet d2 |
|--------------------|------------------|-----------------------|-------------------------|-----------------------------|
| mm | mm | mm | mm | mm |
| 600 | 480 | 382 | 396 | 444 |
| 800 | 680 | 582 | 596 | 644 |
| 900 | 780 | 682 | 696 | 744 |

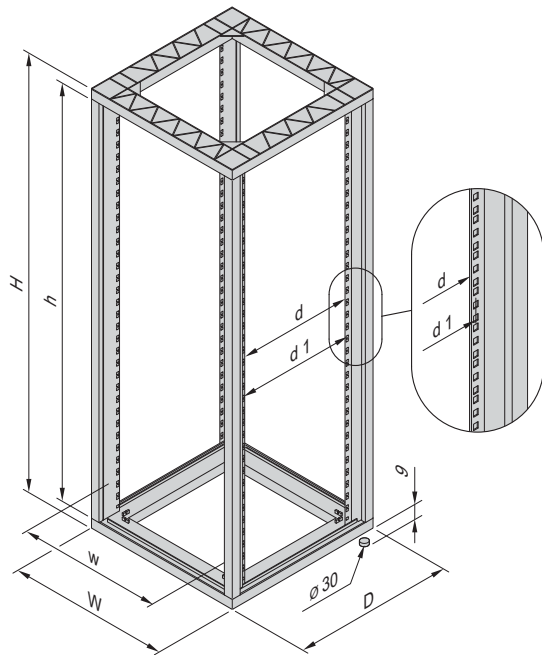


Upright 60 mm recessed



Cabinets – Eurorack

DIMENSIONS UNIVERSAL FRAME

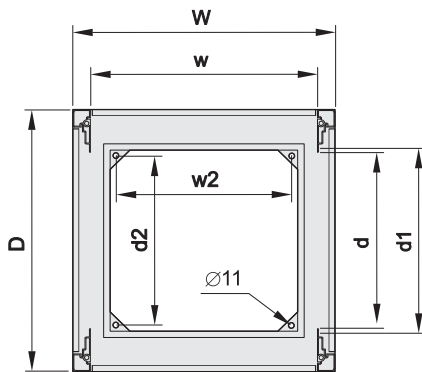


Height

| H with feet mm | H without feet mm | Usable height h U | mm |
|-------------------|----------------------|----------------------|--------|
| 998 | 989 | 20 | 890.5 |
| 1220 | 1211 | 25 | 1112.5 |
| 1398 | 1389 | 29 | 1290.5 |
| 1620 | 1611 | 34 | 1512.5 |
| 1798 | 1789 | 38 | 1690.5 |
| 2020 | 2011 | 43 | 1912.5 |
| 2198 | 2189 | 47 | 2090.5 |

Width

| Cabinet width W mm | Upright distance w mm | Distance between feet w2 mm |
|--------------------------|-----------------------------|-----------------------------------|
| 600 | 528 | 502 |
| 800 | 728 | 702 |

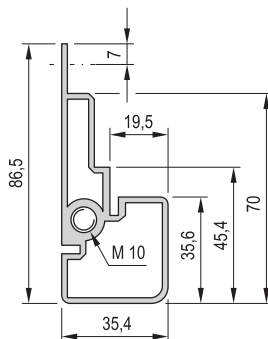


Depth

| Cabinet depth D mm | Upright distance d mm | Bolt-on dimension d1 mm | Distance between feet d2 mm |
|--------------------------|-----------------------------|-------------------------------|-----------------------------------|
| 600 | 426 | 440 | 444 |
| 800 | 626 | 640 | 644 |
| 900 | 726 | 740 | 744 |

00105056

00105059



00106052

Cabinets – Eurorack

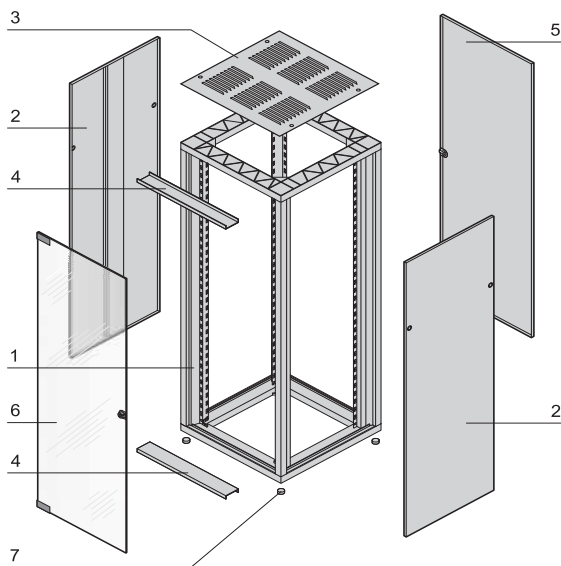
19" CABINET WITH FRONT AND REAR DOOR



- Front: smoked glass door, rear: steel door
- 19" cut-outs in front and rear uprights
- Inset covers
- Type of protection IP 40
- Available in two colour combinations:
 - Frame, side panels, door and top cover in black grey (RAL 7021)
 - Frame and top cover in black grey (RAL 7021), side panels and door in light grey (RAL 7035)

DELIVERY COMPRISES (assembled)

| Item | Qty | Description |
|------|-----|--|
| 1 | 1 | 19" frame, consisting of 2 Al die-cast frames, RAL 7021, 4 Al extrusion uprights with 19" cut-outs |
| 2 | 2 | Side panel, St, 1 mm, fixes with 2 side panel catches per panel, colour RAL 7021 (black grey) or RAL 7035 (light grey) see Order information |
| 3 | 1 | Top cover with vents, St, 1.5 mm, RAL 7021 |
| 4 | 2 | Trims, St, 1 mm, RAL 7021 (for decorative finishing at the top and at the bottom of the front assembly area) |
| 5 | 1 | Rear door, St, 1 mm, opening angle 120°, safety lock with 2 keys Colour RAL 7021 |
| 6 | 1 | Glass door, Sekurit, 6 mm, smoke grey, opening angle 120°, safety lock with 2 keys |
| 7 | 4 | Foot, Al |



00108002

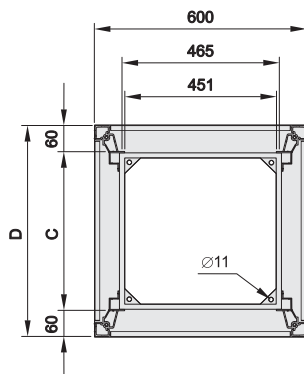
ORDER INFORMATION

| Usable height | Height H | Width W | Depth D | C | Colour RAL 7021 | ColourRAL 7021/RAL 7035 |
|---|----------|---------|---------|-----|-----------------|-------------------------|
| U | mm | mm | mm | mm | Part no. | Part no. |
| 38 | 1798 | 600 | 600 | 480 | 10117-537 | 10117-533 |
| 38 | 1798 | 600 | 800 | 680 | 10117-538 | 10117-535 |
| 43 | 2020 | 600 | 600 | 480 | 10117-539 | 10117-534 |
| 43 | 2020 | 600 | 800 | 680 | 10117-540 | 10117-536 |
| GND/earthing for frame, doors, side panels, top cover and base plate, PU 1 kit | | | | | | 21101-539 |
| Lifting eyes St, zinc-plated, M10, PU 4 pieces | | | | | | 20117-080 |
| Adjustable feet Load-carrying capacity 100 kg/foot, St and PA, black, PU 4 pieces | | | | | | 21101-201 |
| Castors Load-carrying capacity 100 kg/castor, PU 4 pcs | | | | | | 20117-024 |
| Castors Load-carrying capacity 60 kg/castor, PU 4 pcs | | | | | | 20117-757 |

00105060

NOTE

- Please order base/plinth separately, see page 1.280
- Other sizes available on ServicePLUS configuration, see from page 1.289
- Please find the new generation of 19" aluminium electronics cabinets under NOVASTAR, page 1.240



00105067

Cabinets – Eurorack

19" CABINET WITHOUT FRONT AND REAR DOOR



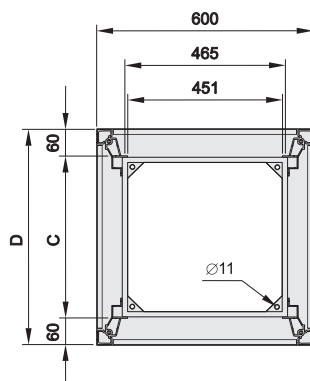
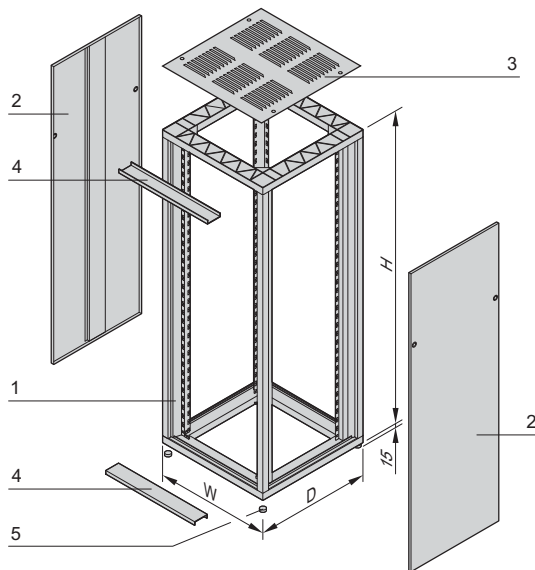
- Door combination freely selectable
- 19" cut-outs in front and rear uprights
- Inset covers
- Available in two colour combinations:
 - frame, side panels and top cover in black grey (RAL 7021)
 - frame and top cover in black grey (RAL 7021) side panels in light grey (RAL 7035)

DELIVERY COMPRISES (assembled)

| Item | Qty | Description |
|------|-----|--|
| 1 | 1 | 19" frame, consisting of 2 Al die-cast frames, RAL 7021, 4 Al extrusion uprights with 19" cut-outs |
| 2 | 2 | Side panel, St, 1 mm, fixes with 2 side panel catches per panel, colour RAL 7021 (black grey) or RAL 7035 (light grey) see Order information |
| 3 | 1 | Top cover with vents, St, 1.5 mm, RAL 7021 |
| 4 | 2 | Trim, St, 1 mm, RAL 7021 (for decorative finishing at top and bottom of front assembly area) |
| 5 | 4 | Foot, Al |

ORDER INFORMATION

| Usable height | Height H | Width W | Depth D | C | Colour RAL 7021 | Colour RAL 7021/RAL 7035 |
|---|----------|---------|---------|-----|-----------------|--------------------------|
| U | mm | mm | mm | mm | Part no. | Part no. |
| 34 | 1567 | 600 | 600 | 480 | 10117-541 | 10117-527 |
| 34 | 1567 | 600 | 800 | 680 | 10117-544 | 10117-530 |
| 38 | 1798 | 600 | 600 | 480 | 10117-542 | 10117-528 |
| 38 | 1798 | 600 | 800 | 680 | 10117-545 | 10117-531 |
| 43 | 2020 | 600 | 600 | 480 | 10117-543 | 10117-529 |
| 43 | 2020 | 600 | 800 | 680 | 10117-546 | 10117-532 |
| 47 | 2198 | 600 | 800 | 680 | 10117-547 | 10117-548 |
| GND/earthing for frame, doors, side panels, top cover and base plate, PU 1 kit | | | | | | 21101-539 |
| Lifting eyes St, zinc-plated, M10, PU 4 pieces | | | | | | 20117-080 |
| Adjustable feet Load-carrying capacity 100 kg/foot, St and PA, black, PU 4 pieces | | | | | | 21101-201 |
| Castors Load-carrying capacity 100 kg/castor, PU 4 pcs | | | | | | 20117-024 |
| Castors Load-carrying capacity 60 kg/castor, PU 4 pcs | | | | | | 20117-757 |

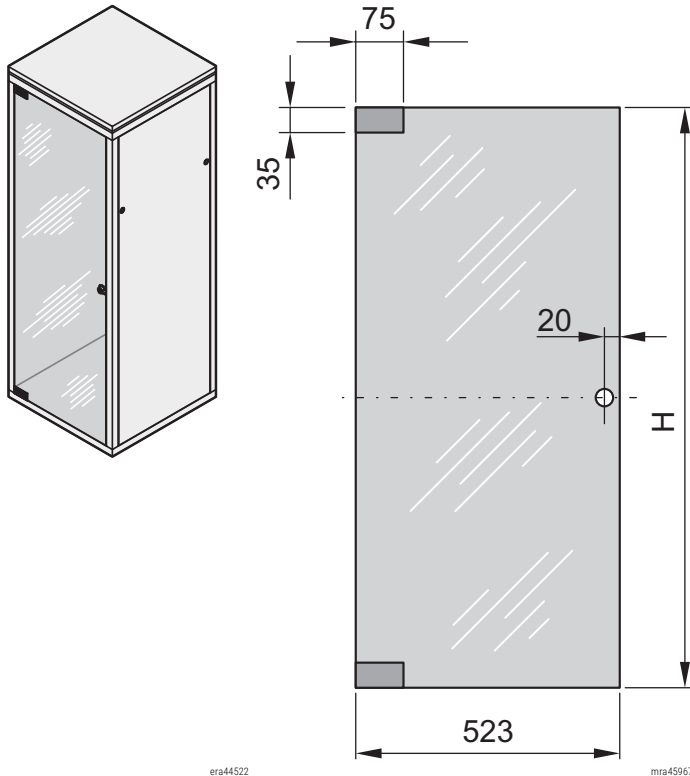


NOTE

- Please order base/plinth separately, see page 1.280
- Please order front and rear door separately, see page 1.278
- Other sizes available on ServicePLUS configuration, see from page 1.289
- Please find the new generation of 19" aluminium electronics cabinets under NOVASTAR, page 1.240

Cabinets – Eurorack

GLASS DOOR, 120° OPENING ANGLE



- Can be assembled on all four sides
- Opening angle 120°

DELIVERY COMPRISES

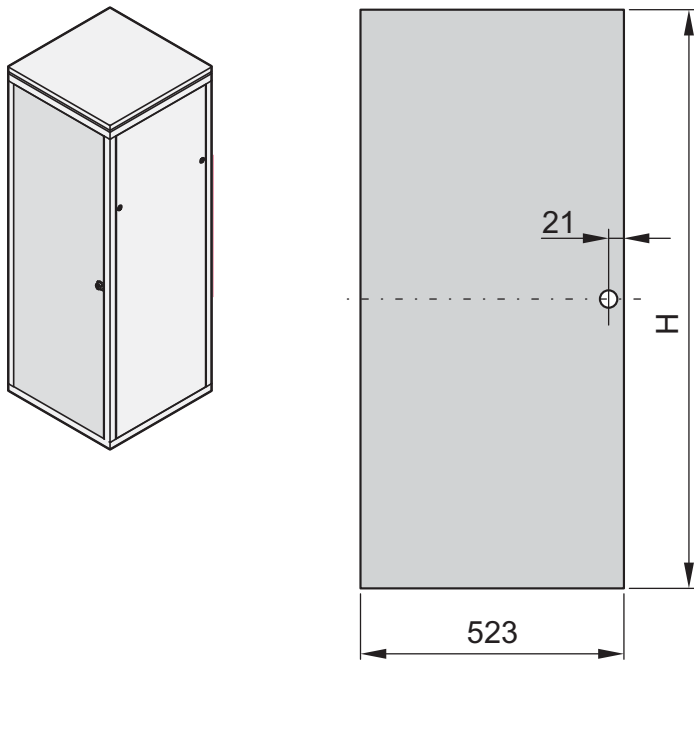
| Item | Qty | Description |
|------|-----|---------------------------------------|
| 1 | 1 | Glass door, Sekurit, 6 mm, smoke grey |
| 2 | 1 | Safety lock with 2 keys |
| 3 | 2 | Hinge, St, 3 mm, black (RAL 9005) |
| 4 | 1 | Assembly kit |

ORDER INFORMATION

| For cabinet height mm | Usable height U | H mm | For cabinet width mm | Part no. |
|--------------------------|--------------------|---------|-------------------------|------------------|
| 782 | 16 | 733 | 553 | 20117-744 |
| 945 | 20 | 911 | 553 | 20117-745 |
| 1167 | 25 | 1133 | 553 | 20117-746 |
| 1290 | 29 | 1311 | 553 | 20117-747 |
| 1567 | 34 | 1534 | 553 | 20117-748 |
| 1798 | 38 | 1711 | 553 | 20117-749 |
| 2020 | 43 | 1934 | 553 | 20117-751 |
| 2198 | 47 | 2111 | 553 | 20117-752 |

- Doors with opening angle 180° see page 1.291
- Further dimensions available on ServicePLUS, see from page 1.291

STEEL DOOR, 120° OPENING ANGLE



- Can be assembled on all four sides
- Opening angle 120°
- Colour black grey (RAL 7021) or light grey (RAL 7035)

DELIVERY COMPRISES

| Item | Qty | Description |
|------|-----|-------------------------|
| 1 | 1 | Steel door, St, 1 mm |
| 2 | 1 | Safety lock with 2 keys |
| 3 | 1 | Assembly kit |

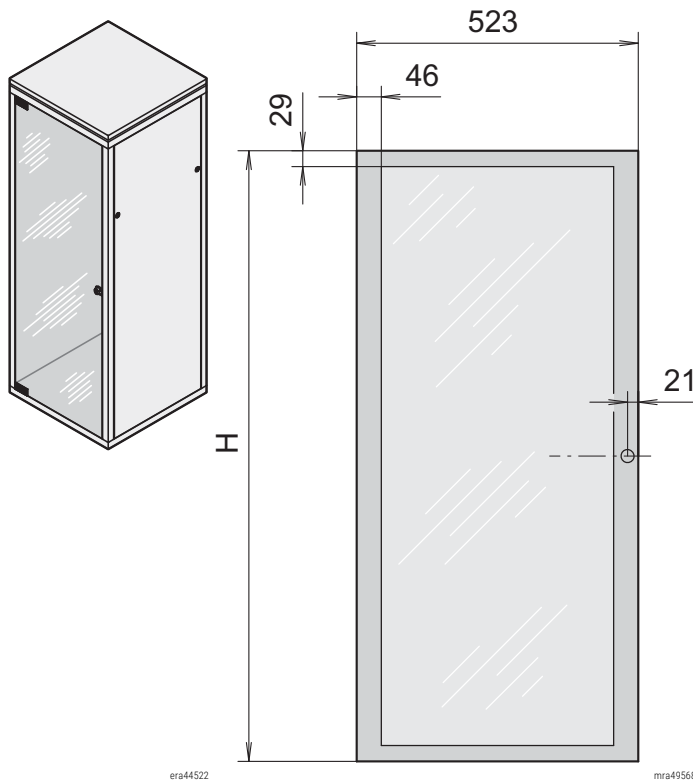
ORDER INFORMATION

| For cabinet height mm | Usable height U | H mm | For cabinet width mm | Colour RAL 7021 Part no. | ColourRAL 7035 Part no. |
|--------------------------|--------------------|---------|-------------------------|--------------------------------|-------------------------------|
| 767 | 16 | 733 | 600 | 22117-934 | 21117-184 |
| 945 | 20 | 911 | 600 | 22117-935 | 21117-185 |
| 1167 | 25 | 1133 | 600 | 22117-936 | 21117-186 |
| 1290 | 29 | 1311 | 600 | 23117-012 | 21117-187 |
| 1567 | 34 | 1534 | 600 | 22117-937 | 21117-188 |
| 1798 | 38 | 1711 | 600 | 22117-938 | 21117-189 |
| 2020 | 43 | 1934 | 600 | 22117-940 | 21117-190 |
| 2198 | 47 | 2111 | 600 | 22117-942 | 21117-191 |

- Further dimensions available on ServicePLUS, see from page 1.292
- **180°** steel door with lever handle see ServicePLUS configuration, page 1.292

Cabinets – Eurorack

GLAZED DOOR, 120° OPENING ANGLE



- Can be assembled on all four sides
- Opening angle 120°
- Frame colour: black grey (RAL 7021) or light grey (RAL 7035)

DELIVERY COMPRISES

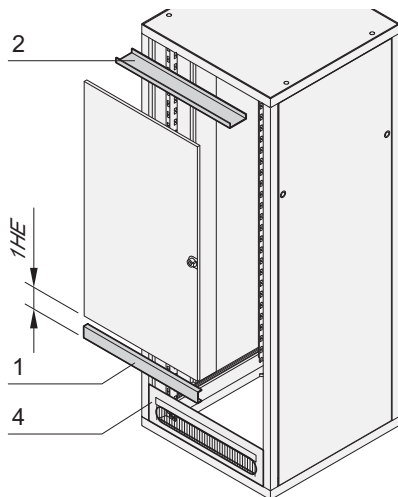
| Item | Qty | Description |
|------|-----|--------------------------------|
| 1 | 1 | Door frame, Al, 2 mm, RAL 7035 |
| 2 | 1 | Plexiglass pane, 2 mm, clear |
| 3 | 1 | Safety lock with 2 keys |
| 4 | 1 | Assembly kit |

ORDER INFORMATION

| For cabinet height mm | Usable height U | H mm | For cabinet width mm | Colour RAL 7021 Part no. | Colour RAL 7035 Part no. |
|-----------------------|-----------------|------|----------------------|--------------------------|--------------------------|
| 782 | 16 | 733 | 600 | 22117-943 | 20117-769 |
| 945 | 20 | 911 | 600 | 22117-944 | 20117-770 |
| 1167 | 25 | 1133 | 600 | 22117-945 | 20117-771 |
| 1290 | 29 | 1311 | 600 | 23117-011 | 20117-772 |
| 1567 | 34 | 1534 | 600 | 22117-946 | 20117-765 |
| 1798 | 38 | 1711 | 600 | 22117-947 | 20117-766 |
| 2020 | 43 | 1934 | 600 | 22117-949 | 20117-767 |
| 2198 | 47 | 2111 | 600 | 22117-951 | 20117-768 |

- Further dimensions available on ServicePLUS configuration, see page 1.292

DOOR HINGE BRACKET FOR SHORTENED DOORS



- For doors which do not cover the full cabinet height
- 1 U space required (may be mounted above and below the door)
- The clearance can be covered with 19" filler panels or with cable ducting plates 3 U/4 U

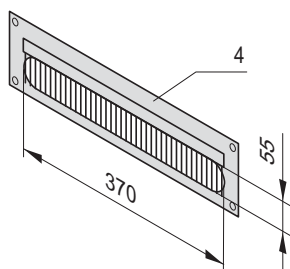
DELIVERY COMPRISES (kit)

| Item | Qty | Description |
|------|-----|---|
| 1 | 1 | Door hinge bracket, 19", St, 1.5 mm, RAL 7021 |
| 2 | 1 | Trim, St, 1 mm, RAL 7021, cover for frame |
| 3 | 1 | Assembly kit |

ORDER INFORMATION

| Description | Part no. |
|--|------------------|
| Door hinge bracket for shortened doors | 22117-798 |
| Item 4 Cable ducting 3 U , RAL 7021, with brush strip and fixing materials kit, 1 piece | 20118-796 |
| Item 4 Cable ducting 4 U , RAL 7021, with brush strip and fixing materials kit, 1 piece | 20118-797 |

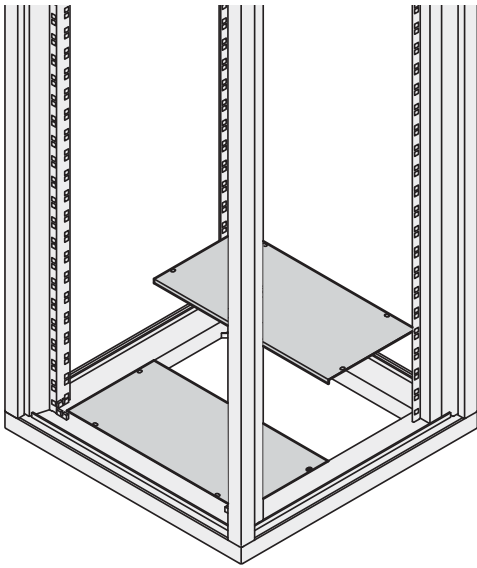
- 19" front panels see chapter Cabinet Accessories, page 3.2



Cable ducting plate

Cabinets – Eurorack

BASE PLATES



00108051

- For covering the base opening, two parts
- Mounting on frame, overlaying

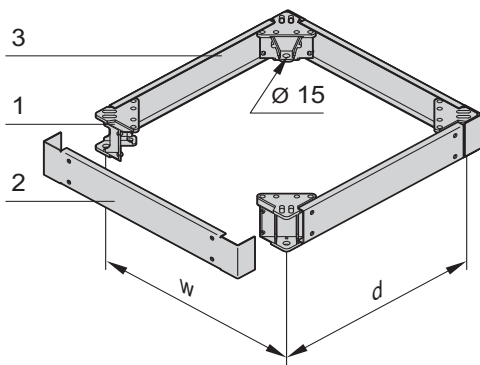
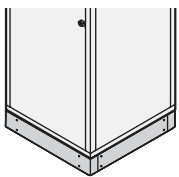
DELIVERY COMPRISES

| Item | Qty | Description |
|------|-----|--|
| 1 | 2 | Base plate, St, 1.5 mm, RAL 7021, width 469 mm, depth 234 mm (at cabinet depth 600 mm), depth 334 mm (at cabinet depth 800 mm) |
| 2 | 1 | Assembly kit |

ORDER INFORMATION

| For cabinet width mm | For cabinet depth mm | Part no. |
|-------------------------|-------------------------|------------------|
| 600 | 600 | 22117-826 |
| 600 | 800 | 22117-827 |

PLAIN BASES/PLINTHS



ERA44532 00108057

- Height 100 mm
- Covers removable from all sides

DELIVERY COMPRISES

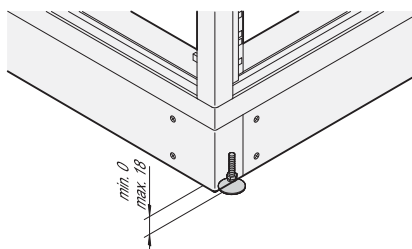
| Item | Qty | Description |
|------|-----|---|
| 1 | 4 | Corner piece, Al die-cast |
| 2 | 2 | Cover, St, 2.5 mm, RAL 7021, for front and rear |
| 4 | 2 | Cover, St, 2.5 mm, RAL 7021, for sides |
| 4 | 1 | Assembly kit |

ORDER INFORMATION

| For cabinet width mm | For cabinet depth mm | Part no. |
|-------------------------|-------------------------|------------------|
| 600 | 600 | 22117-830 |
| 600 | 800 | 22117-831 |

Adjustable feet Load-carrying capacity 100 kg/foot, St and PA, black, PU 4 pieces

21101-201



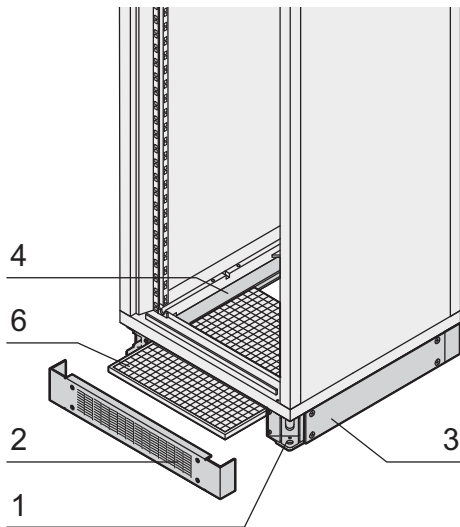
era44553

NOTE

- Castors cannot be used with a base/plinth

Cabinets – Eurorack

BASES/PLINTHS WITH VENTILATION



- Height 100 mm
- Covers removable on all sides
- Can be assembled with filter

DELIVERY COMPRISES (Kit)

| Item | Qty | Description |
|------|-----|--|
| 1 | 4 | Corner piece, Al die-cast |
| 2 | 2 | Cover, St, 2.5 mm, RAL 7021, for front and rear, with vent slots |
| 3 | 2 | Cover, St, 2.5 mm, RAL 7021, for sides |
| 4 | 2 | Filter retention |
| 5 | 1 | Assembly kit |

ORDER INFORMATION

| For cabinet width mm | For cabinet depth mm | Part no. |
|--|-------------------------|------------------|
| 600 | 600 | 22117-864 |
| 600 | 800 | 22117-865 |
| Filter mat Item 6 for cabinet depth 600 mm, width 600 mm, PU 3 pieces | | 60114-514 |
| Filter mat Item 6 for cabinet depth 800 mm, width 600 mm, PU 3 pieces | | 60114-515 |

ERTP0057

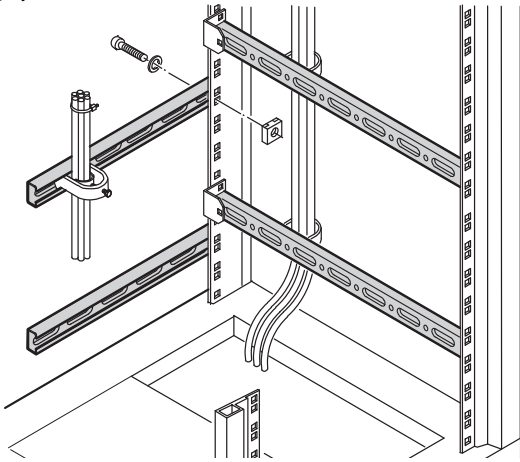
NOTE

- Filter mat not included, please order separately

Cabinets – Eurorack

MOUNTING SYSTEM WITH C-PROFILES

Mounting system



- The mounting system serves for assembly of horizontal and vertical mounting planes; C-profiles can be positioned freely by using combination and L-brackets in conjunction with slide nuts
- Slide nuts, cable eyes or cable shells can be inserted directly into the C-profiles

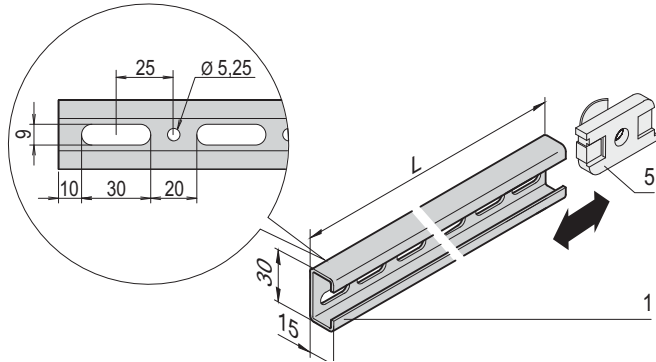
DELIVERY COMPRISES

| Item | Qty | Description |
|------|-----------------------|------------------------------------|
| 1 | see Order Information | C-profile, St, 1.5 mm, finish AlZn |

ORDER INFORMATION

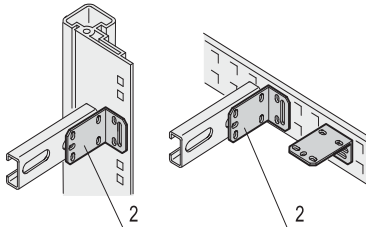
| For cabinet width mm | For cabinet depth mm | For cabinet height mm | Length L mm | Qty/PU piece | Part no. |
|----------------------|----------------------|-----------------------|-------------|--------------|------------------|
| 600 | 600 | – | 450 | 4 | 22114-455 |
| | 800 | – | 650 | 4 | 22114-457 |
| | 900 | – | 750 | 4 | 22114-458 |
| 800 | 600 | – | 650 | 4 | 22114-457 |
| | 800 | – | 650 | 4 | 22114-457 |
| – | – | 1600 | 1500 | 2 | 22114-460 |
| – | – | 1800 | 1650 | 2 | 22114-461 |
| – | – | 2000 | 1900 | 2 | 22114-462 |

C-profile/slide nut



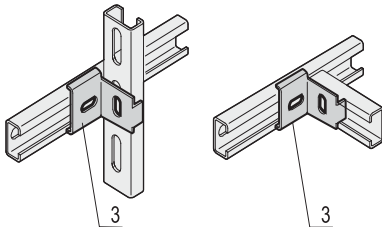
ertp0020

Mounting bracket



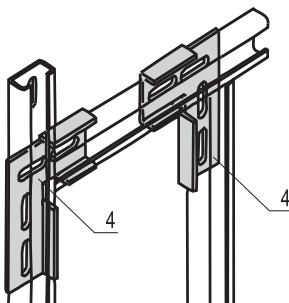
ertp0021

Combination bracket



ertp0022

L-bracket



ertp0024

ertp024a

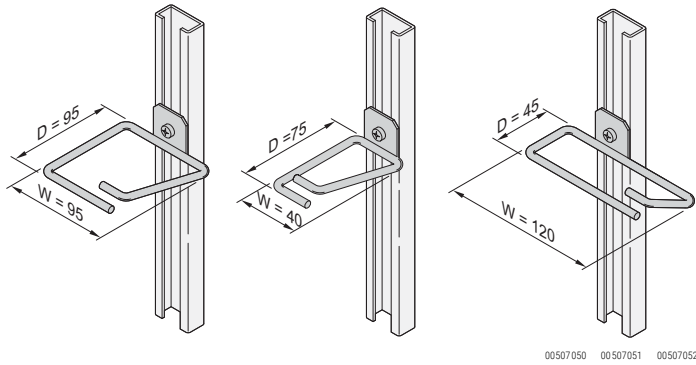
| | |
|---|--------------------|
| Item 2 Mounting bracket for cabinet upright or depth member assembly, St, 2.5 mm, zinc-plated, PU 4 pieces, incl. assembly kit | 21120-145 |
| Item 3 Combination bracket for connection of two C-profiles, St, 2.5 mm, zinc-plated, PU 4 pieces, incl. assembly kit | 21120-146 |
| Item 4 L-bracket for edge-to-edge or corner connection of two C-profiles, St, 2.5 mm, zinc-plated, 2 right hand brackets and 2 left hand brackets, incl. assembly kit | 21120-147 |
| Item 5 Slide nut for C-profiles, PU 10 pieces | 21120-140 |
| Item 5 Slide nut for C-profiles, PU 100 pieces | 21101-127 |
| Delivery: supplied loose with cabinet or frame | Part no./35 |

NOTE

- Please order mounting brackets separately

Cabinets – Eurorack

CABLE EYES FOR C-PROFILES



DELIVERY COMPRISES

| Item | Qty | Description |
|------|-----|---|
| 1 | 4 | Cable eye, round steel, 6 mm, zinc-plated, with integrated anti-rotation protection |

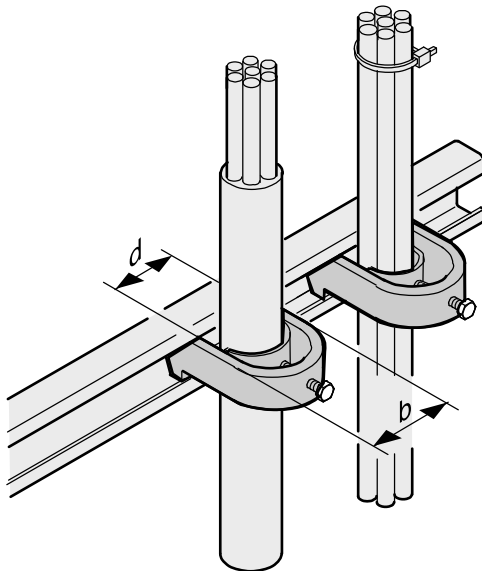
ORDER INFORMATION

| Description | W mm | D mm | Part no. |
|---|---------|---------|------------------|
| Cable eye for C-profile | 120 | 45 | 20118-339 |
| Cable eye for C-profile | 40 | 75 | 20118-554 |
| Cable eye for C-profile | 95 | 95 | 20118-340 |
| Assembly kit for 4 cable eyes, PU 1 kit | | | 21101-596 |

NOTE

- Please order assembly kit separately

CABLE SHELLS



- For mounting of cables on C-profiles and cable support rails

DELIVERY COMPRISES

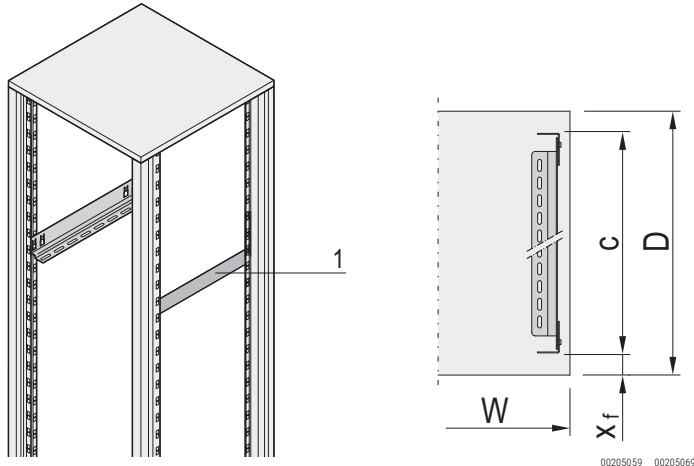
| Item | Qty | Description |
|------|-----|---|
| 1 | 10 | Cable shell, St, 2 mm, tin-plated, with plastic half shells |

ORDER INFORMATION

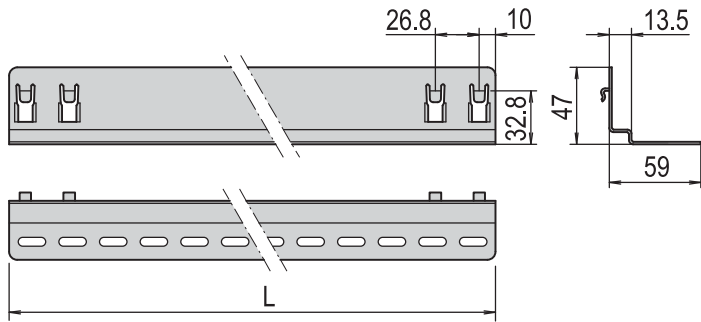
| For cable bundle d mm | b mm | Part no. |
|--------------------------|---------|------------------|
| 18 ... 22mm | 26 | 20118-775 |
| 22 ... 26mm | 30 | 20118-776 |
| 26 ... 30mm | 34 | 20118-777 |
| 30 ... 34mm | 38 | 20114-728 |
| 34 ... 38mm | 45 | 20114-729 |
| 38 ... 42mm | 48 | 20114-730 |
| 42 ... 46mm | 51 | 20114-731 |
| 46 ... 50mm | 54 | 20118-778 |

Cabinets – Eurorack

SLIDE RAIL



c = pitch of the 19" uprights



L = length

- For safe and simple installation of heavy 19" subracks
- Can be hung into the upright at 1 U increments
- Load-carrying capacity max. 25 kg per pair

DELIVERY COMPRISES

| Item | Qty | Description |
|------|-----|--|
| 1 | 10 | Slide rail for insertion, St, 1.5 mm, surface AlZn |
| 2 | 1 | Assembly kit |

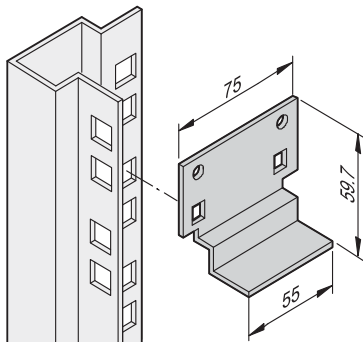
ORDER INFORMATION

| For cabinet depth | Length L | c | X _f | Part no. |
|-------------------|----------|-----|----------------|------------------|
| mm | mm | mm | mm | |
| 600 | 420 | 480 | 60 | 21127-197 |
| 800 | 620 | 680 | 60 | 21127-198 |

NOTE

- Can only be fitted to 19" upright
- Further dimensions available on ServicePLUS, see from page 1.298

SHORT SLIDE RAIL



sc96xxxx

- For mounting on the vertical cabinet uprights
- Can be hung at 1 U increments
- Static load-carrying capacity 15 kg max per pair

DELIVERY COMPRISES

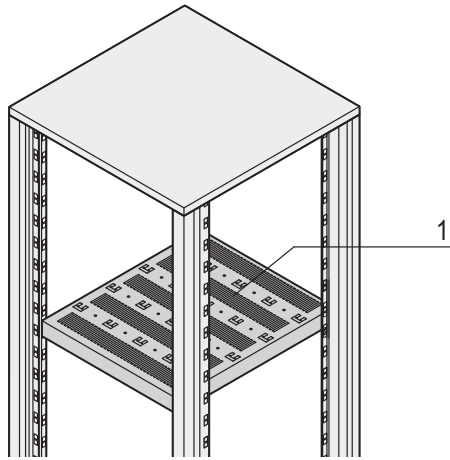
| Item | Qty | Description |
|------|--------|---|
| 1 | 2 / 10 | Short slide rail, St, 1,5 mm, finish AlZn |
| 2 | 1 | Assembly kit |

ORDER INFORMATION

| Description | Qty/PU | Part no. |
|------------------|--------|------------------|
| Short slide rail | 2 | 20118-592 |
| Short slide rail | 10 | 20118-593 |

Cabinets – Eurorack

19" FIXED SHELF, 75 KG



- Static load-carrying capacity 75 kg
- Mounting height 1 U, for mounting on cabinet uprights, full depth
- With hammer head perforation to fix cable ties

DELIVERY COMPRISES

| Item | Qty | Description |
|------|-----|-------------------------------------|
| 1 | 1 | Shelf, St, 1.5 mm, RAL 7021 |
| 2 | 1 | Assembly kit incl. GND/earthing kit |

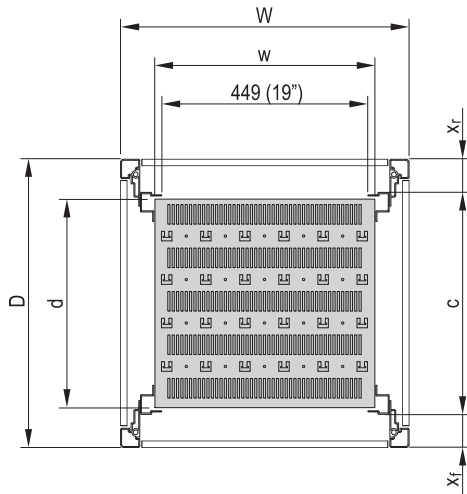
ORDER INFORMATION

| Cabinet dimensions W x D | Usable surface w x d | x _f | x _r | c | Part no. |
|-----------------------------|----------------------|----------------|----------------|-----|------------------|
| mm | mm | mm | mm | mm | |
| 600 x 600 | 477 x 443 | 60 | 60 | 480 | 22117-842 |
| 600 x 800 | 477 x 643 | 60 | 60 | 680 | 22117-843 |

00105054

NOTE

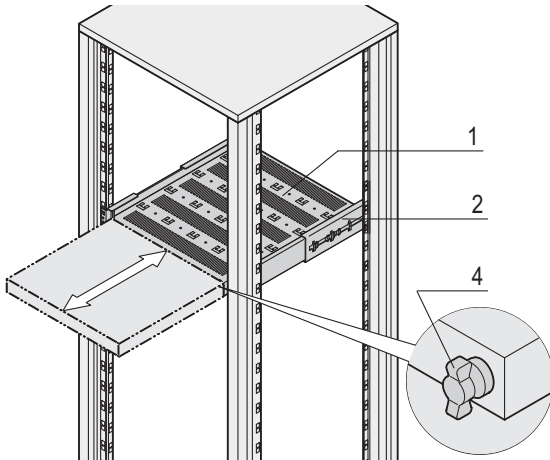
- Further dimensions available on ServicePLUS, see from page 1.299



00105050

Cabinets – Eurorack

19" TELESCOPIC SHELF, 70 KG

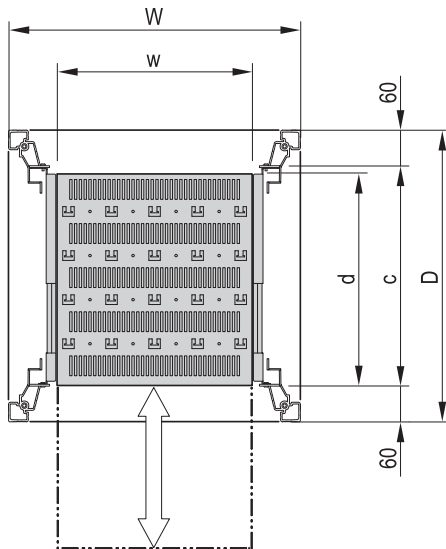


- Static load-carrying capacity at full extension 70 kg
- Mounting height 2 U, for mounting on four 19" panel/slide mounts
- Incl. telescopic slides
- Locking with T-bar lock possible
- Hammer head perforation to fix cable ties
- 2 versions
 - Full depth
 - Depth shortened by 100 mm for rear cable ducting

DELIVERY COMPRISES

| Item | Qty | Description |
|------|-----|--|
| 1 | 1 | Shelf with perforation, St, 1.5 mm, RAL 7021 |
| 2 | 2 | Telescopic slide, 2 U |
| 3 | 1 | Assembly kit |

Full depth



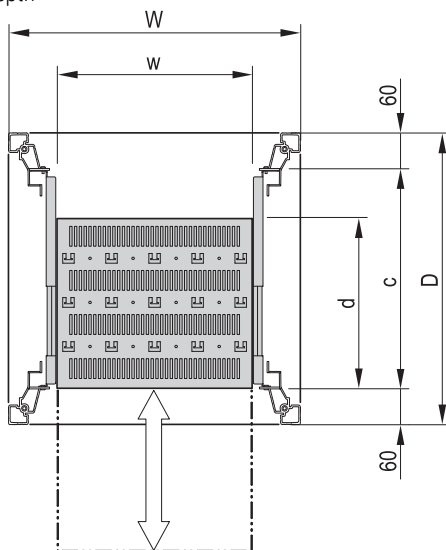
00105052

ORDER INFORMATION

Full depth

| Cabinet dimensions W x D mm | Usable surface w x d mm | c mm | Full depth Part no. |
|--|-------------------------------|---------|------------------------|
| 600 x 600 | 405 x 482 | 480 | 21130-353 |
| 600 x 800 | 405 x 682 | 680 | 21130-355 |
| Item 4 T-bar lock for 1 telescopic shelf (can be mounted right or left), 1 piece | | | 23130-092 |
| GND/earthing for telescopic shelf PU 1 kit, for NOVASTAR, eurorack | | | 21120-189 |

Shortened depth



00105069

ORDER INFORMATION

Shortened by 100 mm

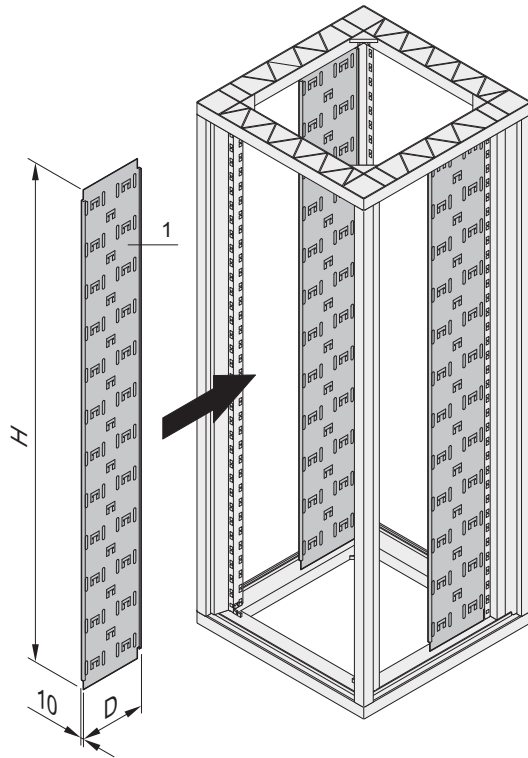
| Cabinet dimensions W x D mm | Usable surface w x d mm | c mm | Shortened by 100 mm Part no. |
|--|-------------------------------|---------|------------------------------------|
| 600 x 600 | 405 x 382 | 480 | 21130-352 |
| 600 x 800 | 405 x 582 | 680 | 21130-354 |
| Item 4 T-bar lock for 1 telescopic shelf (can be mounted right or left), 1 piece | | | 23130-092 |
| GND/earthing for telescopic shelf PU 1 kit, for NOVASTAR, eurorack | | | 21120-189 |

c = max. pitch of the slide mounts

00105070

Cabinets – Eurorack

CABLE PANELS



- For mounting direct onto the frame, can be recessed with depth members
- Fixing of cables with cable ties or Velcro
- Colour RAL 7021 (black grey) or RAL 7035 (light grey)
- Widths 150 mm and 250 mm

DELIVERY COMPRISES

| Item | Qty | Description |
|------|-----|-------------------------------------|
| 1 | 2 | Cable panel with cut-outs, St, 1 mm |
| 2 | 1 | Assembly kit |

ORDER INFORMATION

| For cabinet height H | D | RAL 7021 | RAL 7035 |
|----------------------|------|------------------|-----------|
| U | mm | Part no. | Part no. |
| 38 | 1798 | 23117-020 | 23117-026 |
| 43 | 1934 | 23117-021 | 23117-027 |
| 47 | 2020 | 23117-022 | 23117-028 |
| 38 | 1798 | 23117-023 | 23117-029 |
| 43 | 1934 | 23117-024 | 23117-030 |
| 47 | 2020 | 23117-025 | 23117-031 |

Depth member for 19" eurorack 600 mm cabinet depth, St, 1.5 mm, AlZn, PU 2 pieces **22117-376**

Depth member for 19" eurorack 800 mm cabinet depth, St, 1.5 mm, AlZn, PU 2 pieces **22117-377**

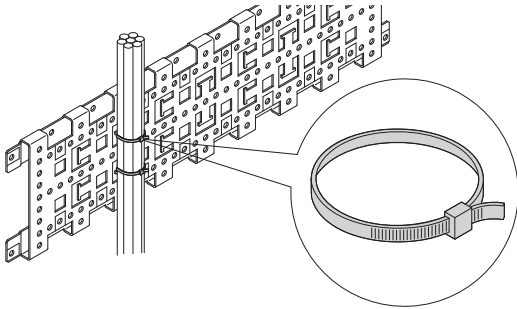
00108050

NOTE

- Cable ties, see page 1.288
- Velcro, see page 1.288

Cabinets – Eurorack

CABLE TIES



01005078

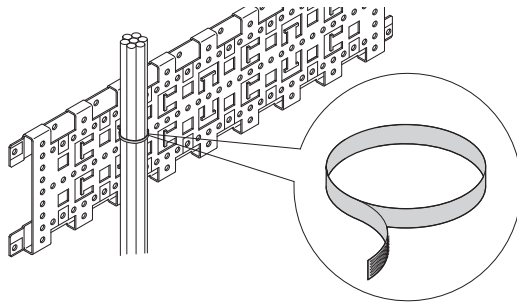
DELIVERY COMPRISES

| Item | Qty | Description |
|------|-----|--------------------|
| 1 | 25 | Cable tie, plastic |

ORDER INFORMATION

| Description | Part no. |
|-------------|---------------------------------|
| Cable tie | 92 mm x 2.5 mm 20118-351 |
| Cable tie | 186 mm x 5 mm 20118-352 |
| Cable tie | 360 mm x 5 mm 20118-353 |

VELCRO



01005079

- Length 300 mm (for cable bundles of max. 90 mm diameter)

DELIVERY COMPRISES

| Item | Qty | Description |
|------|-----|---|
| 1 | 10 | Velcro strip, PE/PA, black, length 300 mm |

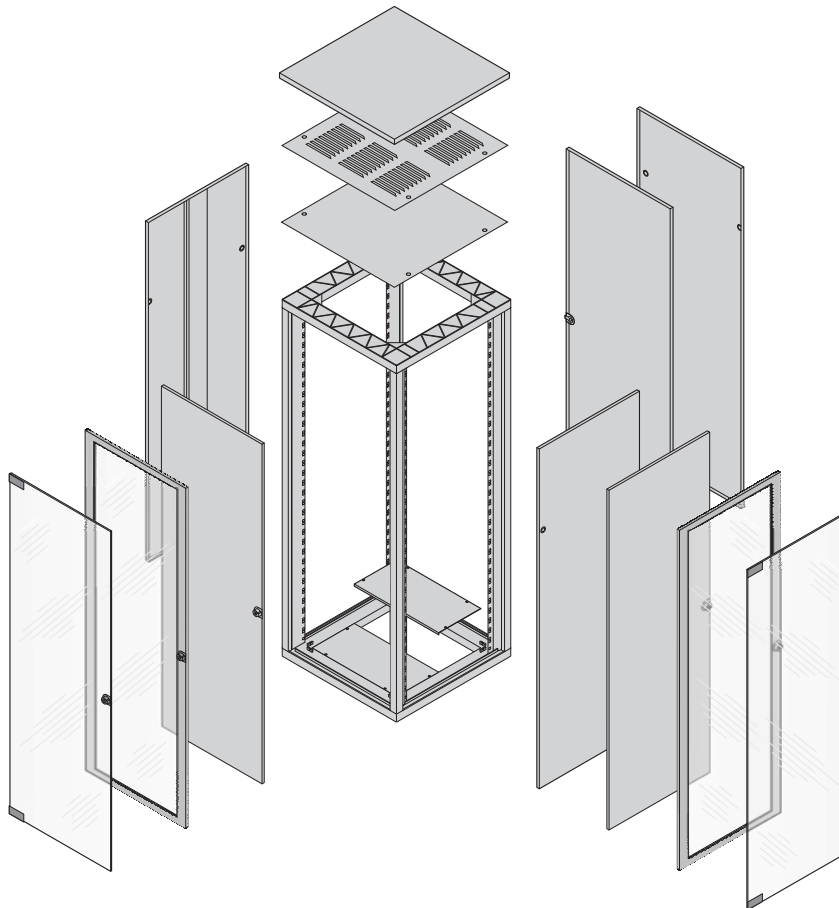
ORDER INFORMATION

| Description | Part no. |
|--------------|------------------|
| Velcro strip | 20118-624 |

Cabinets – Eurorack 19" ServicePLUS

EURORACK 19" SERVICEPLUS: CONFIGURATION AND ASSEMBLY

- Dimensions:
 - Height: 20 ... 47 U (998 ... 2198 mm)
 - Width: 600 mm
 - Depth: 600, 800 mm
- Colours:
 - Frame, top cover and plinth in black grey (RAL 7021);
 - Side panels and doors in light grey (RAL 7035) or black grey (RAL 7021)
- Build your cabinet out of individual components (please suffix each part number with /05)
- Once you have selected the desired cabinet dimensions, the row number (first column of the configuration tables) will guide you through all subsequent configuration pages that apply to these dimensions (see example below)
- The cabinet is assembled by us and ready for despatch within 10 working days



| | Page |
|---|-------|
| Frames, side-by-side mounting kit, GND/earthing, adjustable feet, castors | 1.290 |
| Side panels, glass doors | 1.291 |
| Doors | 1.292 |
| Door hinge bracket, cable ducting | 1.293 |
| Flush top covers | 1.294 |
| Raised top covers | 1.295 |
| Base plates, plinths | 1.296 |
| Third 19" plane, lateral cable ducting | 1.297 |
| 19" slide rails | 1.298 |
| 19" fixed or telescopic shelves | 1.299 |
| Dimensions 19" frame | 1.274 |
| ServicePLUS configuration eurorack Universal | 1.300 |

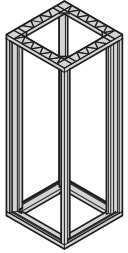
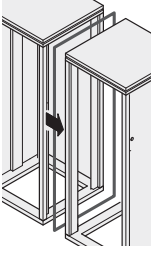
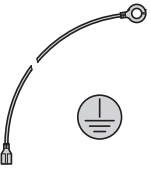
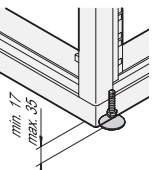
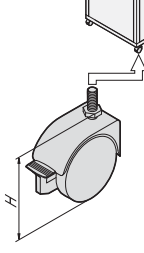
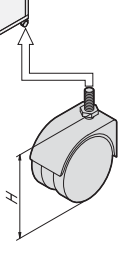
Example configuration (here: row 14)

| Qty | Description | Order no. |
|-----|--|--------------|
| 1 | 19" frame, RAL 7021, height 2020 mm, width 600 mm, depth 800 mm, 1 piece | 22117-779/05 |
| 1 | Adjustable foot, PU 4 pieces | 21101-201/05 |
| 1 | Side panel, screw fixed, RAL 7035, PU 2 pieces | 21117-172/05 |
| 1 | Front glass door, RAL 7035, opening angle 120°, 1 piece | 20117-751/05 |
| 1 | Rear steel door, RAL 7035, opening angle 120°, 1 piece | 21117-190/05 |
| 1 | DIN profile half cylinder, 1 piece | 60114-121/05 |
| .. | | |

Cabinets – Eurorack19" ServicePLUS

EURORACK 19" FRAMES, SIDE-BY-SIDE MOUNTING KIT, GND/EARTHING, ADJUSTABLE FEET, CASTORS

ORDER INFORMATION

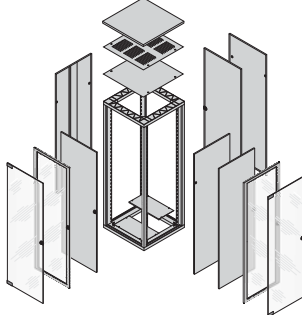
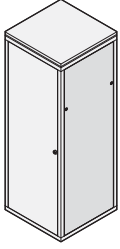
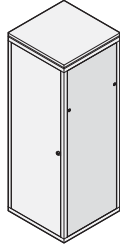
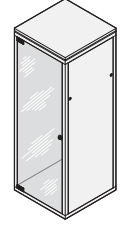
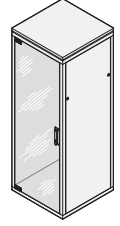
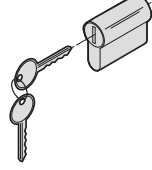
| | | | | | 19" frame 19" plane to front and rear | Side-by-side mounting kit | GND/earthing | Adjustable feet | Castors | |
|--------------------|----|-----------|----------|----------|--|---|---|--|--|--|
| | | | | |  era45341 19" frame, frame Al die-cast, uprights Al extrusion, RAL 7021, defined pitch between front and rear 19" plane |  ERTP0070 serves to bolt together two cabinets; sealing strips are PU foam |  aza43284 for frame, door, side panel, top cover, base plate |  era44553 St, PA, black, load-carrying capacity 100 kg per foot |  Load-carrying capacity 180 kg per kit |  Load-carrying capacity 300 kg per kit |
| Cabinet dimensions | | | | | | | | | | |
| No. | U | Height mm | Width mm | Depth mm | 1 piece assembled | 1 piece supplied loose | PU 1 kit assembled | PU 4 pieces assembled | PU 4 pieces enclosed loose | PU 4 pieces enclosed loose |
| 1 | 20 | 998 | 600 | 600 | 22117-977 | | | | | |
| 2 | 20 | 998 | 600 | 800 | 22117-978 | 20117-156 | 21101-539 | 21101-201 | 20117-757 | 20117-024 |
| 3 | 25 | 1220 | 600 | 600 | 22117-979 | | | | | |
| 4 | 25 | 1220 | 600 | 800 | 22117-980 | 20117-156 | 21101-539 | 21101-201 | 20117-757 | 20117-024 |
| 5 | 29 | 1398 | 600 | 600 | 22117-981 | | | | | |
| 6 | 29 | 1398 | 600 | 800 | 22117-982 | 20117-156 | 21101-539 | 21101-201 | 20117-757 | 20117-024 |
| 7 | 34 | 1620 | 600 | 600 | 22117-772 | | | | | |
| 8 | 34 | 1620 | 600 | 800 | 22117-773 | 20117-156 | 21101-539 | 21101-201 | 20117-757 | 20117-024 |
| 9 | 34 | 1620 | 600 | 900 | 22117-774 | | | | | |
| 10 | 38 | 1798 | 600 | 600 | 22117-775 | | | | | |
| 11 | 38 | 1798 | 600 | 800 | 22117-776 | 20117-156 | 21101-539 | 21101-201 | 20117-757 | 20117-024 |
| 12 | 38 | 1798 | 600 | 900 | 22117-777 | | | | | |
| 13 | 43 | 2020 | 600 | 600 | 22117-778 | | | | | |
| 14 | 43 | 2020 | 600 | 800 | 22117-779 | 20117-156 | 21101-539 | 21101-201 | 20117-757 | 20117-024 |
| 15 | 43 | 2020 | 600 | 900 | 22117-780 | | | | | |
| 16 | 47 | 2198 | 600 | 600 | 22117-983 | | | | | |
| 17 | 47 | 2198 | 600 | 800 | 22117-781 | 20117-156 | 21101-539 | 21101-201 | 20117-757 | 20117-024 |
| 18 | 47 | 2198 | 600 | 900 | 22117-984 | | | | | |

Frame dimensions, see page 1.274

Cabinets – Eurorack19" ServicePLUS

EURORACK 19" SIDE PANELS, GLASS DOORS

ORDER INFORMATION

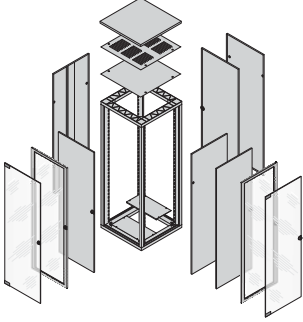
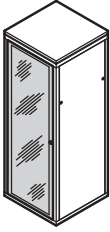
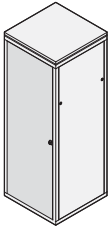
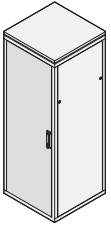
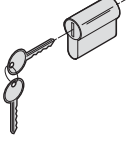
| | | | | | Side panel with side-panel catches | Side panel with safety lock | Glass door Opening angle 120° | Glass door Opening angle 180° | DIN profile half cylinder | | |
|---|--------------------|-----------|----------|----------|--|--|--|--|--|--|--|
|  | | | | |  <small>ERA44517</small> |  <small>ERA44517</small> |  <small>mra45967</small> |  <small>00101506</small> |  <small>SZA44484</small> | | |
| | | | | | St, 1 mm, RAL 7035, 2 side panel catches; instead of a side panel, doors can also be mounted laterally | St, 1 mm, RAL 7021, 2 side panel catches; instead of a side panel, doors can also be mounted laterally | St, 1 mm, RAL 7035, 2 safety locks; instead of a side panel, doors can also be mounted laterally | St, 1 mm, RAL 7021, 2 safety locks; instead of a side panel, doors can also be mounted laterally | glazing smoke grey, Sekurit, 6 mm, safety lock with 2 keys | glazing smoke grey, Sekurit, 6 mm, lever handle (incl. blank insert) | DIN profile half cylinder for lever handle |
| No. | Cabinet dimensions | | | | RAL 7035 | RAL 7021 | RAL 7035 | RAL 7021 | 1 piece assembled | 1 piece assembled | 1 piece assembled |
| | U | Height mm | Width mm | Depth mm | PU 2 pieces assembled | PU 2 pieces assembled | PU 2 pieces assembled | PU 2 pieces assembled | | | |
| 1 | 20 | 998 | 600 | 600 | 21117-158 | 22117-993 | - | - | 20117-745 | - | - |
| 2 | 20 | 998 | 600 | 800 | 21117-167 | 22117-994 | - | - | 20117-745 | - | - |
| 3 | 25 | 1220 | 600 | 600 | 21117-159 | 22117-995 | - | - | 20117-746 | - | - |
| 4 | 25 | 1220 | 600 | 800 | 21117-168 | 22117-996 | - | - | 20117-746 | - | - |
| 5 | 29 | 1398 | 600 | 600 | 21117-160 | 22117-997 | 22117-185 | 23117-002 | 20117-747 | 22117-239 | 60114-121 |
| 6 | 29 | 1398 | 600 | 800 | 21117-169 | 22117-998 | 22117-186 | 23117-003 | 20117-747 | 22117-239 | 60114-121 |
| 7 | 34 | 1620 | 600 | 600 | 21117-161 | 22117-958 | 22117-173 | 23117-004 | 20117-747 | 22117-239 | 60114-121 |
| 8 | 34 | 1620 | 600 | 800 | 21117-170 | 22117-959 | 22117-177 | 23117-005 | 20117-748 | 22117-227 | 60114-121 |
| 9 | 34 | 1620 | 600 | 900 | 21117-179 | 22117-960 | 22117-181 | 23117-006 | 20117-748 | 22117-227 | 60114-121 |
| 10 | 38 | 1798 | 600 | 600 | 21117-162 | 22117-961 | 22117-174 | 23117-007 | 20117-747 | 22117-239 | 60114-121 |
| 11 | 38 | 1798 | 600 | 800 | 21117-171 | 22117-962 | 22117-178 | 23117-008 | 20117-749 | 22117-228 | 60114-121 |
| 12 | 38 | 1798 | 600 | 900 | 21117-180 | 22117-963 | 22117-182 | 23117-009 | 20117-749 | 22117-228 | 60114-121 |
| 13 | 43 | 2020 | 600 | 600 | 21117-163 | 22117-964 | 22117-175 | 22117-968 | 20117-751 | 22117-229 | 60114-121 |
| 14 | 43 | 2020 | 600 | 800 | 21117-172 | 22117-965 | 22117-179 | 22117-969 | 20117-751 | 22117-229 | 60114-121 |
| 15 | 43 | 2020 | 600 | 900 | 21117-181 | 22117-966 | 22117-592 | 22117-970 | 20117-751 | 22117-229 | 60114-121 |
| 16 | 47 | 2198 | 600 | 600 | 21117-164 | 22117-999 | 22117-176 | 23117-010 | 20117-752 | 22117-230 | 60114-121 |
| 17 | 47 | 2198 | 600 | 800 | 21117-173 | 22117-967 | 22117-180 | 22117-971 | 20117-752 | 22117-230 | 60114-121 |
| 18 | 47 | 2198 | 600 | 900 | 21117-182 | 23117-001 | 22117-593 | 22117-972 | 20117-752 | 22117-230 | 60114-121 |

Note: Doors can also be assembled laterally, in place of side panels

Cabinets – Eurorack19" ServicePLUS

EURORACK 19" DOORS

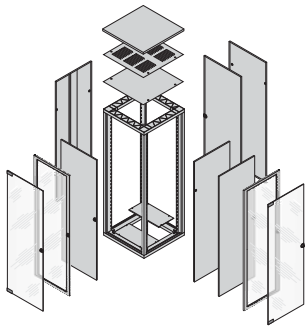
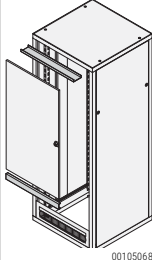
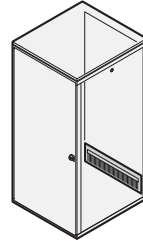
ORDER INFORMATION

| | | | | | Glazed acrylic glass door Opening angle 120° | | Steel door Opening angle 120° | | Steel door Opening angle 180° | | DIN profile half cylinder |
|--|--------------------|------|-----|-----|--|---|---|---|--|--|---|
|  | | | | |  | |  | |  | |  |
| | | | | | <small>a4491b</small> frame, Al, 2 mm, RAL 7021; acrylic glass, 2 mm, safety lock with 2 keys | frame, Al, 2 mm, RAL 7021; acrylic glass, 2 mm, safety lock with 2 keys | St, 1 mm, RAL 7035, safety lock with 2 keys | St, 1 mm, RAL 7035, safety lock with 2 keys | <small>00101506</small> St, 1 mm, RAL 7035, lever handle (incl. blank insert), please order DIN profile half cylinder separately | <small>00101504</small> St, 1 mm, RAL 7021, lever handle (incl. blank insert), please order DIN profile half cylinder separately | <small>SZ44484</small> DIN profile half cylinder for lever handle |
| No. | Cabinet dimensions | | | | RAL 7035 | RAL 7021 | RAL 7035 | RAL 7021 | RAL 7035 | RAL 7021 | |
| | U | mm | mm | mm | 1 piece assembled | 1 piece assembled | 1 piece assembled | 1 piece assembled | 1 piece assembled | 1 piece assembled | 1 piece assembled |
| 1 | 20 | 998 | 600 | 600 | 20117-770 | 22117-944 | 21117-185 | 22117-935 | - | - | - |
| 2 | 20 | 998 | 600 | 800 | | | | | | | |
| 3 | 25 | 1220 | 600 | 600 | 20117-771 | 22117-945 | 21117-186 | 22117-936 | - | - | - |
| 4 | 25 | 1220 | 600 | 800 | | | | | | | |
| 5 | 29 | 1398 | 600 | 600 | 20117-772 | 23117-011 | 21117-187 | 23117-012 | 22117-201 | 23117-013 | 60114-121 |
| 6 | 29 | 1398 | 600 | 800 | | | | | | | |
| 7 | 34 | 1620 | 600 | 600 | | | | | | | |
| 8 | 34 | 1620 | 600 | 800 | 20117-765 | 22117-946 | 21117-188 | 22117-937 | 22117-189 | 23117-014 | 60114-121 |
| 9 | 34 | 1620 | 600 | 900 | | | | | | | |
| 10 | 38 | 1798 | 600 | 600 | | | | | | | |
| 11 | 38 | 1798 | 600 | 800 | 20117-766 | 22117-947 | 21117-189 | 22117-938 | 22117-190 | 23117-015 | 60114-121 |
| 12 | 38 | 1798 | 600 | 900 | | | | | | | |
| 13 | 43 | 2020 | 600 | 600 | | | | | | | |
| 14 | 43 | 2020 | 600 | 800 | 20117-767 | 22117-949 | 21117-190 | 22117-940 | 22117-191 | 22117-973 | 60114-121 |
| 15 | 43 | 2020 | 600 | 900 | | | | | | | |
| 16 | 47 | 2198 | 600 | 600 | | | | | | | |
| 17 | 47 | 2198 | 600 | 800 | 20117-768 | 22117-951 | 21117-191 | 22117-942 | 22117-192 | 22117-975 | 60114-121 |
| 18 | 47 | 2198 | 600 | 900 | | | | | | | |

Cabinets – Eurorack19" ServicePLUS

EURORACK 19" DOOR HINGE BRACKET, CABLE DUCTING

ORDER INFORMATION

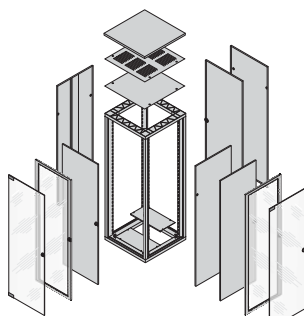
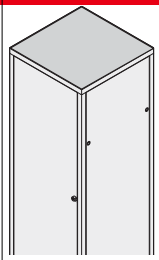
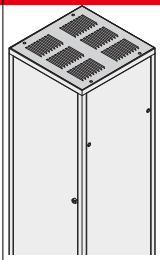
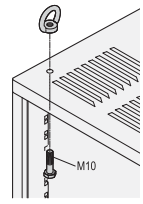
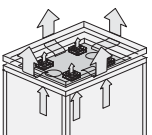
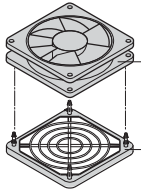
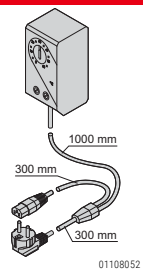
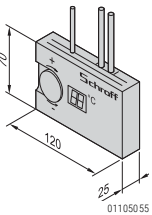
| | | | | | Door hinge bracket for 19" frame | Cable ducting frame | |
|---|----------|----------|----------|-----|---|--|-------------------|
| | | | | | | 3 U | 4 U |
|  | | | | |  <p>00105068</p> <p>St, 1.5 mm, RAL 7021, mounting to front or rear, above or below the short door, 1 U assembly area, please order 19" cable ducting separately</p> |  <p>07011081</p> <p>St, 2.5 mm, RAL 7021, with black brush strip for short doors or rear panels</p> | |
| Cabinet dimensions | | | | | 1 piece assembled | 1 piece assembled | 1 piece assembled |
| No. | Height U | Width mm | Depth mm | | | | |
| 1 | 20 | 998 | 600 | 600 | 22117-798 | 20118-796 | 20118-797 |
| 2 | 20 | 998 | 600 | 800 | | | |
| 3 | 25 | 1220 | 600 | 600 | 22117-798 | 20118-796 | 20118-797 |
| 4 | 25 | 1220 | 600 | 800 | | | |
| 5 | 29 | 1398 | 600 | 600 | 22117-798 | 20118-796 | 20118-797 |
| 6 | 29 | 1398 | 600 | 800 | | | |
| 7 | 34 | 1620 | 600 | 600 | | | |
| 8 | 34 | 1620 | 600 | 800 | 22117-798 | 20118-796 | 20118-797 |
| 9 | 34 | 1620 | 600 | 900 | | | |
| 10 | 38 | 1798 | 600 | 600 | | | |
| 11 | 38 | 1798 | 600 | 800 | 22117-798 | 20118-796 | 20118-797 |
| 12 | 38 | 1798 | 600 | 900 | | | |
| 13 | 43 | 2020 | 600 | 600 | | | |
| 14 | 43 | 2020 | 600 | 800 | 22117-798 | 20118-796 | 20118-797 |
| 15 | 43 | 2020 | 600 | 900 | | | |
| 16 | 47 | 2198 | 600 | 600 | | | |
| 17 | 47 | 2198 | 600 | 800 | 22117-798 | 20118-796 | 20118-797 |
| 18 | 47 | 2198 | 600 | 900 | | | |

Cabinets – Eurorack19" ServicePLUS

EURORACK 19"

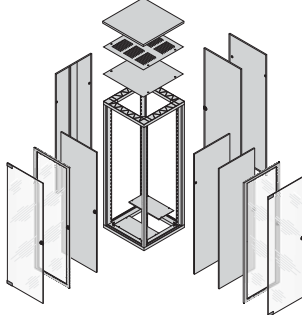
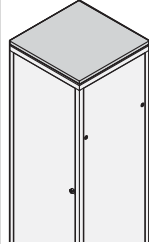
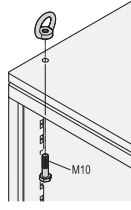
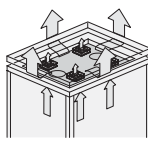
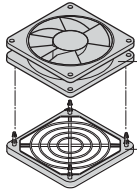
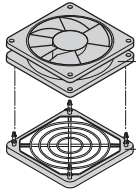
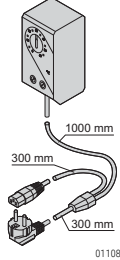
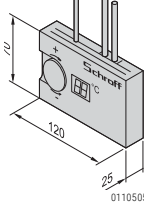
FLUSH TOP COVERS

ORDER INFORMATION

| | | | | | Flush top cover | | | Top cover fan for flush lowered top cover | | | |
|--|--------------------|----------|----------|-----|--|--|---|--|--|--|--|
| | | | | | Plain | Louvered | Lifting eyes | Fan trays without fans | Fan for fan tray | Thermostat | Speed control |
|  | | | | |  <small>ERA44525</small> St, 1 mm, RAL 7021 |  <small>ERA45344</small> St, 1 mm, RAL 7021 |  <small>ERA44560</small> lifting eye for flush cover, application and static load-carrying capacity in accordance with DIN 582 |  <small>ertp0055</small> St, 1.5 mm, RAL 7021, all 6 openings closed with PE blank plugs, terminal clamp with connecting cable, 2 m, IEC-60320 C14 plug |  <small>KT444844</small> axial fan 230 V _{AC} , 8 W, 90 m ³ /h, height 25 mm, protective grille, plastic, black, flammability UL 94 V-0 |  <small>01108052</small> for air barrier, with mains cable 230 V _{AC} (SCHUKO/UTE plug/ IEC 60320 C13 socket), adjustment range 0 ... 60°C |  <small>01105055</small> fully wired, 90 ... 264 V _{AC} , input SCHUKO/UTE plug, outlet IEC 60320 C1 3 socket; external NTC sensor 1.5 m |
| No. | Cabinet dimensions | | | | 1 piece assembled | 1 piece assembled | PU 4 pieces assembled | 1 piece assembled | 1 piece assembled | 1 piece assembled | 1 piece assembled |
| | Height U | Width mm | Depth mm | mm | | | | | | | |
| 1 | 20 | 998 | 600 | 600 | 22117-801 | 22117-806 | 20117-080 | 22117-821 | 20713-048 | 24630-119 | 60715-005 |
| 2 | 20 | 998 | 600 | 800 | 22117-802 | 22117-807 | | 22117-822 | | | |
| 3 | 25 | 1220 | 600 | 600 | 22117-801 | 22117-806 | 20117-080 | 22117-821 | 20713-048 | 24630-119 | 60715-005 |
| 4 | 25 | 1220 | 600 | 800 | 22117-802 | 22117-807 | | 22117-822 | | | |
| 5 | 29 | 1398 | 600 | 600 | 22117-801 | 22117-806 | 20117-080 | 22117-821 | 20713-048 | 24630-119 | 60715-005 |
| 6 | 29 | 1398 | 600 | 800 | 22117-802 | 22117-807 | | 22117-822 | | | |
| 7 | 34 | 1620 | 600 | 600 | 22117-801 | 22117-806 | 20117-080 | 22117-821 | 20713-048 | 24630-119 | 60715-005 |
| 8 | 34 | 1620 | 600 | 800 | 22117-802 | 22117-807 | | 22117-822 | | | |
| 9 | 34 | 1620 | 600 | 900 | 22117-803 | 22117-808 | | 22117-823 | | | |
| 10 | 38 | 1798 | 600 | 600 | 22117-801 | 22117-806 | 20117-080 | 22117-821 | 20713-048 | 24630-119 | 60715-005 |
| 11 | 38 | 1798 | 600 | 800 | 22117-802 | 22117-807 | | 22117-822 | | | |
| 12 | 38 | 1798 | 600 | 900 | 22117-803 | 22117-808 | | 22117-823 | | | |
| 13 | 43 | 2020 | 600 | 600 | 22117-801 | 22117-806 | 20117-080 | 22117-821 | 20713-048 | 24630-119 | 60715-005 |
| 14 | 43 | 2020 | 600 | 800 | 22117-802 | 22117-807 | | 22117-822 | | | |
| 15 | 43 | 2020 | 600 | 900 | 22117-803 | 22117-808 | | 22117-823 | | | |
| 16 | 47 | 2198 | 600 | 600 | 22117-801 | 22117-806 | 20117-080 | 22117-821 | 20713-048 | 24630-119 | 60715-005 |
| 17 | 47 | 2198 | 600 | 800 | 22117-802 | 22117-807 | | 22117-822 | | | |
| 18 | 47 | 2198 | 600 | 900 | 22117-803 | 22117-808 | | 22117-823 | | | |

Cabinets – Eurorack19" ServicePLUS

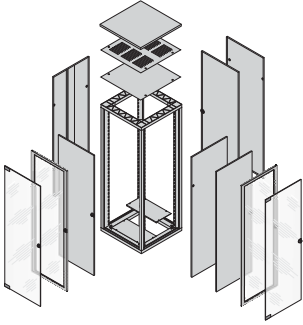
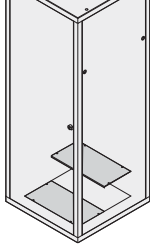
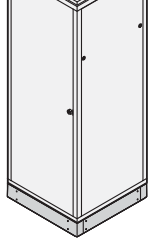
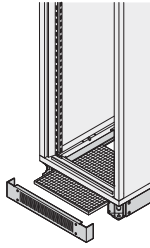
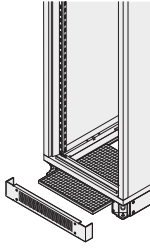
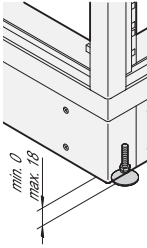
EURORACK 19"
RAISED TOP COVERS
ORDER INFORMATION

| | | | | | Raised top cover | | Fan for raised top cover | | | | Thermostat | Speed control |
|---|--------------------|-----------|----------|----------|---|--|--|---|---|---|---|---------------|
| | | | | | Raised | Lifting eyes | Fan tray without fan | Fan for fan tray | | | | |
|  | | | | |  ERA44526 |  ERA44560 |  ertp0055 |  KTA44844 |  KTA44844 |  01108052 |  01105055 | |
| | | | | | St, 1.5 mm, RAL 7021, air gap all round 8 mm, IP 20 | lifting eye for raised top cover, application and static load-carrying capacity in accordance with DIN 582 | St, 1.5 mm, RAL 7021, all 6 openings closed with PE blank plugs, terminal clamp with connecting cable, 2 m, IEC-60320 C14 plug | axial fan 230 V _{AC} , 15 W, 162 m ³ /h, height 38 mm, plastic, black, flammability UL 94 V-0 | axial fan 230 V _{AC} , 8 W, 90 m ³ /h, height 25 mm, plastic, black, flammability UL 94 V-0 | for air barrier, with mains cable 230 V _{AC} (SCHUKO/UTE plug/IEC 60320 C13 socket), adjustment range 0 ... 60°C | fully wired, 90 ... 264 V _{AC} , input SCHUKO/UTE plug, outlet IEC 60320 C13 socket; external NTC sensor 1.5 m | |
| No. | Cabinet dimensions | | | | 1 piece assembled | PU 4 pieces assembled | 1 piece assembled | 1 piece assembled | 1 piece assembled | 1 piece assembled | 1 piece assembled | |
| | U | Height mm | Width mm | Depth mm | | | | | | | | |
| 1 | 20 | 998 | 600 | 600 | 22117-811 | 20150-011 | 22117-821 | 20713-243 | 20713-048 | 24630-119 | 60715-005 | |
| 2 | 20 | 998 | 600 | 800 | 22117-812 | | 22117-822 | | | | | |
| 3 | 25 | 1220 | 600 | 600 | 22117-811 | 20150-011 | 22117-821 | 20713-243 | 20713-048 | 24630-119 | 60715-005 | |
| 4 | 25 | 1220 | 600 | 800 | 22117-812 | | 22117-822 | | | | | |
| 5 | 29 | 1398 | 600 | 600 | 22117-811 | 20150-011 | 22117-821 | 20713-243 | 20713-048 | 24630-119 | 60715-005 | |
| 6 | 29 | 1398 | 600 | 800 | 22117-812 | | 22117-822 | | | | | |
| 7 | 34 | 1620 | 600 | 600 | 22117-811 | 20150-011 | 22117-821 | 20713-243 | 20713-048 | 24630-119 | 60715-005 | |
| 8 | 34 | 1620 | 600 | 800 | 22117-812 | | 22117-822 | | | | | |
| 9 | 34 | 1620 | 600 | 900 | 22117-813 | | 22117-823 | | | | | |
| 10 | 38 | 1798 | 600 | 600 | 22117-811 | 20150-011 | 22117-821 | 20713-243 | 20713-048 | 24630-119 | 60715-005 | |
| 11 | 38 | 1798 | 600 | 800 | 22117-812 | | 22117-822 | | | | | |
| 12 | 38 | 1798 | 600 | 900 | 22117-813 | | 22117-823 | | | | | |
| 13 | 43 | 2020 | 600 | 600 | 22117-811 | 20150-011 | 22117-821 | 20713-243 | 20713-048 | 24630-119 | 60715-005 | |
| 14 | 43 | 2020 | 600 | 800 | 22117-812 | | 22117-822 | | | | | |
| 15 | 43 | 2020 | 600 | 900 | 22117-813 | | 22117-823 | | | | | |
| 16 | 47 | 2198 | 600 | 600 | 22117-811 | 20150-011 | 22117-821 | 20713-243 | 20713-048 | 24630-119 | 60715-005 | |
| 17 | 47 | 2198 | 600 | 800 | 22117-812 | | 22117-822 | | | | | |
| 18 | 47 | 2198 | 600 | 900 | 22117-813 | | 22117-823 | | | | | |

Cabinets – Eurorack19" ServicePLUS

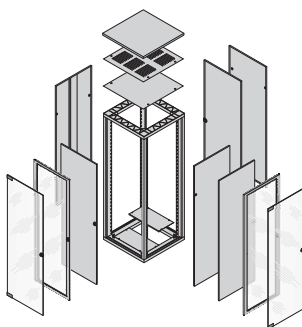
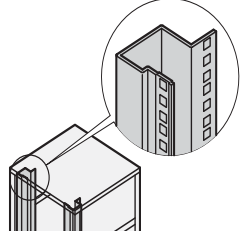
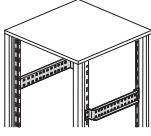
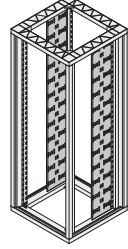
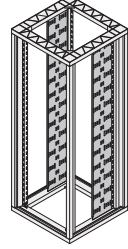
EURORACK 19" BASE PLATES, PLINTHS

ORDER INFORMATION

| | | | | | Base plate | Fixed base/plinth, height 100 mm | | | |
|--|--------------------|-------------|-------------|-------------|---|--|---|---|--|
| | | | | | | Plain | With ventilation | Filter mat | Adjustable feet |
|  | | | | |  <p>00108051</p> <p>St, 1.5 mm, RAL 7021, two parts, mounting on frame</p> |  <p>ERA44532</p> <p>base, Al die-cast, covers, St, 2.5 mm, RAL 7021</p> |  <p>ERTP0057</p> <p>base/plinth, Al die-cast, covers, St, 2.5 mm, RAL 7021, front and rear with ventilation openings; please order filter mat separately</p> |  <p>ERTP0057</p> <p>filter mat for fixed base/plinth, with ventilation</p> |  <p>era44553</p> <p>St, PA, black, load-carrying capacity 100 kg per foot</p> |
| No. | Cabinet dimensions | | | | PU 2 pieces enclosed loose | 1 piece assembled | 1 piece assembled | PU 3 pieces enclosed loose | PU 4 pieces assembled |
| | Height U | Width mm | Depth mm | Depth mm | | | | | |
| 1 | 20 | 998 | 600 | 600 | 22117-826 | 22117-830 | 22117-864 | 60114-514 | 21101-201 |
| 2 | 20 | 998 | 600 | 800 | 22117-827 | 22117-831 | 22117-865 | 60114-515 | |
| 3 | 25 | 1220 | 600 | 600 | 22117-826 | 22117-830 | 22117-864 | 60114-514 | 21101-201 |
| 4 | 25 | 1220 | 600 | 800 | 22117-827 | 22117-831 | 22117-865 | 60114-515 | |
| 5 | 29 | 1398 | 600 | 600 | 22117-826 | 22117-830 | 22117-864 | 60114-514 | 21101-201 |
| 6 | 29 | 1398 | 600 | 800 | 22117-827 | 22117-831 | 22117-865 | 60114-515 | |
| 7 | 34 | 1620 | 600 | 600 | 22117-826 | 22117-830 | 22117-864 | 60114-514 | 21101-201 |
| 8 | 34 | 1620 | 600 | 800 | 22117-827 | 22117-831 | 22117-865 | 60114-515 | |
| 9 | 34 | 1620 | 600 | 900 | 22117-828 | 22117-832 | 22117-866 | - | |
| 10 | 38 | 1798 | 600 | 600 | 22117-826 | 22117-830 | 22117-864 | 60114-514 | 21101-201 |
| 11 | 38 | 1798 | 600 | 800 | 22117-827 | 22117-831 | 22117-865 | 60114-515 | |
| 12 | 38 | 1798 | 600 | 900 | 22117-828 | 22117-832 | 22117-866 | - | |
| 13 | 43 | 2020 | 600 | 600 | 22117-826 | 22117-830 | 22117-864 | 60114-514 | 21101-201 |
| 14 | 43 | 2020 | 600 | 800 | 22117-827 | 22117-831 | 22117-865 | 60114-515 | |
| 15 | 43 | 2020 | 600 | 900 | 22117-828 | 22117-832 | 22117-866 | - | |
| 16 | 47 | 2198 | 600 | 600 | 22117-826 | 22117-830 | 22117-864 | 60114-514 | 21101-201 |
| 17 | 47 | 2198 | 600 | 800 | 22117-827 | 22117-831 | 22117-865 | 60114-515 | |
| 18 | 47 | 2198 | 600 | 900 | 22117-828 | 22117-832 | 22117-866 | - | |

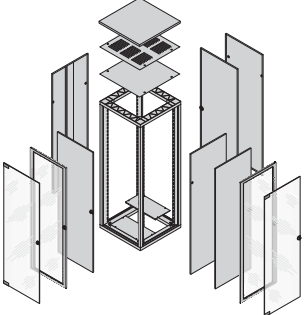
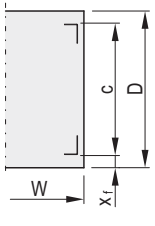
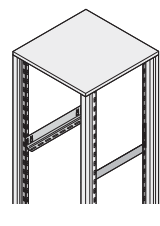
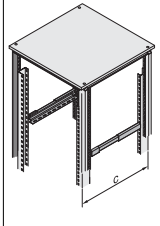
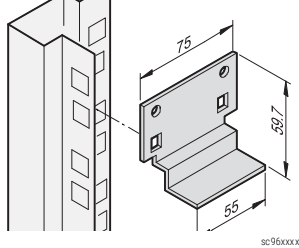
Cabinets – Eurorack19" ServicePLUS

EURORACK 19"
THIRD 19" PLANE, LATERAL CABLE DUCTING
ORDER INFORMATION

| | | | | | 19" panel/slide mount | | Depth member | Lateral cable ducting | | | |
|---|--------------------|------|-----|-----|---|-----------------------|---|---|--|---|--|
| | | | | | RAL 7021 | AlZn | For 19" eurorack | Cable panel Width 150 mm | | Cable panel Width 250 mm | |
|  | | | | |  | |  |  | |  | |
| | | | | | St, 1.5 mm, with 19" cut-outs; to mount a third 19" plane, 1 pair of 19" panel/slide mounts and 2 pairs of depth members are required | | St, 1.5 mm, AlZn, for assembly of the third 19" plane or other components | St, 1 mm, RAL 7035, with cut-outs for cable ties or Velcro | St, 1 mm, RAL 7021, with cut-outs for cable ties or Velcro | St, 1 mm, RAL 7035, with cut-outs for cable ties or Velcro | St, 1 mm, RAL 7021, with cut-outs for cable ties or Velcro |
| No. | Cabinet dimensions | | | | RAL 7021 | AlZn | AlZn | RAL 7035 | RAL 7021 | RAL 7035 | RAL 7021 |
| | U | mm | mm | mm | PU 2 pieces assembled | PU 2 pieces assembled | PU 2 pieces assembled | PU 2 pieces assembled | PU 2 pieces assembled | PU 2 pieces assembled | PU 2 pieces assembled |
| 1 | 20 | 998 | 600 | 600 | 23117-017 | 22117-352 | 22117-376 | - | - | - | - |
| 2 | 20 | 998 | 600 | 800 | | | 22117-377 | | | | |
| 3 | 25 | 1220 | 600 | 600 | 23117-018 | 22117-353 | 22117-376 | - | - | - | - |
| 4 | 25 | 1220 | 600 | 800 | | | 22117-377 | | | | |
| 5 | 29 | 1398 | 600 | 600 | 23117-019 | 22117-354 | 22117-376 | - | - | - | - |
| 6 | 29 | 1398 | 600 | 800 | | | 22117-377 | | | | |
| 7 | 34 | 1620 | 600 | 600 | | | 22117-376 | | | | |
| 8 | 34 | 1620 | 600 | 800 | 22117-835 | 22117-355 | 22117-377 | - | - | - | - |
| 9 | 34 | 1620 | 600 | 900 | | | 22117-378 | | | | |
| 10 | 38 | 1798 | 600 | 600 | | | 22117-376 | | | | |
| 11 | 38 | 1798 | 600 | 800 | 22117-836 | 22117-356 | 22117-377 | 23117-026 | 23117-020 | 23117-029 | 23117-023 |
| 12 | 38 | 1798 | 600 | 900 | | | 22117-378 | | | | |
| 13 | 43 | 2020 | 600 | 600 | | | 22117-376 | | | | |
| 14 | 43 | 2020 | 600 | 800 | 22117-837 | 22117-357 | 22117-377 | 23117-027 | 23117-021 | 23117-030 | 23117-024 |
| 15 | 43 | 2020 | 600 | 900 | | | 22117-378 | | | | |
| 16 | 47 | 2198 | 600 | 600 | | | 22117-376 | | | | |
| 17 | 47 | 2198 | 600 | 800 | 22117-838 | 22117-358 | 22117-377 | 23117-028 | 23117-022 | 23117-031 | 23117-025 |
| 18 | 47 | 2198 | 600 | 900 | | | 22117-378 | | | | |

Cabinets – Eurorack19" ServicePLUS

EURORACK 19"
19" SLIDE RAILS
ORDER INFORMATION

| | | | | | Dimensions standard assembly | | Slide rail 25 kg | | 40 kg, depth-adjustable | | Short slide rail | |
|--|--------|------|-------|-------|--|-----|--|------------------|---|------------------|--|----|
|  | | | | |  <p>00205066</p> <p>X_f = distance from front c = pitch of 19" plane D = cabinet depth W = cabinet width</p> | |  <p>00108056</p> <p>St, 1.5 mm, finish AlZn, static load-carrying capacity 25 kg/pair</p> | |  <p>41003081</p> <p>St, 1.5 mm, finish AlZn, static load-carrying capacity 40 kg/pair, depth-adjustable (c: 675 - 850 mm)</p> | |  <p>se96xxxx</p> <p>St, 1.5 mm, finish AlZn, static load-carrying capacity 15 kg/pair</p> | |
| Cabinet dimensions | | | | | | | PU 2 pieces | | PU 2 pieces | | PU 10 pieces | |
| No. | Height | | Width | Depth | X_f | c | enclosed loose | | enclosed loose | | enclosed loose | |
| | U | mm | | | | | mm | mm | mm | mm | mm | mm |
| 1 | 20 | 998 | 600 | 600 | 60 | 480 | 22127-094 | 21127-197 | - | 20118-592 | 20118-593 | |
| 2 | 20 | 998 | 600 | 800 | 60 | 680 | 22127-095 | 21127-199 | 28127-001 | 20118-592 | 20118-593 | |
| 3 | 25 | 1220 | 600 | 600 | 60 | 480 | 22127-094 | 21127-197 | - | 20118-592 | 20118-593 | |
| 4 | 25 | 1220 | 600 | 800 | 60 | 680 | 22127-095 | 21127-199 | 28127-001 | 20118-592 | 20118-593 | |
| 5 | 29 | 1398 | 600 | 600 | 60 | 480 | 22127-094 | 21127-197 | - | 20118-592 | 20118-593 | |
| 6 | 29 | 1398 | 600 | 800 | 60 | 680 | 22127-095 | 21127-199 | 28127-001 | 20118-592 | 20118-593 | |
| 7 | 34 | 1620 | 600 | 600 | 60 | 480 | 22127-094 | 21127-197 | - | 20118-592 | 20118-593 | |
| 8 | 34 | 1620 | 600 | 800 | 60 | 680 | 22127-095 | 21127-198 | 28127-001 | 20118-592 | 20118-593 | |
| 9 | 34 | 1620 | 600 | 900 | 60 | 780 | 22127-096 | 21127-199 | 28127-001 | | | |
| 10 | 38 | 1798 | 600 | 600 | 60 | 480 | 22127-094 | 21127-197 | - | 20118-592 | 20118-593 | |
| 11 | 38 | 1798 | 600 | 800 | 60 | 680 | 22127-095 | 21127-198 | 28127-001 | 20118-592 | 20118-593 | |
| 12 | 38 | 1798 | 600 | 900 | 60 | 780 | 22127-096 | 21127-199 | 28127-001 | | | |
| 13 | 43 | 2020 | 600 | 600 | 60 | 480 | 22127-094 | 21127-197 | - | 20118-592 | 20118-593 | |
| 14 | 43 | 2020 | 600 | 800 | 60 | 680 | 22127-095 | 21127-198 | 28127-001 | 20118-592 | 20118-593 | |
| 15 | 43 | 2020 | 600 | 900 | 60 | 780 | 22127-096 | 21127-199 | 28127-001 | | | |
| 16 | 47 | 2198 | 600 | 600 | 60 | 480 | 22127-094 | 21127-197 | - | 20118-592 | 20118-593 | |
| 17 | 47 | 2198 | 600 | 800 | 60 | 680 | 22127-095 | 21127-198 | 28127-001 | 20118-592 | 20118-593 | |
| 18 | 47 | 2198 | 600 | 900 | 60 | 780 | 22127-096 | 21127-199 | 28127-001 | | | |

Cabinets – Eurorack19" ServicePLUS

EURORACK 19"
19" FIXED OR TELESCOPIC SHELVES
ORDER INFORMATION

| | | | | Dimensions standard assembly | | Fixed shelf, 1 U, 75 kg | | Shelf, telescopic, 2 U, 70 kg | | T-bar lock | GND/earthing | | |
|-----|--------------------|-----------|----------|--|------------------------|-------------------------|---------------------|-------------------------------|-------------------|---------------------------------|------------------|---------------------------------|--|
| | | | | Full depth | Recessed by c - 100 mm | Full depth | Shortened by 100 mm | | | | | | |
| | | | | <p>00205066</p> <p>x_f = distance from front c = pitch of 19" plane D = cabinet depth W = cabinet width</p> | | <p>00105050</p> | | <p>00105051</p> | | <p>00105069</p> <p>00105070</p> | | <p>01004125</p> <p>05904052</p> | |
| | | | | | | | | | | | | | |
| No. | Cabinet dimensions | | | x_f mm | c mm | Fixed shelf, 1 U, 75 kg | | Shelf, telescopic, 2 U, 70 kg | | T-bar lock | GND/earthing | | |
| | U | Height mm | Width mm | | | Depth mm | 1 piece assembled | 1 piece assembled | 1 piece assembled | | | 1 piece assembled | |
| 1 | 20 | 998 | 600 | 600 | 60 | 480 | 22117-842 | 22117-845 | 21130-353 | 21130-352 | 23130-092 | 21120-189 | |
| 2 | 20 | 998 | 600 | 800 | 60 | 680 | 22117-843 | 22117-861 | 21130-355 | 21130-354 | 23130-092 | 21120-189 | |
| 3 | 25 | 1220 | 600 | 600 | 60 | 480 | 22117-842 | 22117-845 | 21130-353 | 21130-352 | 23130-092 | 21120-189 | |
| 4 | 25 | 1220 | 600 | 800 | 60 | 680 | 22117-843 | 22117-861 | 21130-355 | 21130-354 | 23130-092 | 21120-189 | |
| 5 | 29 | 1398 | 600 | 600 | 60 | 480 | 22117-842 | 22117-845 | 21130-353 | 21130-352 | 23130-092 | 21120-189 | |
| 6 | 29 | 1398 | 600 | 800 | 60 | 680 | 22117-843 | 22117-861 | 21130-355 | 21130-354 | 23130-092 | 21120-189 | |
| 7 | 34 | 1620 | 600 | 600 | 60 | 480 | 22117-842 | 22117-845 | 21130-353 | 21130-352 | 23130-092 | 21120-189 | |
| 8 | 34 | 1620 | 600 | 800 | 60 | 680 | 22117-843 | 22117-861 | 21130-355 | 21130-354 | 23130-092 | 21120-189 | |
| 9 | 34 | 1620 | 600 | 900 | 60 | 780 | 22117-844 | 22117-843 | - | - | - | - | |
| 10 | 38 | 1798 | 600 | 600 | 60 | 480 | 22117-842 | 22117-845 | 21130-353 | 21130-352 | 23130-092 | 21120-189 | |
| 11 | 38 | 1798 | 600 | 800 | 60 | 680 | 22117-843 | 22117-861 | 21130-355 | 21130-354 | 23130-092 | 21120-189 | |
| 12 | 38 | 1798 | 600 | 900 | 60 | 780 | 22117-844 | 22117-843 | - | - | - | - | |
| 13 | 43 | 2020 | 600 | 600 | 60 | 480 | 22117-842 | 22117-845 | 21130-353 | 21130-352 | 23130-092 | 21120-189 | |
| 14 | 43 | 2020 | 600 | 800 | 60 | 680 | 22117-843 | 22117-861 | 21130-355 | 21130-354 | 23130-092 | 21120-189 | |
| 15 | 43 | 2020 | 600 | 900 | 60 | 780 | 22117-844 | 22117-843 | - | - | - | - | |
| 16 | 47 | 2198 | 600 | 600 | 60 | 480 | 22117-842 | 22117-845 | 21130-353 | 21130-352 | 23130-092 | 21120-189 | |
| 17 | 47 | 2198 | 600 | 800 | 60 | 680 | 22117-843 | 22117-861 | 21130-355 | 21130-354 | 23130-092 | 21120-189 | |
| 18 | 47 | 2198 | 600 | 900 | 60 | 780 | 22117-844 | 22117-843 | - | - | - | - | |

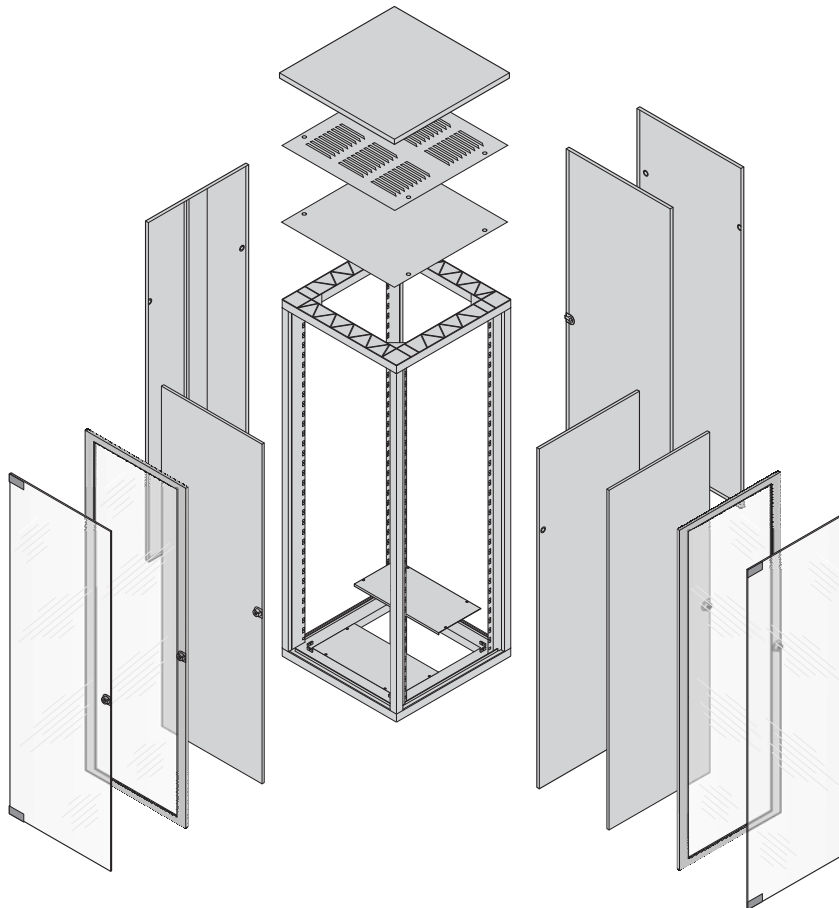
Cabinets – EurorackUniversal ServicePLUS



Cabinets – Eurorack Universal ServicePLUS

EURORACK UNIVERSAL SERVICEPLUS: CONFIGURATION AND ASSEMBLY

- Dimensions:
 - Height: 20 ... 47 U (998 ... 2198 mm)
 - Width: 600, 800 mm
 - Depth: 600, 800, 900 mm
- Colours:
 - Frame, top cover and plinth in black grey (RAL 7021);
 - Side panels and doors in light grey (RAL 7035) or black grey (RAL 7021)
- Build your cabinet out of individual components (please suffix each part number with /05)
- Once you have selected the desired cabinet dimensions, the row number (first column of the configuration tables) will guide you through all subsequent configuration pages that apply to these dimensions (see example below)
- The cabinet is assembled by us and ready for despatch within 10 working days



| | Page |
|---|-------|
| Frames, side-by-side mounting kit, GND/earthing, adjustable feet, castors | 1.302 |
| Doors | 1.303 |
| Door hinge bracket, cable ducting | 1.305 |
| Flush top covers | 1.306 |
| Raised top covers | 1.307 |
| Base plates, plinths | 1.308 |
| 19" panel/slide mounts | 1.309 |
| 19" slide rails | 1.311 |
| Fixed 19" shelves | 1.312 |
| Telescopic 19" shelves | 1.313 |
| Fixed shelves on Universal cabinet uprights | 1.314 |
| Telescopic shelves on Universal cabinet uprights | 1.315 |
| Dimensions Universal frame | 1.275 |

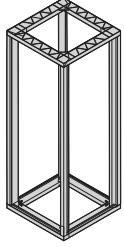
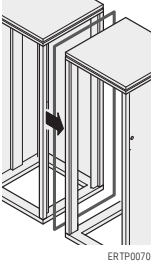
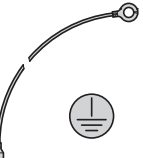
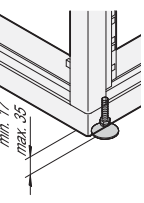
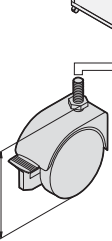
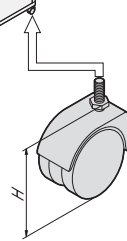
Example configuration (here: row 17)

| Qty | Description | Order no. |
|-----|--|--------------|
| 1 | Universal frame, RAL 7021, height 2020 mm, width 600 mm, depth 900 mm, 1 piece | 22117-792/05 |
| 1 | Adjustable foot, PU 4 pieces | 21101-201/05 |
| 2 | Lateral steel door, opening angle 120°, RAL 7035, 1 piece | 21117-190/05 |
| 2 | Front, rear glass door, RAL 7035, opening angle 180°, 1 piece | 22117-229/05 |
| 1 | DIN profile half cylinder, 1 piece | 60114-121/05 |
| ... | | |

Cabinets – EurorackUniversal ServicePLUS

EURORACK UNIVERSAL FRAMES, SIDE-BY-SIDE MOUNTING KIT, GND/EARTHING, ADJUSTABLE FEET, CASTORS

ORDER INFORMATION

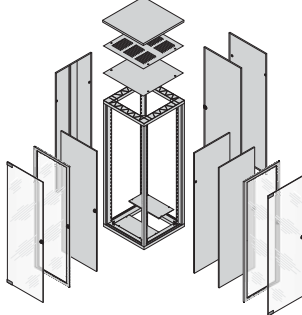
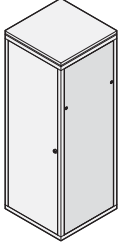
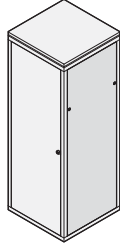
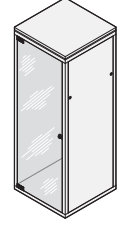
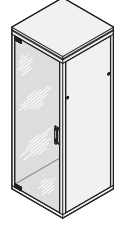
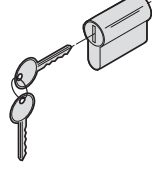
| | | | | | Universal frame (without 19" plane) | Side-by-side mounting kit | GND/earthing | Adjustable feet | Castors | |
|--------------------|----|--------------|-------------|-------------|---|---|---|---|---|---|
| | | | | |  era44489 |  ERTP0070 |  aza43284 |  era44553 |  era44556 |  era44556 |
| | | | | | Universal frame, rack Al die-cast, uprights Al extrusion, 19" plane can be built in 25 mm increments with depth members and depth-adjustable 19" panel/slide mounts | serves to screw together two cabinets | for frame, door, side panel, top cover, base plate | St, PA, black, load- carrying capacity 100 kg per foot | assembly directly onto frame, height H = 93 mm, 2 locking, 2 non- locking castors | assembly directly onto frame, height H = 110 mm, 2 locking, 2 non- locking castors |
| Cabinet dimensions | | | | | 1 piece assembled | 1 piece supplied loose | PU 1 kit assembled | PU 4 pieces assembled | PU 4 pieces enclosed loose | PU 4 pieces enclosed loose |
| No. | U | Height mm | Width mm | Depth mm | | | | | | |
| 1 | 20 | 998 | 600 | 600 | 22117-985 | | | | | |
| 2 | 20 | 998 | 600 | 800 | 22117-986 | 20117-515 | 21101-539 | 21101-201 | 20117-757 | 20117-024 |
| 3 | 25 | 1220 | 600 | 600 | 22117-987 | | | | | |
| 4 | 25 | 1220 | 600 | 800 | 22117-988 | 20117-515 | 21101-539 | 21101-201 | 20117-757 | 20117-024 |
| 5 | 29 | 1398 | 600 | 600 | 22117-989 | | | | | |
| 6 | 29 | 1398 | 600 | 800 | 22117-990 | 20117-515 | 21101-539 | 21101-201 | 20117-757 | 20117-024 |
| 7 | 34 | 1620 | 600 | 600 | 22117-782 | | | | | |
| 8 | 34 | 1620 | 600 | 800 | 22117-783 | 20117-515 | 21101-539 | 21101-201 | 20117-757 | 20117-024 |
| 9 | 34 | 1620 | 600 | 900 | 22117-784 | | | | | |
| 10 | 38 | 1798 | 600 | 600 | 22117-985 | | | | | |
| 11 | 38 | 1798 | 600 | 800 | 22117-986 | 20117-515 | 21101-539 | 21101-201 | 20117-757 | 20117-024 |
| 12 | 38 | 1798 | 600 | 900 | 22117-787 | | | | | |
| 13 | 38 | 1798 | 800 | 600 | 22117-788 | | | | | |
| 14 | 38 | 1798 | 800 | 800 | 22117-789 | 20117-515 | 21101-539 | 21101-201 | 20117-757 | 20117-024 |
| 15 | 43 | 2020 | 600 | 600 | 22117-790 | | | | | |
| 16 | 43 | 2020 | 600 | 800 | 22117-791 | 20117-515 | 21101-539 | 21101-201 | 20117-757 | 20117-024 |
| 17 | 43 | 2020 | 600 | 900 | 22117-792 | | | | | |
| 18 | 43 | 2020 | 800 | 600 | 22117-793 | | | | | |
| 19 | 43 | 2020 | 800 | 800 | 22117-794 | 20117-515 | 21101-539 | 21101-201 | 20117-757 | 20117-024 |
| 20 | 47 | 2198 | 600 | 600 | 22117-991 | | | | | |
| 21 | 47 | 2198 | 600 | 800 | 22117-796 | 20117-515 | 21101-539 | 21101-201 | 20117-757 | 20117-024 |
| 22 | 47 | 2198 | 600 | 900 | 22117-992 | | | | | |
| 23 | 47 | 2198 | 800 | 800 | 22117-797 | 20117-515 | 21101-539 | 21101-201 | 20117-757 | 20117-024 |

Frame dimensions, see page 1.275

Cabinets – EurorackUniversal Ser-

EURORACK UNIVERSAL SIDE PANELS, GLASS DOORS

ORDER INFORMATION

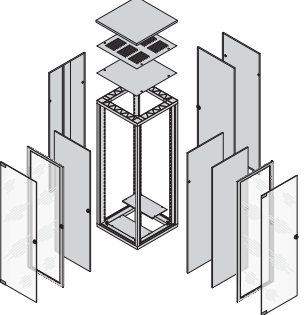
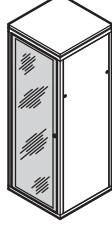
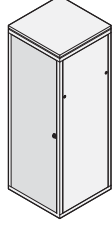
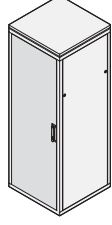
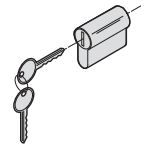
| | | | | | Side panel with side-panel catches | Side panel with safety lock | Glass door Opening angle 120° | Glass door Opening angle 180° | DIN profile half cylinder | | |
|---|--------------------|-----------|----------|----------|--|--|--|--|--|-------------------|-------------------|
|  | | | | |  <small>ERA44517</small> St, 1 mm, RAL 7035, 2 side panel catches; instead of a side panel, doors can also be mounted laterally |  <small>ERA44517</small> St, 1 mm, RAL 7021, 2 side panel catches; instead of a side panel, doors can also be mounted laterally |  <small>mra45967</small> glazing smoke grey, Sekurit, 6 mm, safety lock with 2 keys |  <small>00101506</small> glazing smoke grey, Sekurit, 6 mm, lever handle (incl. blank insert) |  <small>SZA44484</small> DIN profile half cylinder for lever handle | | |
| No. | Cabinet dimensions | | | | RAL 7035 | RAL 7021 | RAL 7035 | RAL 7021 | 1 piece assembled | 1 piece assembled | 1 piece assembled |
| | U | Height mm | Width mm | Depth mm | PU 2 pieces assembled | PU 2 pieces assembled | PU 2 pieces assembled | PU 2 pieces assembled | | | |
| 1 | 20 | 998 | 600 | 600 | 21117-158 | 22117-993 | - | - | 20117-745 | - | - |
| 2 | 20 | 998 | 600 | 800 | 21117-167 | 22117-994 | - | - | 20117-745 | - | - |
| 3 | 25 | 1220 | 600 | 600 | 21117-159 | 22117-995 | - | - | 20117-746 | - | - |
| 4 | 25 | 1220 | 600 | 800 | 21117-168 | 22117-996 | - | - | 20117-746 | - | - |
| 5 | 29 | 1398 | 600 | 600 | 21117-160 | 22117-997 | 22117-185 | 23117-002 | 20117-747 | 22117-239 | 60114-121 |
| 6 | 29 | 1398 | 600 | 800 | 21117-169 | 22117-998 | 22117-186 | 23117-003 | 20117-747 | 22117-239 | 60114-121 |
| 7 | 34 | 1620 | 600 | 600 | 21117-161 | 22117-958 | 22117-173 | 23117-004 | 20117-747 | 22117-239 | 60114-121 |
| 8 | 34 | 1620 | 600 | 800 | 21117-170 | 22117-959 | 22117-177 | 23117-005 | 20117-748 | 22117-227 | 60114-121 |
| 9 | 34 | 1620 | 600 | 900 | 21117-179 | 22117-960 | 22117-181 | 23117-006 | 20117-748 | 22117-227 | 60114-121 |
| 10 | 38 | 1798 | 600 | 600 | 21117-162 | 22117-961 | 22117-174 | 23117-007 | 20117-747 | 22117-239 | 60114-121 |
| 11 | 38 | 1798 | 600 | 800 | 21117-171 | 22117-962 | 22117-178 | 23117-008 | 20117-749 | 22117-228 | 60114-121 |
| 12 | 38 | 1798 | 600 | 900 | 21117-180 | 22117-963 | 22117-182 | 23117-009 | 20117-749 | 22117-228 | 60114-121 |
| 13 | 38 | 1798 | 800 | 600 | 21117-162 | 22117-961 | 22117-174 | 23117-007 | 20117-754 | 22117-236 | 60114-121 |
| 14 | 38 | 1798 | 800 | 800 | 21117-171 | 22117-962 | 22117-178 | 23117-008 | 20117-754 | 22117-236 | 60114-121 |
| 15 | 43 | 2020 | 600 | 600 | 21117-163 | 22117-964 | 22117-175 | 22117-968 | 20117-753 | 22117-237 | 60114-121 |
| 16 | 43 | 2020 | 600 | 800 | 21117-172 | 22117-965 | 22117-179 | 22117-969 | 20117-751 | 22117-229 | 60114-121 |
| 17 | 43 | 2020 | 600 | 900 | 21117-181 | 22117-966 | 22117-592 | 22117-970 | 20117-751 | 22117-229 | 60114-121 |
| 18 | 43 | 2020 | 800 | 600 | 21117-163 | 22117-964 | 22117-175 | 22117-968 | 20117-753 | 22117-237 | 60114-121 |
| 19 | 43 | 2020 | 800 | 800 | 21117-172 | 22117-965 | 22117-179 | 22117-969 | 20117-753 | 22117-237 | 60114-121 |
| 20 | 47 | 2198 | 600 | 600 | 21117-164 | 22117-999 | 22117-176 | 23117-010 | 20117-752 | 22117-230 | 60114-121 |
| 21 | 47 | 2198 | 600 | 800 | 21117-173 | 22117-967 | 22117-180 | 22117-971 | 20117-752 | 22117-230 | 60114-121 |
| 22 | 47 | 2198 | 600 | 900 | 21117-182 | 23117-001 | 22117-593 | 22117-972 | 20117-752 | 22117-230 | 60114-121 |
| 23 | 47 | 2198 | 800 | 800 | 21117-173 | 22117-967 | 22117-180 | 22117-971 | 20117-756 | 22117-238 | 60114-121 |

Note: Doors can also be assembled laterally, in place of side panels

Cabinets – EurorackUniversal ServicePLUS

EURORACK UNIVERSAL DOORS

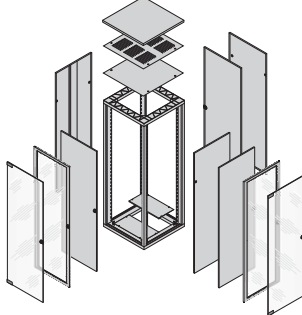
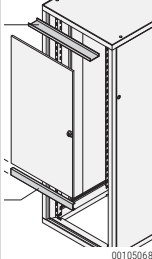
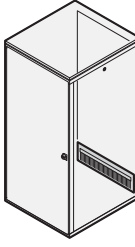
ORDER INFORMATION

| | | | | | Glazed acrylic glass door Opening angle 120° | | Steel door Opening angle 120° | | Steel door Opening angle 180° | | DIN profile half cylinder |
|--|--------------------|--------------|-------------|-------------|--|---|--|---|--|---|--|
|  | | | | |  <p style="text-align: right; font-size: small;">#4491b</p> | |  <p style="text-align: right; font-size: small;">00101506</p> | |  <p style="text-align: right; font-size: small;">00101504</p> | |  <p style="text-align: right; font-size: small;">SZ444484</p> |
| | | | | | frame, Al, 2 mm, RAL 7035; acrylic glass, 2 mm, safety lock with 2 keys | frame, Al, 2 mm, RAL 7021, acrylic glass, 2 mm, safety lock with 2 keys | St, 1 mm, RAL 7035, safety lock with 2 keys | St, 1 mm, RAL 7021, safety lock with 2 keys | St, 1 mm, RAL 7035, lever handle (incl. blank insert), please order DIN profile half cylinder separately | St, 1 mm, RAL 7021, lever handle (incl. blank insert), please order DIN profile half cylinder separately | DIN profile half cylinder for lever handle |
| No. | Cabinet dimensions | | | | RAL 7035 | RAL 7021 | RAL 7035 | RAL 7021 | RAL 7035 | RAL 7021 | 1 piece assembled |
| | U | Height mm | Width mm | Depth mm | 1 piece assembled | 1 piece assembled | 1 piece assembled | 1 piece assembled | 1 piece assembled | 1 piece assembled | |
| 1 | 20 | 998 | 600 | 600 | | | | | | | |
| 2 | 20 | 998 | 600 | 800 | 20117-770 | 22117-944 | 21117-185 | 22117-935 | - | - | - |
| 3 | 25 | 1220 | 600 | 600 | | | | | | | |
| 4 | 25 | 1220 | 600 | 800 | 20117-771 | 22117-945 | 21117-186 | 22117-936 | - | - | - |
| 5 | 29 | 1398 | 600 | 600 | | | | | | | |
| 6 | 29 | 1398 | 600 | 800 | 20117-772 | 23117-011 | 21117-187 | 23117-012 | 22117-201 | 23117-013 | 60114-121 |
| 7 | 34 | 1620 | 600 | 600 | | | | | | | |
| 8 | 34 | 1620 | 600 | 800 | 20117-765 | 22117-946 | 21117-188 | 22117-937 | 22117-189 | 23117-014 | 60114-121 |
| 9 | 34 | 1620 | 600 | 900 | | | | | | | |
| 10 | 38 | 1798 | 600 | 600 | | | | | | | |
| 11 | 38 | 1798 | 600 | 800 | 20117-766 | 22117-947 | 21117-189 | 22117-938 | 22117-190 | 23117-015 | 60114-121 |
| 12 | 38 | 1798 | 600 | 900 | | | | | | | |
| 13 | 38 | 1798 | 800 | 600 | | | | | | | |
| 14 | 38 | 1798 | 800 | 800 | 20117-775 | 22117-948 | 21117-198 | 22117-939 | 22117-198 | 23117-016 | 60114-121 |
| 15 | 43 | 2020 | 600 | 600 | | | | | | | |
| 16 | 43 | 2020 | 600 | 800 | 20117-767 | 22117-949 | 21117-190 | 22117-940 | 22117-191 | 22117-973 | 60114-121 |
| 17 | 43 | 2020 | 600 | 900 | | | | | | | |
| 18 | 43 | 2020 | 800 | 600 | | | | | | | |
| 19 | 43 | 2020 | 800 | 800 | 20117-776 | 22117-950 | 21117-199 | 22117-941 | 22117-199 | 22117-974 | 60114-121 |
| 20 | 47 | 2198 | 600 | 600 | | | | | | | |
| 21 | 47 | 2198 | 600 | 800 | 20117-768 | 22117-951 | 21117-191 | 22117-942 | 22117-192 | 22117-975 | 60114-121 |
| 22 | 47 | 2198 | 600 | 900 | | | | | | | |
| 23 | 47 | 2198 | 800 | 800 | 20117-777 | 22117-952 | 21117-200 | 22117-957 | 22117-200 | 22117-976 | 60114-121 |

Cabinets – EurorackUniversal Ser-

EURORACK UNIVERSAL DOOR HINGE BRACKET, CABLE DUCTING

ORDER INFORMATION

| | | | | | Door hinge bracket for Universal frame | Cable ducting frame | |
|---|--------------------|----------|----------|----------|---|--|-------------------|
| | | | | | | 3 U | 4 U |
|  | | | | |  <p>00105068</p> <p>St, 1.5 mm, RAL 7021, assembly above or below shortened door, 1 U assembly area, please order 19" panel/slide mount and cable ducting plate separately</p> |  <p>SZA45958</p> <p>St, 2.5 mm, RAL 7021, with black brush strip for short doors or rear panels</p> | |
| No. | Cabinet dimensions | | | | 1 piece assembled | 1 piece assembled | 1 piece assembled |
| | Height U | Width mm | Depth mm | Depth mm | | | |
| 1 | 20 | 998 | 600 | 600 | | | |
| 2 | 20 | 998 | 600 | 800 | 22117-799 | 20118-796 | 20118-797 |
| 3 | 25 | 1220 | 600 | 600 | | | |
| 4 | 25 | 1220 | 600 | 800 | 22117-799 | 20118-796 | 20118-797 |
| 5 | 29 | 1398 | 600 | 600 | | | |
| 6 | 29 | 1398 | 600 | 800 | 22117-799 | 20118-796 | 20118-797 |
| 7 | 34 | 1620 | 600 | 600 | | | |
| 8 | 34 | 1620 | 600 | 800 | 22117-799 | 20118-796 | 20118-797 |
| 9 | 34 | 1620 | 600 | 900 | | | |
| 10 | 38 | 1798 | 600 | 600 | | | |
| 11 | 38 | 1798 | 600 | 800 | 22117-799 | 20118-796 | 20118-797 |
| 12 | 38 | 1798 | 600 | 900 | | | |
| 13 | 38 | 1798 | 800 | 600 | | | |
| 14 | 38 | 1798 | 800 | 800 | - | - | - |
| 15 | 43 | 2020 | 600 | 600 | | | |
| 16 | 43 | 2020 | 600 | 800 | 22117-799 | 20118-796 | 20118-797 |
| 17 | 43 | 2020 | 600 | 900 | | | |
| 18 | 43 | 2020 | 800 | 600 | | | |
| 19 | 43 | 2020 | 800 | 800 | - | - | - |
| 20 | 47 | 2198 | 600 | 600 | | | |
| 21 | 47 | 2198 | 600 | 800 | 22117-799 | 20118-796 | 20118-797 |
| 22 | 47 | 2198 | 600 | 900 | | | |
| 23 | 47 | 2198 | 800 | 800 | - | - | - |

Cabinets – EurorackUniversal ServicePLUS

EURORACK UNIVERSAL FLUSH TOP COVERS

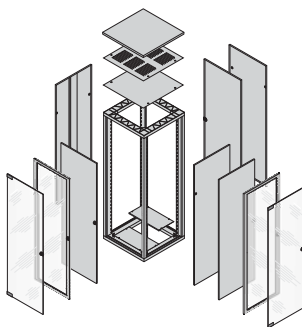
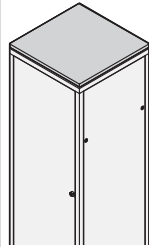
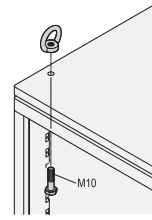
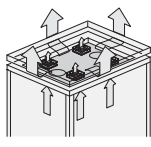
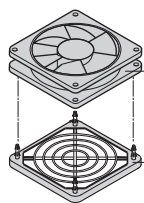
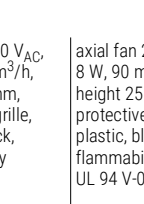
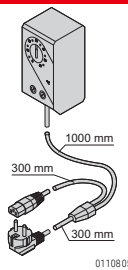
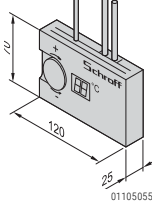
ORDER INFORMATION

| | | | | | Flush top cover | | | Top cover fan for flush lowered top cover | | | |
|-----|--------------------|-------|-------|-----|------------------------------------|------------------------------------|---|--|--|--|--|
| | | | | | Plain | Louvered | Lifting eyes | Fan tray without fan | Fan for fan tray | Thermostat | Speed control |
| | | | | | ERA44525 St, 1 mm, RAL 7021 | ERA45344 St, 1 mm, RAL 7021 | ERA44560 lifting eye for flush cover, application and static load-carrying capacity in accordance with DIN 582 | ertp0055 St, 1.5 mm, RAL 7021, all 6 openings closed with PE blank plugs, terminal clamp with connecting cable, 2 m, IEC 60320 C14 plug | KT444844 axial fan 230 V _{AC} , 8 W, 90 m ³ /h, height 25 mm, protective grille, plastic, black, flammability UL 94 V-0 | 01108052 for fan tray, with mains cable 230 V _{AC} (SCHUKO/UTE plug/ IEC 60320 C13 socket), adjustment range 0 ... 60 °C | 01105055 fully wired, 90 ... 264 V _{AC} input SCHUKO/UTE plug, outlet IEC 60320 C1 3 socket; external NTC sensor 1.5 m |
| No. | Cabinet dimensions | | | | 1 piece assembled | 1 piece assembled | PU 4 pieces assembled | 1 piece assembled | 1 piece assembled | 1 piece assembled | 1 piece assembled |
| | Height | Width | Depth | | | | | | | | |
| | U | mm | mm | mm | | | | | | | |
| 1 | 20 | 998 | 600 | 600 | 22117-801 | 22117-806 | 20117-080 | 22117-821 | 20713-048 | 24630-119 | 60715-005 |
| 2 | 20 | 998 | 600 | 800 | 22117-802 | 22117-807 | | 22117-822 | | | |
| 3 | 25 | 1220 | 600 | 600 | 22117-801 | 22117-806 | 20117-080 | 22117-821 | 20713-048 | 24630-119 | 60715-005 |
| 4 | 25 | 1220 | 600 | 800 | 22117-802 | 22117-807 | | 22117-822 | | | |
| 5 | 29 | 1398 | 600 | 600 | 22117-801 | 22117-806 | 20117-080 | 22117-821 | 20713-048 | 24630-119 | 60715-005 |
| 6 | 29 | 1398 | 600 | 800 | 22117-802 | 22117-807 | | 22117-822 | | | |
| 7 | 34 | 1620 | 600 | 600 | 22117-801 | 22117-806 | | 22117-821 | | | |
| 8 | 34 | 1620 | 600 | 800 | 22117-802 | 22117-807 | 20117-080 | 22117-822 | 20713-048 | 24630-119 | 60715-005 |
| 9 | 34 | 1620 | 600 | 900 | 22117-803 | 22117-808 | | 22117-823 | | | |
| 10 | 38 | 1798 | 600 | 600 | 22117-801 | 22117-806 | | 22117-821 | | | |
| 11 | 38 | 1798 | 600 | 800 | 22117-802 | 22117-807 | 20117-080 | 22117-822 | 20713-048 | 24630-119 | 60715-005 |
| 12 | 38 | 1798 | 600 | 900 | 22117-803 | 22117-808 | | 22117-823 | | | |
| 13 | 38 | 1798 | 800 | 600 | 22117-802 | 22117-807 | 20117-080 | 22117-824 | 20713-048 | 24630-119 | 60715-005 |
| 14 | 38 | 1798 | 800 | 800 | 22117-804 | 22117-809 | | 22117-825 | | | |
| 15 | 43 | 2020 | 600 | 600 | 22117-801 | 22117-806 | | 22117-821 | | | |
| 16 | 43 | 2020 | 600 | 800 | 22117-802 | 22117-807 | 20117-080 | 22117-822 | 20713-048 | 24630-119 | 60715-005 |
| 17 | 43 | 2020 | 600 | 900 | 22117-803 | 22117-808 | | 22117-823 | | | |
| 18 | 43 | 2020 | 800 | 600 | 22117-802 | 22117-807 | | 22117-824 | | | |
| 19 | 43 | 2020 | 800 | 800 | 22117-804 | 22117-809 | 20117-080 | 22117-825 | 20713-048 | 24630-119 | 60715-005 |
| 20 | 47 | 2198 | 600 | 600 | 22117-801 | 22117-806 | | 22117-821 | | | |
| 21 | 47 | 2198 | 600 | 800 | 22117-802 | 22117-807 | 20117-080 | 22117-822 | 20713-048 | 24630-119 | 60715-005 |
| 22 | 47 | 2198 | 600 | 900 | 22117-803 | 22117-808 | | 22117-823 | | | |
| 23 | 47 | 2198 | 800 | 800 | 22117-804 | 22117-809 | 20117-080 | 22117-825 | 20713-048 | 24630-119 | 60715-005 |

Cabinets – EurorackUniversal Ser-

EURORACK UNIVERSAL RAISED TOP COVERS

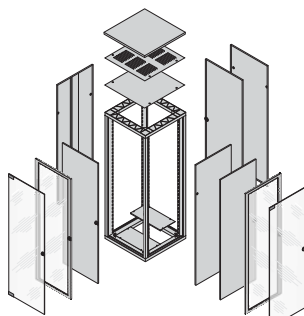
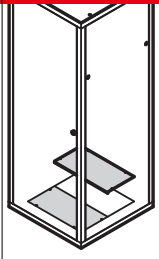
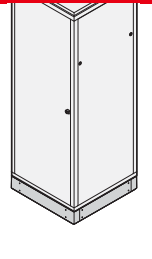
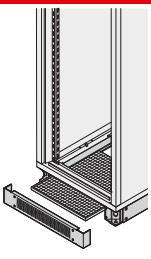
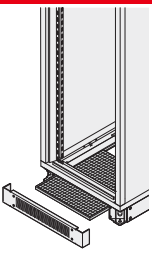
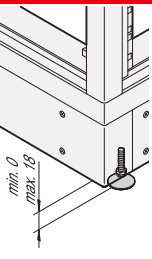
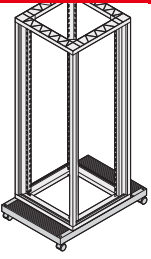
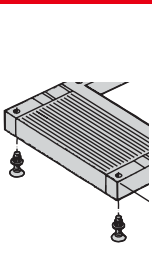
ORDER INFORMATION

| | | | | | Raised top cover | | Fan for raised top cover | | | | |
|---|--------------------|-----------|----------|----------|--|---|--|---|---|--|--|
| | | | | | Raised | Lifting eyes | Fan tray without fan | Fan for fan tray | | Thermostat | Speed control |
|  | | | | |  ERA44526 St, 1.5 mm, RAL 7021, air gap all round 8 mm, IP 20 |  ERA44560 lifting eye for raised top cover, application and static load-carrying capacity in accordance with DIN 582 |  ertp0055 St, 1.5 mm, RAL 7021, all 6 openings closed with PE blank plugs, terminal clamp with connecting cable, 2 m, IEC- 60320 C14 plug |  KTA44844 axial fan 230 V _{AC} , 15 W, 162 m ³ /h, height 38 mm, protective grille, plastic, black, flammability UL 94 V-0 |  axial fan 230 V _{AC} , 8 W, 90 m ³ /h, height 25 mm, protective grille, plastic, black, flammability UL 94 V-0 |  01108052 for fan tray, with mains cable 230 V _{AC} (SCHUKO/UTE plug/ IEC 60320 C13 socket), adjustment range 0 ... 60°C |  01105055 fully wired, 90 ... 264 V _{AC} , input SCHUKO/UTE plug, outlet IEC 60320 C13 socket; external NTC sensor 1.5 m |
| No. | Cabinet dimensions | | | | 1 piece assembled | PU 4 pieces assembled | 1 piece assembled | 1 piece assembled | 1 piece assembled | 1 piece assembled | 1 piece assembled |
| | U | Height mm | Width mm | Depth mm | | | | | | | |
| 1 | 20 | 998 | 600 | 600 | 22117-811 | 20150-011 | 22117-821 | 20713-243 | 20713-048 | 24630-119 | 60715-005 |
| 2 | 20 | 998 | 600 | 800 | 22117-812 | | 22117-822 | | | | |
| 3 | 25 | 1220 | 600 | 600 | 22117-811 | 20150-011 | 22117-821 | 20713-243 | 20713-048 | 24630-119 | 60715-005 |
| 4 | 25 | 1220 | 600 | 800 | 22117-812 | | 22117-822 | | | | |
| 5 | 29 | 1398 | 600 | 600 | 22117-811 | 20150-011 | 22117-821 | 20713-243 | 20713-048 | 24630-119 | 60715-005 |
| 6 | 29 | 1398 | 600 | 800 | 22117-812 | | 22117-822 | | | | |
| 7 | 34 | 1620 | 600 | 600 | 22117-811 | | 22117-821 | | | | |
| 8 | 34 | 1620 | 600 | 800 | 22117-812 | 20150-011 | 22117-822 | 20713-243 | 20713-048 | 24630-119 | 60715-005 |
| 9 | 34 | 1620 | 600 | 900 | 22117-813 | | 22117-823 | | | | |
| 10 | 38 | 1798 | 600 | 600 | 22117-811 | | 22117-821 | | | | |
| 11 | 38 | 1798 | 600 | 800 | 22117-812 | 20150-011 | 22117-822 | 20713-243 | 20713-048 | 24630-119 | 60715-005 |
| 12 | 38 | 1798 | 600 | 900 | 22117-813 | | 22117-823 | | | | |
| 13 | 38 | 1798 | 800 | 600 | 22117-812 | 20150-011 | 22117-824 | 20713-243 | 20713-048 | 24630-119 | 60715-005 |
| 14 | 38 | 1798 | 800 | 800 | 22117-814 | | 22117-825 | | | | |
| 15 | 43 | 2020 | 600 | 600 | 22117-811 | | 22117-821 | | | | |
| 16 | 43 | 2020 | 600 | 800 | 22117-812 | 20150-011 | 22117-822 | 20713-243 | 20713-048 | 24630-119 | 60715-005 |
| 17 | 43 | 2020 | 600 | 900 | 22117-813 | | 22117-823 | | | | |
| 18 | 43 | 2020 | 800 | 600 | 22117-812 | 20150-011 | 22117-824 | 20713-243 | 20713-048 | 24630-119 | 60715-005 |
| 19 | 43 | 2020 | 800 | 800 | 22117-814 | | 22117-825 | | | | |
| 20 | 47 | 2198 | 600 | 600 | 22117-811 | | 22117-821 | | | | |
| 21 | 47 | 2198 | 600 | 800 | 22117-812 | 20150-011 | 22117-824 | 20713-243 | 20713-048 | 24630-119 | 60715-005 |
| 22 | 47 | 2198 | 600 | 900 | 22117-813 | | 22117-823 | | | | |
| 23 | 47 | 2198 | 800 | 800 | 22117-814 | 20150-011 | 22117-825 | 20713-243 | 20713-048 | 24630-119 | 60715-005 |

Cabinets – EurorackUniversal ServicePLUS

EURORACK UNIVERSAL BASE PLATES, PLINTHS

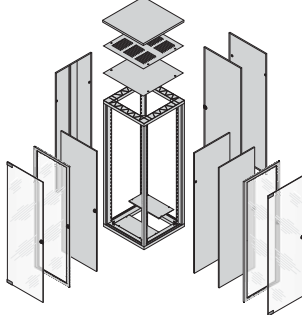
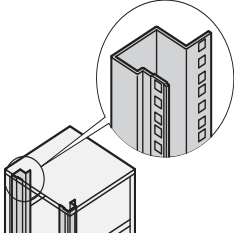
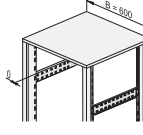
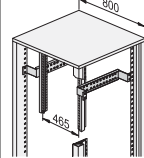
ORDER INFORMATION

| | | | | | Base plate | Fixed base/plinth, height 100 mm | | | Mobile base/plinth | | |
|--|--------------------|----------|----------|-----|---|---|---|---|--|--|--|
| | | | | | | Plain | With ventilation | Filter mat | Adjustable feet | Base/plinth | Jacking foot |
|  | | | | |  00108051 St, 1.5 mm, RAL 7021, two parts, mounting on frame |  ERA44532 base/plinth, Al die-cast, covers, St, 2.5 mm, RAL 7021 |  ERTP0057 base/plinth, Al die-cast, covers, St, 2.5 mm, RAL 7021, front and rear with ventilation openings |  ERTP0057 filter mat for fixed base/plinth, with ventilation |  era44553 St, PA, black, load-carrying capacity 100 kg per foot |  era45323 Al die-cast, RAL 7021, static load-carrying capacity 300 kg, with rubber mat, 4 castors, PA |  ERA44532 for mobile base, mounted below front, adjustment from above |
| No. | Cabinet dimensions | | | | PU 2 pieces enclosed loose | 1 piece assembled | 1 piece assembled | PU 3 pieces enclosed loose | PU 4 pieces assembled | 1 piece assembled | PU 2 pieces assembled |
| | Height U | Width mm | Depth mm | mm | | | | | | | |
| 1 | 20 | 998 | 600 | 600 | 22117-826 | 22117-830 | 22117-864 | 60114-514 | 21101-201 | 22117-869 | 20117-503 |
| 2 | 20 | 998 | 600 | 800 | 22117-827 | 22117-831 | 22117-865 | 60114-515 | | | |
| 3 | 25 | 1220 | 600 | 600 | 22117-826 | 22117-830 | 22117-864 | 60114-514 | 21101-201 | 22117-869 | 20117-503 |
| 4 | 25 | 1220 | 600 | 800 | 22117-827 | 22117-831 | 22117-865 | 60114-515 | | | |
| 5 | 29 | 1398 | 600 | 600 | 22117-826 | 22117-830 | 22117-864 | 60114-514 | 21101-201 | 22117-869 | 20117-503 |
| 6 | 29 | 1398 | 600 | 800 | 22117-827 | 22117-831 | 22117-865 | 60114-515 | | | |
| 7 | 34 | 1620 | 600 | 600 | 22117-826 | 22117-830 | 22117-864 | 60114-514 | 21101-201 | 22117-869 | 20117-503 |
| 8 | 34 | 1620 | 600 | 800 | 22117-827 | 22117-831 | 22117-865 | 60114-515 | 21101-201 | 22117-869 | 20117-503 |
| 9 | 34 | 1620 | 600 | 900 | 22117-828 | 22117-832 | 22117-866 | - | 21101-201 | - | - |
| 10 | 38 | 1798 | 600 | 600 | 22117-826 | 22117-830 | 22117-864 | 60114-514 | 21101-201 | 22117-869 | 20117-503 |
| 11 | 38 | 1798 | 600 | 800 | 22117-827 | 22117-831 | 22117-865 | 60114-515 | 21101-201 | 22117-869 | 20117-503 |
| 12 | 38 | 1798 | 600 | 900 | 22117-828 | 22117-832 | 22117-866 | - | 21101-201 | - | - |
| 13 | 38 | 1798 | 800 | 600 | 22117-827 | 22117-833 | 22117-867 | 60114-517 | 21101-201 | - | - |
| 14 | 38 | 1798 | 800 | 800 | 22117-829 | 22117-834 | 22117-868 | 60114-518 | | | |
| 15 | 43 | 2020 | 600 | 600 | 22117-826 | 22117-830 | 22117-864 | 60114-514 | 21101-201 | 22117-869 | 20117-503 |
| 16 | 43 | 2020 | 600 | 800 | 22117-827 | 22117-831 | 22117-865 | 60114-515 | 21101-201 | 22117-869 | 20117-503 |
| 17 | 43 | 2020 | 600 | 900 | 22117-828 | 22117-832 | 22117-866 | - | 21101-201 | - | - |
| 18 | 43 | 2020 | 800 | 600 | 22117-827 | 22117-833 | 22117-867 | 60114-517 | 21101-201 | - | - |
| 19 | 43 | 2020 | 800 | 800 | 22117-829 | 22117-834 | 22117-868 | 60114-518 | | | |
| 20 | 47 | 2198 | 600 | 600 | 22117-827 | 22117-830 | 22117-864 | 60114-514 | 21101-201 | 22117-869 | 20117-503 |
| 21 | 47 | 2198 | 600 | 800 | 22117-829 | 22117-831 | 22117-865 | 60114-515 | 21101-201 | 22117-869 | 20117-503 |
| 22 | 47 | 2198 | 600 | 900 | 22117-827 | 22117-832 | 22117-866 | - | 21101-201 | - | - |
| 23 | 47 | 2198 | 800 | 800 | 22117-829 | 22117-834 | 22117-868 | 60114-518 | 21101-201 | - | - |

Cabinets – EurorackUniversal Ser-

EURORACK UNIVERSAL 19" PANEL/SLIDE MOUNTS

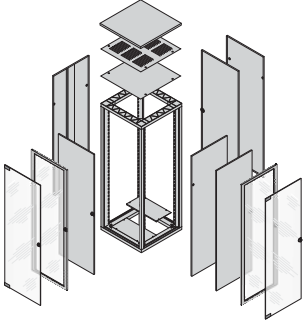
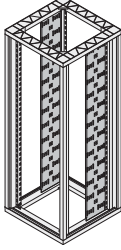
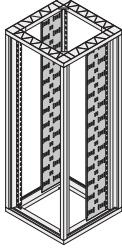
ORDER INFORMATION

| | | | | | 19" panel/slide mount | | Depth member for 600 mm width | Reduced width depth member for 800 mm width |
|---|--------------------|-------------|-------------|--------------------------|---|--------------------------|---|---|
| | | | | | RAL 7021 | AlZn | | |
|  | | | | |  <p>St, 1.5 mm, for depth-adjustable fitting: cabinet depth 600 mm: please order depth members, cabinet depth 800 mm: please order reduced-width depth members</p> | |  <p>St, 1.5 mm, AlZn</p> |  <p>St, 2.5 mm, zinc-plated, RAL 7021, 19" plane at least 110 mm from front edge of cabinet; please order panel/slide mounts (2 pairs) separately</p> |
| No. | Cabinet dimensions | | | RAL 7021 | AlZn | AlZn | RAL 7021 | |
| | Height U | Width mm | Depth mm | PU 2 pieces assembled | PU 2 pieces assembled | PU 2 pieces assembled | PU 2 pieces assembled | |
| 1 | 20 | 998 | 600 | 600 | 23117-017 | 22117-352 | 22117-389 | |
| 2 | 20 | 998 | 600 | 800 | 23117-017 | 22117-352 | 22117-390 | |
| 3 | 25 | 1220 | 600 | 600 | 23117-018 | 22117-353 | 22117-389 | |
| 4 | 25 | 1220 | 600 | 800 | 23117-018 | 22117-353 | 22117-390 | |
| 5 | 29 | 1398 | 600 | 600 | 23117-019 | 22117-354 | 22117-389 | |
| 6 | 29 | 1398 | 600 | 800 | 23117-019 | 22117-354 | 22117-390 | |
| 7 | 34 | 1620 | 600 | 600 | 22117-835 | 22117-355 | 22117-389 | |
| 8 | 34 | 1620 | 600 | 800 | 22117-835 | 22117-355 | 22117-390 | |
| 9 | 34 | 1620 | 600 | 900 | 22117-835 | 22117-355 | 22117-391 | |
| 10 | 38 | 1798 | 600 | 600 | 22117-836 | 22117-356 | 22117-389 | |
| 11 | 38 | 1798 | 600 | 800 | 22117-836 | 22117-356 | 22117-390 | |
| 12 | 38 | 1798 | 600 | 900 | 22117-836 | 22117-356 | 22117-391 | |
| 13 | 38 | 1798 | 800 | 600 | 22117-836 | 22117-356 | - | |
| 14 | 38 | 1798 | 800 | 800 | 22117-836 | 22117-356 | 22117-839 22117-840 | |
| 15 | 43 | 2020 | 600 | 600 | 22117-837 | 22117-357 | 22117-389 | |
| 16 | 43 | 2020 | 600 | 800 | 22117-837 | 22117-357 | 22117-390 | |
| 17 | 43 | 2020 | 600 | 900 | 22117-837 | 22117-357 | 22117-391 | |
| 18 | 43 | 2020 | 800 | 600 | 22117-837 | 22117-357 | - | |
| 19 | 43 | 2020 | 800 | 800 | 22117-837 | 22117-357 | 22117-839 22117-840 | |
| 20 | 47 | 2198 | 600 | 600 | 22117-838 | 22117-358 | 22117-389 | |
| 21 | 47 | 2198 | 600 | 800 | 22117-838 | 22117-358 | 22117-390 | |
| 22 | 47 | 2198 | 600 | 900 | 22117-838 | 22117-358 | 22117-391 | |
| 23 | 47 | 2198 | 800 | 800 | 22117-838 | 22117-358 | - | |

Cabinets – EurorackUniversal ServicePLUS

EURORACK UNIVERSAL LATERAL CABLE DUCTING

ORDER INFORMATION

| | | | | | Lateral cable ducting | | | |
|--|--------------------|------|-----|-----|---|--------------------------|---|--------------------------|
| | | | | | Cable panel Width 150 mm | | Cable panel Width 250 mm | |
|  | | | | |  00108061 | |  00108061 | |
| | | | | | | | | |
| No. | Cabinet dimensions | | | | RAL 7035 | RAL 7021 | RAL 7035 | RAL 7021 |
| | U | mm | mm | mm | PU 2 pieces assembled | PU 2 pieces assembled | PU 2 pieces assembled | PU 2 pieces assembled |
| 1 | 20 | 998 | 600 | 600 | - | - | - | - |
| 2 | 20 | 998 | 600 | 800 | - | - | - | - |
| 3 | 25 | 1220 | 600 | 600 | - | - | - | - |
| 4 | 25 | 1220 | 600 | 800 | - | - | - | - |
| 5 | 29 | 1398 | 600 | 600 | - | - | - | - |
| 6 | 29 | 1398 | 600 | 800 | - | - | - | - |
| 7 | 34 | 1620 | 600 | 600 | - | - | - | - |
| 8 | 34 | 1620 | 600 | 800 | - | - | - | - |
| 9 | 34 | 1620 | 600 | 900 | - | - | - | - |
| 10 | 38 | 1798 | 600 | 600 | - | - | - | - |
| 11 | 38 | 1798 | 600 | 800 | 23117-026 | 23117-020 | 23117-029 | 23117-023 |
| 12 | 38 | 1798 | 600 | 900 | - | - | - | - |
| 13 | 38 | 1798 | 800 | 600 | 23117-026 | 23117-020 | 23117-029 | 23117-023 |
| 14 | 38 | 1798 | 800 | 800 | - | - | - | - |
| 15 | 43 | 2020 | 600 | 600 | - | - | - | - |
| 16 | 43 | 2020 | 600 | 800 | 23117-027 | 23117-021 | 23117-030 | 23117-024 |
| 17 | 43 | 2020 | 600 | 900 | - | - | - | - |
| 18 | 43 | 2020 | 800 | 600 | - | - | - | - |
| 19 | 43 | 2020 | 800 | 800 | 23117-027 | 23117-021 | 23117-030 | 23117-024 |
| 20 | 47 | 2198 | 600 | 600 | - | - | - | - |
| 21 | 47 | 2198 | 600 | 800 | 23117-028 | 23117-022 | 23117-031 | 23117-025 |
| 22 | 47 | 2198 | 600 | 900 | - | - | - | - |
| 23 | 47 | 2198 | 800 | 800 | 23117-028 | 23117-022 | 23117-031 | 23117-025 |

Cabinets – EurorackUniversal Ser-

EURORACK UNIVERSAL 19" SLIDE RAILS

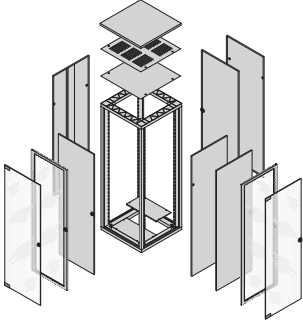
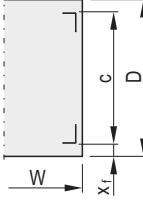
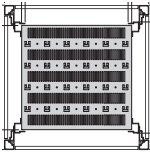
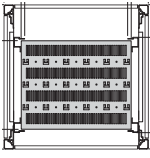
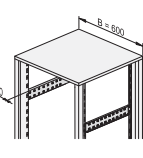
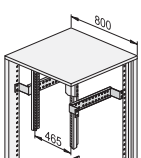
ORDER INFORMATION

| | | | | | Dimensions standard assembly | | Slide rail 25 kg | | 40 kg, depth-adjustable | Short slide rail | | |
|-----|--------------------|----------|----------|-------------------|--|-------------|--|----------------------------|--|--|------------------|-------|
| | | | | | | | | | | | | |
| | | | | | <small>00205066</small> X _f = distance from front c = pitch of 19" plane D = cabinet depth W = cabinet width | | <small>00108056</small> St, 1.5 mm, finish AlZn, static load-carrying capacity 25 kg/pair, panel/slide mounts (2 pairs), please order reduced width/depth members separately see page 1.309 | | <small>41 003081</small> St, 1.5 mm, finish AlZn, static load-carrying capacity 40 kg/pair, depth-adjustable (c: 675-850 mm); please order panel/slide mounts (2 pairs) separately see page 1.309 | <small>sc96xxxx</small> St, 1.5 mm, finish AlZn, static load-carrying capacity 15 kg/pair | | |
| No. | Cabinet dimensions | | | X _f mm | c mm | PU 2 pieces | | PU 2 pieces enclosed loose | PU 2 pieces enclosed loose | PU 2 pieces enclosed loose | PU 10 pieces | |
| | Height U | Width mm | Depth mm | | | enclosed | loose | | | | enclosed | loose |
| 1 | 20 | 998 | 600 | 600 | 60 | 480 | 22127-094 | 21127-197 | - | 20118-592 | 20118-593 | |
| 2 | 20 | 998 | 600 | 800 | 60 | 680 | 22127-095 | 21127-198 | 28127-001 | 20118-592 | 20118-593 | |
| 3 | 25 | 1220 | 600 | 600 | 60 | 480 | 22127-094 | 21127-197 | - | 20118-592 | 20118-593 | |
| 4 | 25 | 1220 | 600 | 800 | 60 | 680 | 22127-095 | 21127-198 | 28127-001 | 20118-592 | 20118-593 | |
| 5 | 29 | 1398 | 600 | 600 | 60 | 480 | 22127-094 | 21127-197 | - | 20118-592 | 20118-593 | |
| 6 | 29 | 1398 | 600 | 800 | 60 | 680 | 22127-095 | 21127-198 | 28127-001 | 20118-592 | 20118-593 | |
| 7 | 34 | 1620 | 600 | 600 | 60 | 480 | 22127-094 | 21127-197 | - | 20118-592 | 20118-593 | |
| 8 | 34 | 1620 | 600 | 800 | 60 | 680 | 22127-095 | 21127-198 | 28127-001 | 20118-592 | 20118-593 | |
| 9 | 34 | 1620 | 600 | 900 | 60 | 780 | 22127-096 | 21127-199 | 28127-001 | 20118-592 | 20118-593 | |
| 10 | 38 | 1798 | 600 | 600 | 60 | 480 | 22127-094 | 21127-197 | - | 20118-592 | 20118-593 | |
| 11 | 38 | 1798 | 600 | 800 | 60 | 680 | 22127-095 | 21127-198 | 28127-001 | 20118-592 | 20118-593 | |
| 12 | 38 | 1798 | 600 | 900 | 60 | 780 | 22127-096 | 21127-199 | 28127-001 | 20118-592 | 20118-593 | |
| 13 | 38 | 1798 | 800 | 600 | 110 | 380 | 22127-094 | - | - | 20118-592 | 20118-593 | |
| 14 | 38 | 1798 | 800 | 800 | 110 | 580 | 25127-575 | 21127-197 | - | 20118-592 | 20118-593 | |
| 15 | 43 | 2020 | 600 | 600 | 60 | 480 | 22127-094 | 21127-197 | - | 20118-592 | 20118-593 | |
| 16 | 43 | 2020 | 600 | 800 | 60 | 680 | 22127-095 | 21127-198 | 28127-001 | 20118-592 | 20118-593 | |
| 17 | 43 | 2020 | 600 | 900 | 60 | 780 | 22127-096 | 21127-197 | 28127-001 | 20118-592 | 20118-593 | |
| 18 | 43 | 2020 | 800 | 600 | 110 | 380 | 22127-094 | - | - | 20118-592 | 20118-593 | |
| 19 | 43 | 2020 | 800 | 800 | 110 | 580 | 25127-575 | 21127-197 | - | 20118-592 | 20118-593 | |
| 20 | 47 | 2198 | 600 | 600 | 60 | 480 | 22127-094 | 21127-197 | - | 20118-592 | 20118-593 | |
| 21 | 47 | 2198 | 600 | 800 | 60 | 680 | 22127-095 | 21127-198 | 28127-001 | 20118-592 | 20118-593 | |
| 22 | 47 | 2198 | 600 | 900 | 60 | 780 | 22127-096 | 21127-197 | 28127-001 | 20118-592 | 20118-593 | |
| 23 | 47 | 2198 | 800 | 800 | 110 | 580 | 22127-094 | 21127-197 | - | 20118-592 | 20118-593 | |

Cabinets – EurorackUniversal ServicePLUS

EURORACK UNIVERSAL FIXED 19" SHELVES

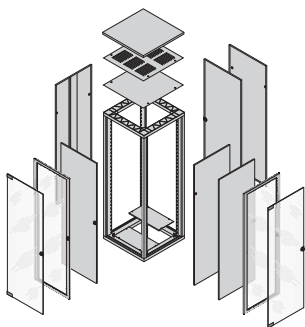
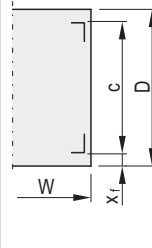
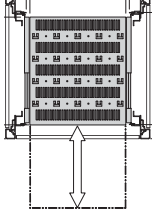
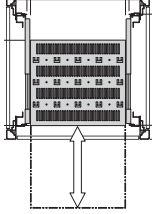
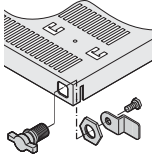
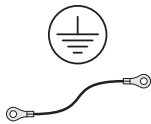
ORDER INFORMATION

| | | Dimensions standard assembly | | Fixed shelf, 1 U, 75 kg | | | | Depth member for 600 mm width | Reduced width depth member for 800 mm width | |
|--|--------------------|---|----------|---|------|---|-------------------|---|---|-----------|
| | | | | Full depth | | Recessed by c - 100 mm | | | | |
|  | |  | |  | |  | |  |  | |
| | | | | <p>00205066</p> <p>00105050</p> <p>00105051</p> | | <p>ERTP0045</p> <p>ertp0044</p> | | | | |
| | | <p>X_f = distance from front c = pitch of 19" plane D = cabinet depth W = cabinet width</p> | | <p>St, 1.5 mm, RAL 7021, with perforation, static load-carrying capacity 75 kg, incl. GND/earthing; panel/slide mounts (2 pairs), please order depth members or reduced width depth members separately see page 1.309</p> | | <p>St, 1.5 mm, AlZn</p> | | <p>St, 2.5 mm, zinc-plated, RAL 7021, 19" plane at least 110 mm from front edge of cabinet; please order panel/slide mounts (2 pairs) separately see page 1.309</p> | | |
| No. | Cabinet dimensions | | | X _f mm | c mm | 1 piece assembled | 1 piece assembled | PU 2 pieces assembled | PU 2 pieces assembled | |
| | Height U | Width mm | Depth mm | | | | | | | |
| 1 | 20 | 998 | 600 | 600 | 60 | 480 | 22117-842 | 22117-845 | 22117-389 | - |
| 2 | 20 | 998 | 600 | 800 | 60 | 680 | 22117-843 | 22117-671 | 22117-390 | - |
| 3 | 25 | 1220 | 600 | 600 | 60 | 480 | 22117-842 | 22117-845 | 22117-389 | - |
| 4 | 25 | 1220 | 600 | 800 | 60 | 680 | 22117-843 | 22117-671 | 22117-390 | - |
| 5 | 29 | 1398 | 600 | 600 | 60 | 480 | 22117-842 | 22117-845 | 22117-389 | - |
| 6 | 29 | 1398 | 600 | 800 | 60 | 680 | 22117-843 | 22117-671 | 22117-390 | - |
| 7 | 34 | 1620 | 600 | 600 | 60 | 480 | 22117-842 | 22117-845 | 22117-389 | - |
| 8 | 34 | 1620 | 600 | 800 | 60 | 680 | 22117-843 | 22117-671 | 22117-390 | - |
| 9 | 34 | 1620 | 600 | 900 | 60 | 780 | 22117-844 | 22117-843 | 22117-391 | - |
| 10 | 38 | 1798 | 600 | 600 | 60 | 480 | 22117-842 | 22117-845 | 22117-389 | - |
| 11 | 38 | 1798 | 600 | 800 | 60 | 680 | 22117-843 | 22117-671 | 22117-390 | - |
| 12 | 38 | 1798 | 600 | 900 | 60 | 780 | 22117-844 | 22117-843 | 22117-391 | - |
| 13 | 38 | 1798 | 800 | 600 | 110 | 380 | 22117-842 | - | - | 22117-839 |
| 14 | 38 | 1798 | 800 | 800 | 110 | 580 | 22117-861 | - | - | 22117-840 |
| 15 | 43 | 2020 | 600 | 600 | 60 | 480 | 22117-842 | 22117-845 | 22117-389 | - |
| 16 | 43 | 2020 | 600 | 800 | 60 | 680 | 22117-843 | 22117-671 | 22117-390 | - |
| 17 | 43 | 2020 | 600 | 900 | 60 | 780 | 22117-844 | 22117-843 | 22117-391 | - |
| 18 | 43 | 2020 | 800 | 600 | 110 | 380 | 22117-842 | - | - | 22117-839 |
| 19 | 43 | 2020 | 800 | 800 | 110 | 580 | 22117-861 | - | - | 22117-840 |
| 20 | 47 | 2198 | 600 | 600 | 60 | 480 | 22117-842 | 22117-845 | 22117-389 | - |
| 21 | 47 | 2198 | 600 | 800 | 60 | 680 | 22117-843 | 22117-671 | 22117-390 | - |
| 22 | 47 | 2198 | 600 | 900 | 60 | 780 | 22117-844 | 22117-843 | 22117-391 | - |
| 23 | 47 | 2198 | 800 | 800 | 110 | 580 | 22117-861 | - | - | 22117-840 |

Cabinets – EurorackUniversal Ser-

EURORACK UNIVERSAL TELESCOPIC 19" SHELVES

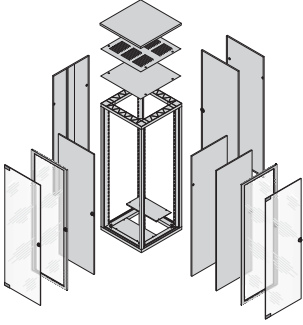
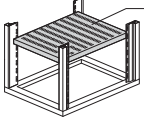
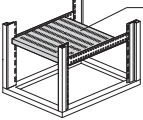
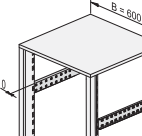
ORDER INFORMATION

| | | | | | Dimensions standard assembly | Shelf, telescopic, 2 U, 70 kg | | T-bar lock | GND/earthing |
|---|--------------------|------|-----|-----|--|---|---|--|---|
| | | | | | | Full depth | Shortened by 100 mm | | |
|  | | | | |  <p>00205066</p> <p>x_f = distance from front c = pitch of 19" plane D = cabinet depth W = cabinet width</p> |  <p>00105069</p> |  <p>00105070</p> |  <p>01004125</p> <p>to lock the telescopic shelf</p> |  <p>05904052</p> <p>for telescopic shelf</p> |
| No. | Cabinet dimensions | | | | | | | | |
| | U | mm | mm | mm | c mm | 1 piece assembled | 1 piece assembled | 1 piece assembled | PU 1 kit assembled |
| 1 | 20 | 998 | 600 | 600 | 450 - 550 | 21130-353 | 21130-352 | 23130-092 | 21120-189 |
| 2 | 20 | 998 | 600 | 800 | 650 - 750 | 21130-355 | 21130-354 | 23130-092 | 21120-189 |
| 3 | 25 | 1220 | 600 | 600 | 450 - 550 | 21130-353 | 21130-352 | 23130-092 | 21120-189 |
| 4 | 25 | 1220 | 600 | 800 | 650 - 750 | 21130-355 | 21130-354 | 23130-092 | 21120-189 |
| 5 | 29 | 1398 | 600 | 600 | 450 - 550 | 21130-353 | 21130-352 | 23130-092 | 21120-189 |
| 6 | 29 | 1398 | 600 | 800 | 650 - 750 | 21130-355 | 21130-354 | 23130-092 | 21120-189 |
| 7 | 34 | 1620 | 600 | 600 | 450 - 550 | 21130-353 | 21130-352 | 23130-092 | 21120-189 |
| 8 | 34 | 1620 | 600 | 800 | 650 - 750 | 21130-355 | 21130-354 | 23130-092 | 21120-189 |
| 9 | 34 | 1620 | 600 | 900 | - | - | - | - | - |
| 10 | 38 | 1798 | 600 | 600 | 450 - 550 | 21130-353 | 21130-352 | 23130-092 | 21120-189 |
| 11 | 38 | 1798 | 600 | 800 | 650 - 750 | 21130-355 | 21130-354 | 23130-092 | 21120-189 |
| 12 | 38 | 1798 | 600 | 900 | - | - | - | - | - |
| 13 | 38 | 1798 | 800 | 600 | - | - | - | - | - |
| 14 | 38 | 1798 | 800 | 800 | - | - | - | - | - |
| 15 | 43 | 2020 | 600 | 600 | 450 - 550 | 21130-353 | 21130-352 | 23130-092 | 21120-189 |
| 16 | 43 | 2020 | 600 | 800 | 650 - 750 | 21130-355 | 21130-354 | 23130-092 | 21120-189 |
| 17 | 43 | 2020 | 600 | 900 | - | - | - | - | - |
| 18 | 43 | 2020 | 800 | 600 | - | - | - | - | - |
| 19 | 43 | 2020 | 800 | 800 | - | - | - | - | - |
| 20 | 47 | 2198 | 600 | 600 | 450 - 550 | 21130-353 | 21130-352 | 23130-092 | 21120-189 |
| 21 | 47 | 2198 | 600 | 800 | 450 - 550 | 21130-355 | 21130-354 | 23130-092 | 21120-189 |
| 22 | 47 | 2198 | 600 | 900 | - | - | - | - | - |
| 23 | 47 | 2198 | 800 | 800 | - | - | - | - | - |

Cabinets – EurorackUniversal ServicePLUS

EURORACK UNIVERSAL FIXED SHELVES ON UNIVERSAL CABINET UPRIGHTS

ORDER INFORMATION

| | | | | | Fixed shelf | | |
|--|----|-----------|----------|----------|--|--|---|
| | | | | | Full depth | Shortened by 100 mm | Depth member |
|  | | | | |  00106053 St 1.5 mm, RAL 7021, load-carrying capacity 75 kg, incl. GND/earthing |  00106054 St 1.5 mm, RAL 7021, load-carrying capacity 75 kg, incl. GND/earthing, depth member required, please order separately |  ERTP0045 St, 1.5 mm, AlZn |
| Cabinet dimensions | | | | | 1 piece assembled | 1 piece assembled | PU 2 pieces assembled |
| No. | U | Height mm | Width mm | Depth mm | | | |
| 1 | 20 | 998 | 600 | 600 | 22117-846 | 22117-851 | 22117-389 |
| 2 | 20 | 998 | 600 | 800 | 22117-847 | 22117-852 | 22117-390 |
| 3 | 25 | 1220 | 600 | 600 | 22117-846 | 22117-851 | 22117-389 |
| 4 | 25 | 1220 | 600 | 800 | 22117-847 | 22117-852 | 22117-390 |
| 5 | 29 | 1398 | 600 | 600 | 22117-846 | 22117-851 | 22117-389 |
| 6 | 29 | 1398 | 600 | 800 | 22117-847 | 22117-852 | 22117-390 |
| 7 | 34 | 1620 | 600 | 600 | 22117-846 | 22117-851 | 22117-389 |
| 8 | 34 | 1620 | 600 | 800 | 22117-847 | 22117-852 | 22117-390 |
| 9 | 34 | 1620 | 600 | 900 | 22117-848 | 22117-847 | 22117-391 |
| 10 | 38 | 1798 | 600 | 600 | 22117-846 | 22117-851 | 22117-389 |
| 11 | 38 | 1798 | 600 | 800 | 22117-847 | 22117-852 | 22117-390 |
| 12 | 38 | 1798 | 600 | 900 | 22117-848 | 22117-847 | 22117-391 |
| 13 | 38 | 1798 | 800 | 600 | 22117-849 | 22117-853 | 22117-389 |
| 14 | 38 | 1798 | 800 | 800 | 22117-850 | 22117-854 | 22117-390 |
| 15 | 43 | 2020 | 600 | 600 | 22117-846 | 22117-851 | 22117-389 |
| 16 | 43 | 2020 | 600 | 800 | 22117-847 | 22117-852 | 22117-390 |
| 17 | 43 | 2020 | 600 | 900 | 22117-848 | 22117-847 | 22117-391 |
| 18 | 43 | 2020 | 800 | 600 | 22117-849 | 22117-853 | 22117-389 |
| 19 | 43 | 2020 | 800 | 800 | 22117-850 | 22117-854 | 22117-390 |
| 20 | 47 | 2198 | 600 | 600 | 22117-846 | 22117-851 | 22117-389 |
| 21 | 47 | 2198 | 600 | 800 | 22117-847 | 22117-852 | 22117-390 |
| 22 | 47 | 2198 | 600 | 900 | 22117-848 | 22117-847 | 22117-391 |
| 23 | 47 | 2198 | 800 | 800 | 22117-850 | 22117-854 | 22117-390 |

Cabinets – EurorackUniversal Ser-

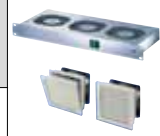
EURORACK UNIVERSAL TELESCOPIC SHELVES ON UNIVERSAL CABINET UPRIGHTS

ORDER INFORMATION

| | | | | | Telescopic shelf, Universal eurorack | | | | | General components |
|-----|--------------------|------|-----|-----|--|--|---------------------------------|--|--------------------------------------|--|
| | | | | | Full depth | Shortened by 100 mm | Telescopic slides | T-bar lock | GND/earthing | |
| | | | | | 00105072 St, 1.5 mm, RAL 7021, please order telescopic slides and T-bar lock separately | 00105073 St, 1.5 mm, RAL 7021, please order telescopic slides and T-bar lock separately | ERA46351 St, zinc-plated | 01004125 to lock the telescopic shelf | aza43284 for telescopic shelf | Mechanics from page 4.0 |
| No. | Cabinet dimensions | | | | 1 piece assembled | 1 piece assembled | PU 2 pieces assembled | 1 piece assembled | PU 1 kit assembled | Electrics from page 3.29 |
| | U | mm | mm | mm | | | | | | |
| 1 | 20 | 998 | 600 | 600 | 22117-855 | 22117-860 | 22114-340 | 21101-132 | 21101-178 | |
| 2 | 20 | 998 | 600 | 800 | 22117-856 | 22117-861 | 22114-342 | 21101-132 | 21101-178 | |
| 3 | 25 | 1220 | 600 | 600 | 22117-855 | 22117-860 | 22114-340 | 21101-132 | 21101-178 | |
| 4 | 25 | 1220 | 600 | 800 | 22117-856 | 22117-861 | 22114-342 | 21101-132 | 21101-178 | |
| 5 | 29 | 1398 | 600 | 600 | 22117-855 | 22117-860 | 22114-340 | 21101-132 | 21101-178 | |
| 6 | 29 | 1398 | 600 | 800 | 22117-856 | 22117-861 | 22114-342 | 21101-132 | 21101-178 | |
| 7 | 34 | 1620 | 600 | 600 | 22117-855 | 22117-860 | 22114-340 | 21101-132 | 21101-178 | |
| 8 | 34 | 1620 | 600 | 800 | 22117-856 | 22117-861 | 22114-342 | 21101-132 | 21101-178 | |
| 9 | 34 | 1620 | 600 | 900 | - | - | - | - | - | |
| 10 | 38 | 1798 | 600 | 600 | 22117-855 | 22117-860 | 22114-340 | 21101-132 | 21101-178 | |
| 11 | 38 | 1798 | 600 | 800 | 22117-856 | 22117-861 | 22114-342 | 21101-132 | 21101-178 | |
| 12 | 38 | 1798 | 600 | 900 | - | - | - | - | - | |
| 13 | 38 | 1798 | 800 | 600 | 22117-858 | 22117-862 | 22114-340 | 21101-132 | 21101-178 | |
| 14 | 38 | 1798 | 800 | 800 | 22117-859 | 22117-863 | 22114-342 | 21101-132 | 21101-178 | |
| 15 | 43 | 2020 | 600 | 600 | 22117-855 | 22117-860 | 22114-340 | 21101-132 | 21101-178 | |
| 16 | 43 | 2020 | 600 | 800 | 22117-856 | 22117-861 | 22114-342 | 21101-132 | 21101-178 | |
| 17 | 43 | 2020 | 600 | 900 | - | - | - | - | - | |
| 18 | 43 | 2020 | 800 | 600 | 22117-858 | 22117-862 | 22114-340 | 21101-132 | 21101-178 | |
| 19 | 43 | 2020 | 800 | 800 | 22117-859 | 22117-863 | 22114-342 | 21101-132 | 21101-178 | |
| 20 | 47 | 2198 | 600 | 600 | 22117-855 | 22117-860 | 22114-340 | 21101-132 | 21101-178 | |
| 21 | 47 | 2198 | 600 | 800 | 22117-856 | 22117-861 | 22114-342 | 21101-132 | 21101-178 | |
| 22 | 47 | 2198 | 600 | 900 | - | - | - | - | - | |
| 23 | 47 | 2198 | 800 | 800 | 22117-859 | 22117-863 | 22114-342 | 21101-132 | 21101-178 | |

Power distribution


from page 3.50

Climate control


from page 4.0

North America

Warwick, RI, USA

Tel +1.401.738.1722

San Diego, CA, USA

Tel +1.858.740.2400

Europe, Middle East & India

Straubenhardt, Germany

Tel +49 7082 794 0

Betschdorf, France

Tel +33 3 88 90 64 90

Warsaw, Poland

Tel +48 22 209 98 35

Hemel Hempstead,

Great Britain

Tel +44 1442 24 04 71

Lainate, Italy

Tel +39 02 932 714 1

Dubai, United Arab Emirates

Tel +971 4 82 38 666

Bangalore, India

Tel +91 80 6715 8900

Istanbul, Turkey

Tel +90 541 368 0941

Asia Pacific

Shanghai, China

Tel +86 21 2412 6943

Singapore

Tel +65 6768 5800

Shin-Yokohama, Japan

Tel +81 45 476 0271

Our powerful portfolio of brands:

CADDY ERICO HOFFMAN RAYCHEM SCHROFF TRACER



[nVent.com/SCHROFF](https://www.nvent.com/SCHROFF)