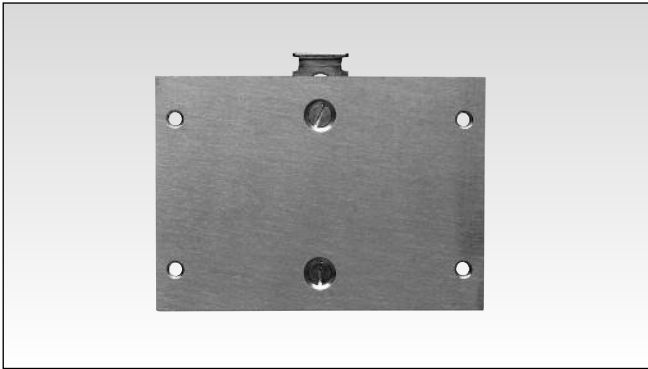
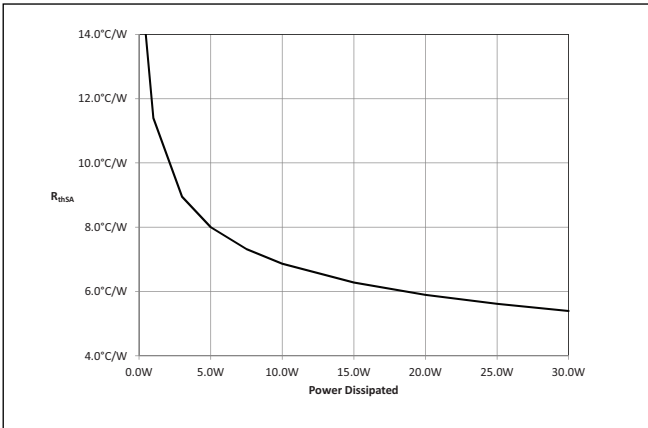


Solid State Relays Accessories, Heatsinks Type RHS300



- 5.40 °C/W thermal resistance
- Suitable for mounting of 3-phase SSRs
- DIN rail mounting
- Dimensions W x H x D: 105 x 82 x 20 mm
- RoHS compliant

Thermal Resistance Curve



Ordering Key

RHS300

Product Description

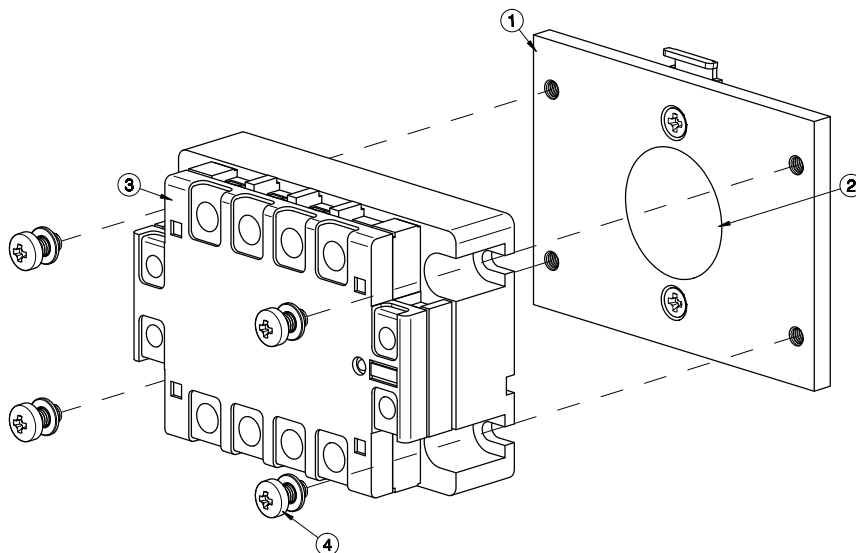
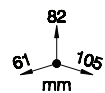
Heatsink assembly suitable for mounting of 1x 3-phase solid state relay (SSR).

Suffix H1 added to SSR part no. refers to factory mounted heatsink. Conditions apply. Please ask your Sales representative for further details.

Heatsink Assembly

Components for assembly		Qty	RHS300
1	RHS300 Heatsink Assembly	1	Provided
2	Thermal Compound HTS02S	1	Provided
3	3-phase SSR 104 x 74mm	1	Not Provided
4	M5x10mm PZ2 + Washer	4	Provided

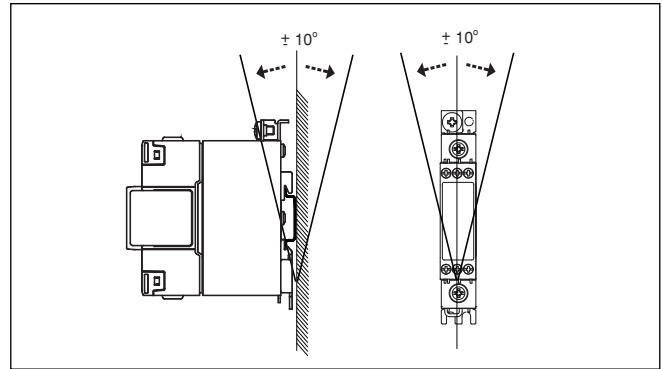
Dimensions including the SSR



General Specifications

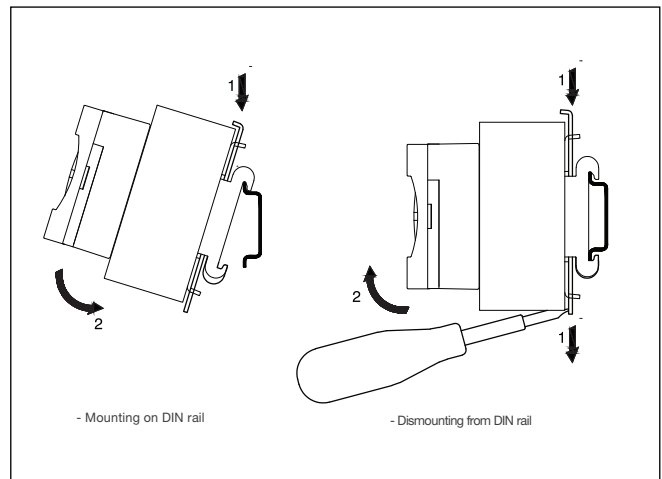
SSR max. mounting torque	1.5Nm (13.3 lb-in)
Weight (excl. SSR)	approx. 205g
Material	Aluminium
Finish	Silver anodization
Fan mounting	Not possible

Mounting Position



Illustrations are for example only

Installation



Recommended Maximum Current Rating (per SSR)

Notes:

- The below recommendations are only valid when the assembly (SSR + heatsink) is mounted as shown in the mounting instructions unless otherwise indicated.
- The indicated ratings are applicable to one SSR, one pole. Please refer to the online selector tool at www.productselection.net for different load currents, surrounding temperatures or multiple units on one heatsink.
- These recommendations are applicable only with the indicated Carlo Gavazzi thermal interface material between SSR and heatsink. In case a different thermal interface is utilised these recommendation may no longer be valid.

Thermal interface = Thermal compound, **HTS02S**

Thermal interface = Thermal pad, **RZHT**

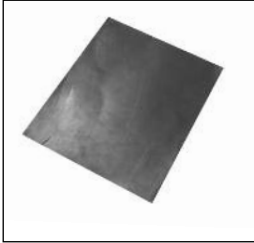
Ratings per pole

1x 3-phase SSR	Surrounding temperature							
	°C	20	30	40	50	60	70	80
	°F	68	86	104	122	140	158	176
RZ3..	25	8.5	8	6.5	5	3.5	2.5	1
	55	10	9.5	8.0	6.5	4.5	3	2
	75	12	11.5	9.5	8	6	4.5	3

1x 3-phase SSR	Surrounding temperature							
	°C	20	30	40	50	60	70	80
	°F	68	86	104	122	140	158	176
RZ3..	25	9	8	6.5	5	4	2.5	1
	55	10.5	9.5	8	6.5	5	3.5	2
	75	12.5	11.5	9.5	8	6	4.5	3

Accessories

Thermal Pads



- Ordering key: **RZHT**
- Packing qty. 10 pcs.
- Suitable for 3-phase SSRs
- Dimensions: 70 x 77mm

Thermal Compound



- Ordering key: **HTS02S**
- 2ml syringe of silicone based thermal compound

DIN Rail Adaptor



- Ordering key: **RHS00**

Screw Kits



- Ordering key: **SRWKITM5X10MM**
- M5x10mm PZ2 screws
+ washers
- Packing qty. 20pcs.