

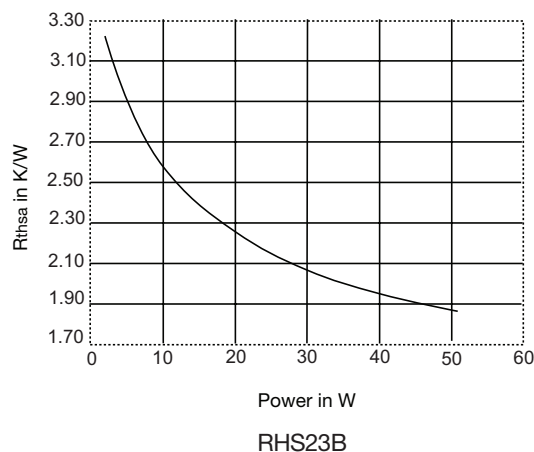
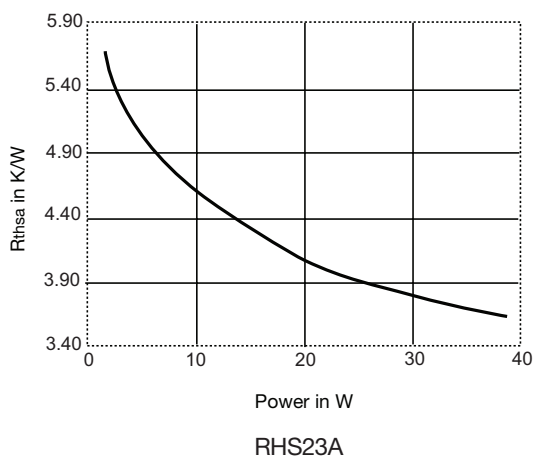
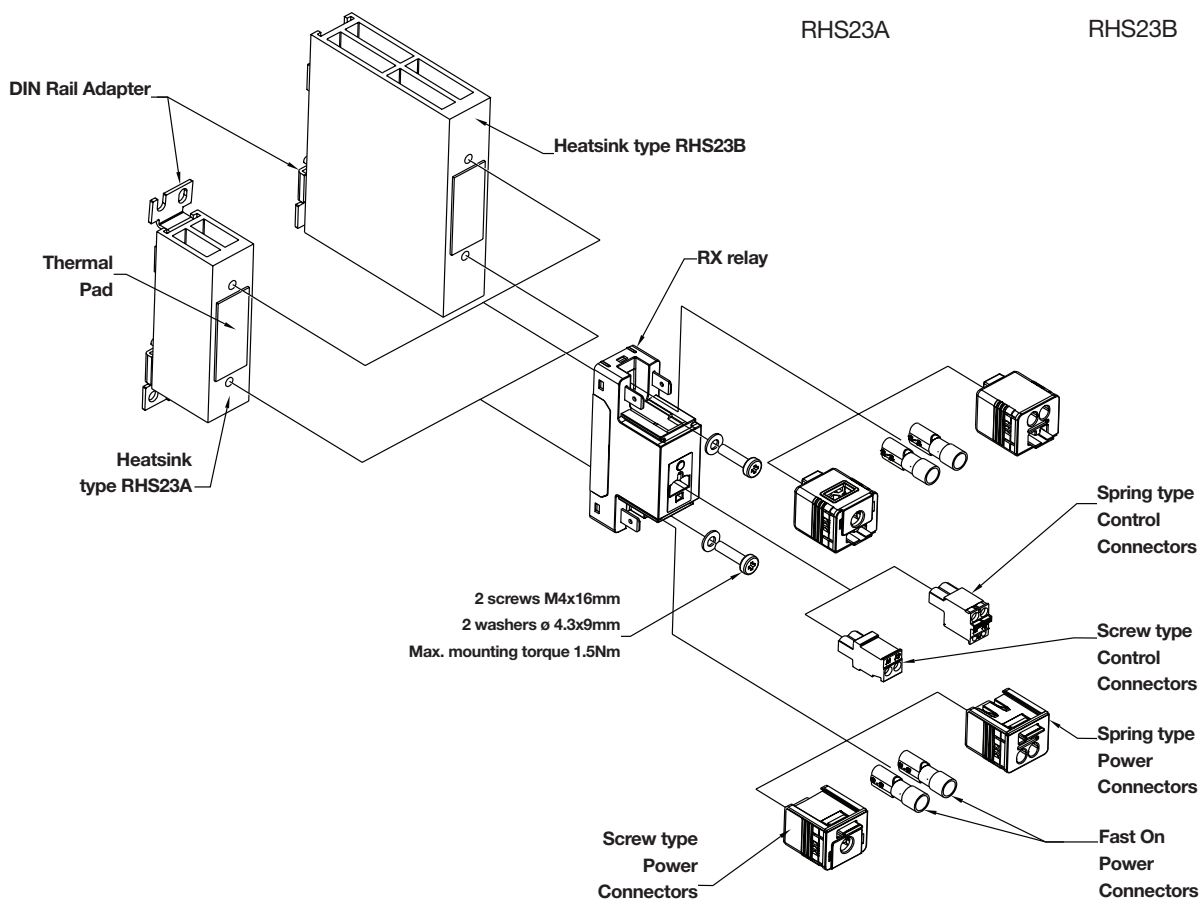
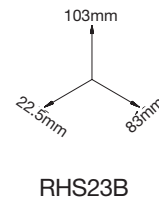
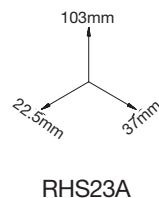
# Solid State Relays Accessories Type RHS... Heatsink Assemblies



## RHS23A and RHS23B

Heatsink assembly with DIN-rail adapter for RX type SSR.  
Type RHS23A and RHS23B are a complete kit not including the SSR.

Dimensions not including the SSR



## Heatsink Assemblies (cont.)

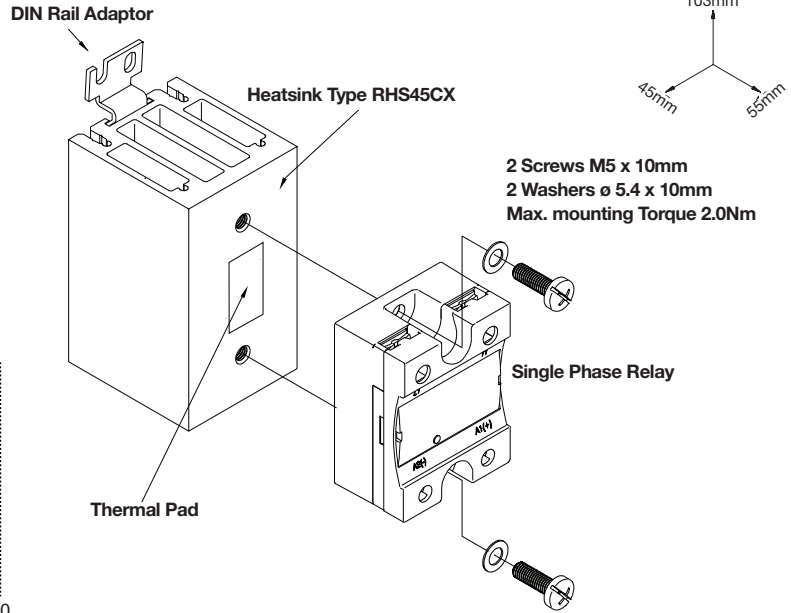
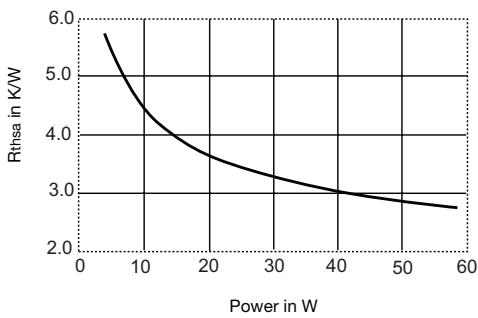
### RHS45C

Heatsink assembly with DIN-rail adaptor for 1-phase SSRs. Type RHS45C is a complete heatsink kit not including the SSR. A 40x40 mm fan may be mounted onto the heatsink.

### RHS45CD

RHS45C assembly without BBR cover and without heatsink compound.

Dimensions not including the SSR



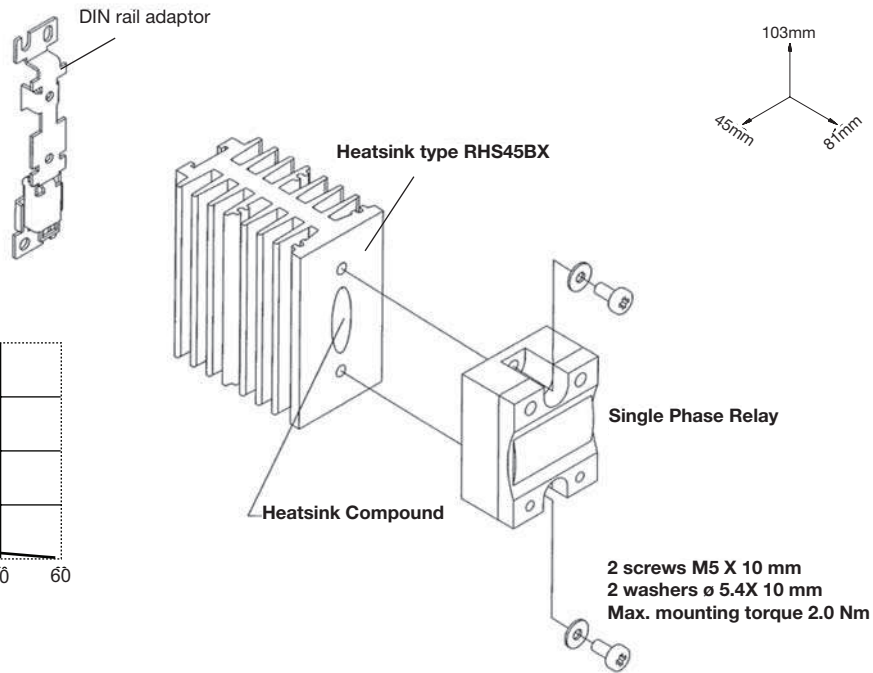
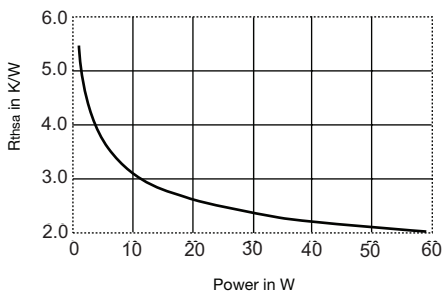
### RHS45B

Heatsink assembly with DIN-rail adaptor for 1-phase SSRs. Type RHS45B is a complete heatsink kit not including the SSR. A 40x40 mm fan may be mounted onto the heatsink.

### RHS45BD

RHS45B assembly without BBR cover and without heatsink compound.

Dimensions not including the SSR

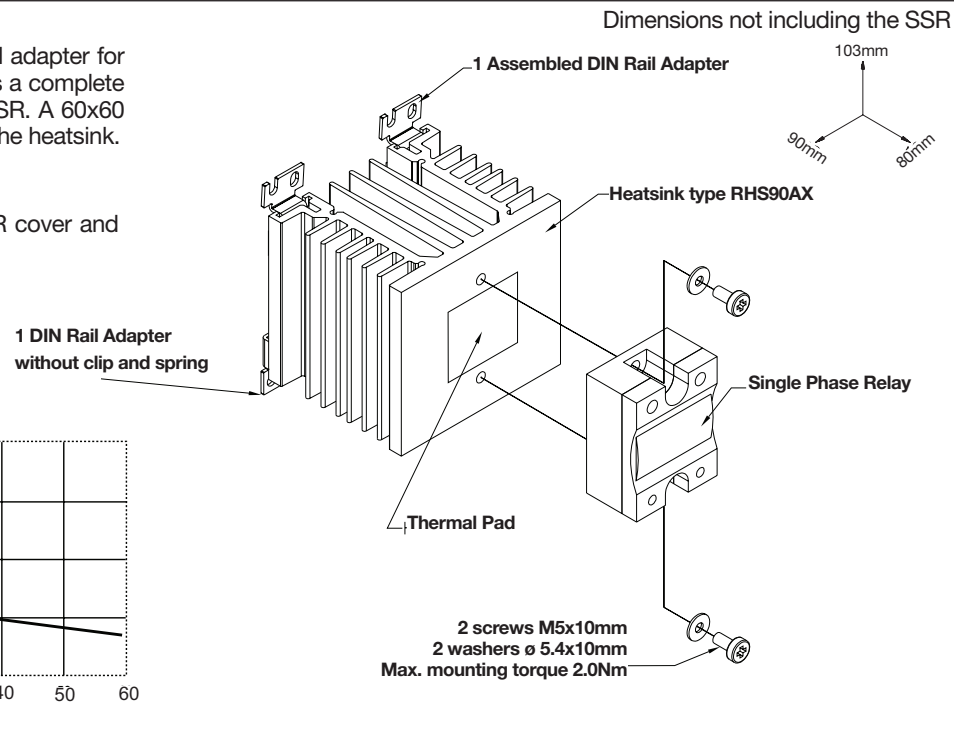


## Heatsink Assemblies (cont.)

**RHS90A**  
 Heatsink assembly with DIN-rail adapter for 1-phase SSRs. Type RHS90A is a complete heatsink kit not including the SSR. A 60x60 mm fan may be mounted onto the heatsink.

**RHS90AD**  
 RHS90A assembly without BBR cover and without heatsink compound.

Dimensions not including the SSR



1 Assembled DIN Rail Adapter

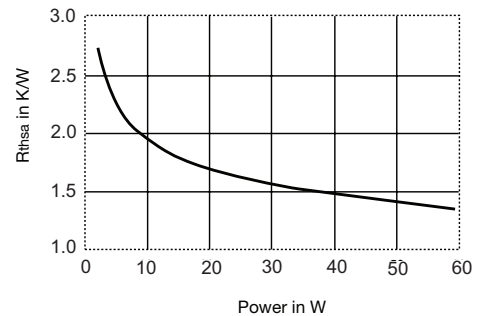
Heatsink type RHS90AX

Single Phase Relay

Thermal Pad

2 screws M5x10mm  
 2 washers ø 5.4x10mm  
 Max. mounting torque 2.0Nm

103mm  
 90mm  
 80mm

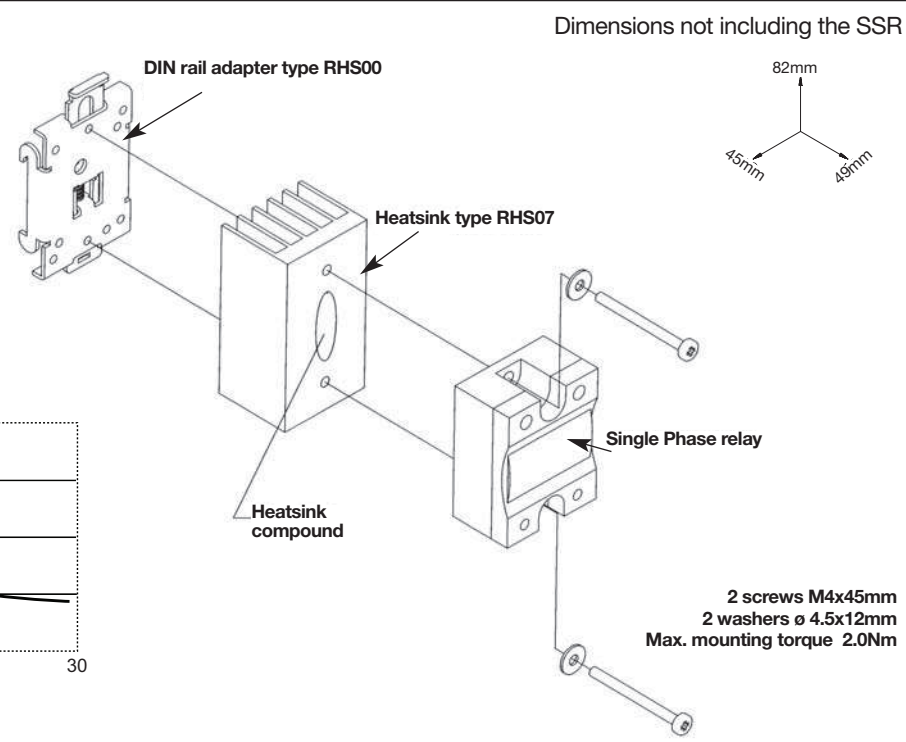


R<sub>thsa</sub> in K/W

Power in W

**RHS100**  
 Heatsink assembly with DIN-rail adapter for 1-phase SSRs. Type RHS100 is a complete heatsink kit not including the SSR.

Dimensions not including the SSR



DIN rail adapter type RHS00

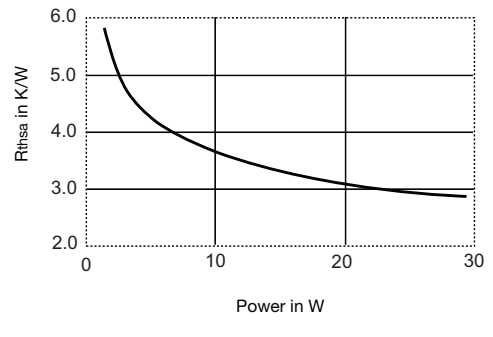
Heatsink type RHS07

Single Phase relay

Heatsink compound

2 screws M4x45mm  
 2 washers ø 4.5x12mm  
 Max. mounting torque 2.0Nm

82mm  
 45mm  
 49mm



R<sub>thsa</sub> in K/W

Power in W



# Heatsink Assemblies (cont.)

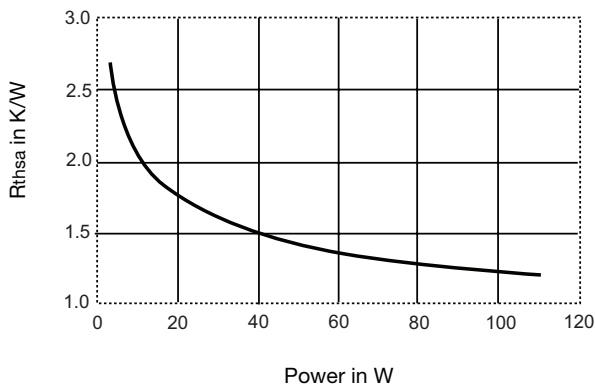
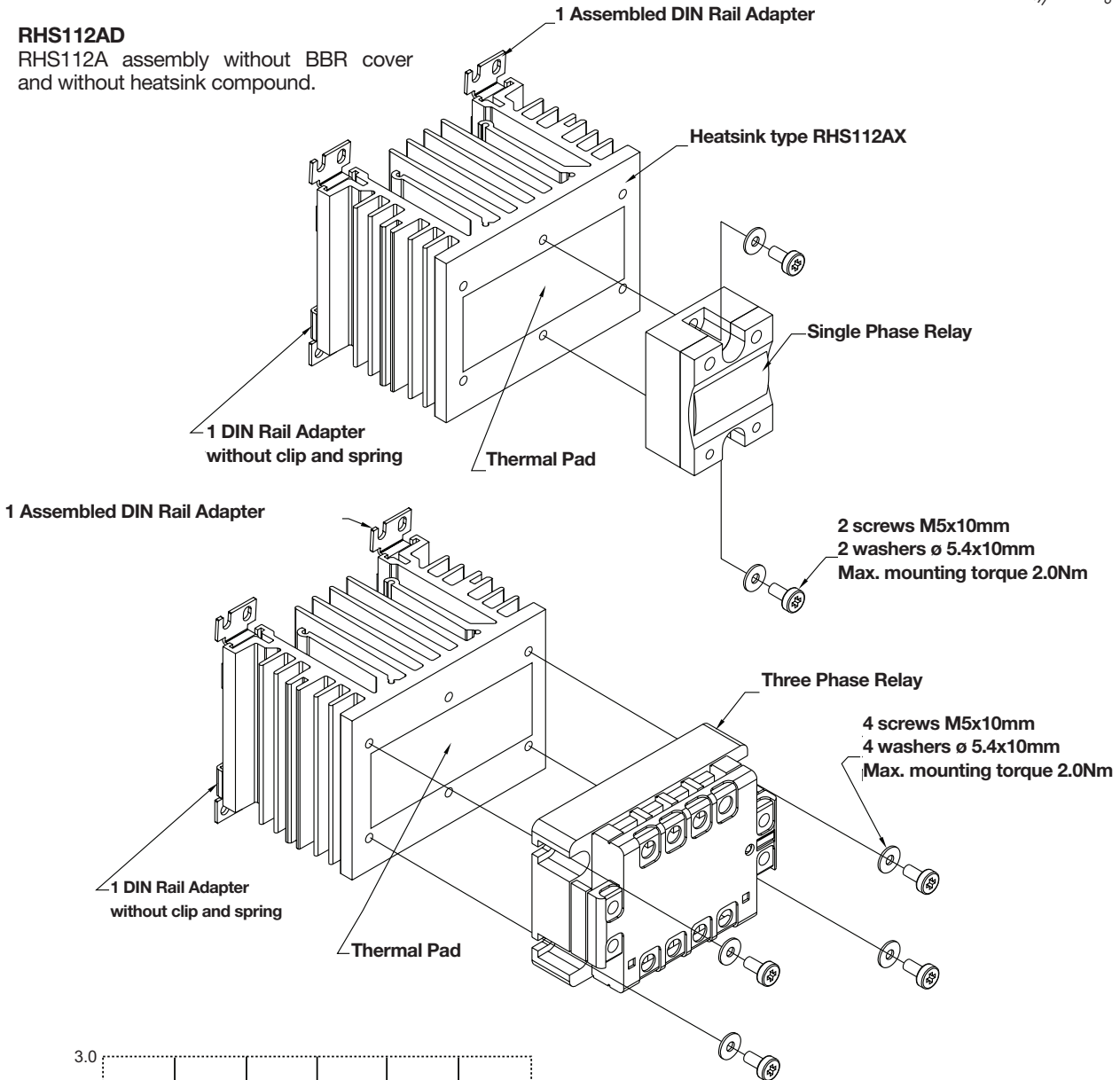
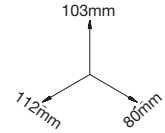
## RHS112A

Heatsink assembly with DIN-rail adapter for 1-phase and 3-phase SSRs. Type RHS112A is a complete heatsink kit not including the SSR. A 60x60 mm fan may be mounted onto the heatsink.

## RHS112AD

RHS112A assembly without BBR cover and without heatsink compound.

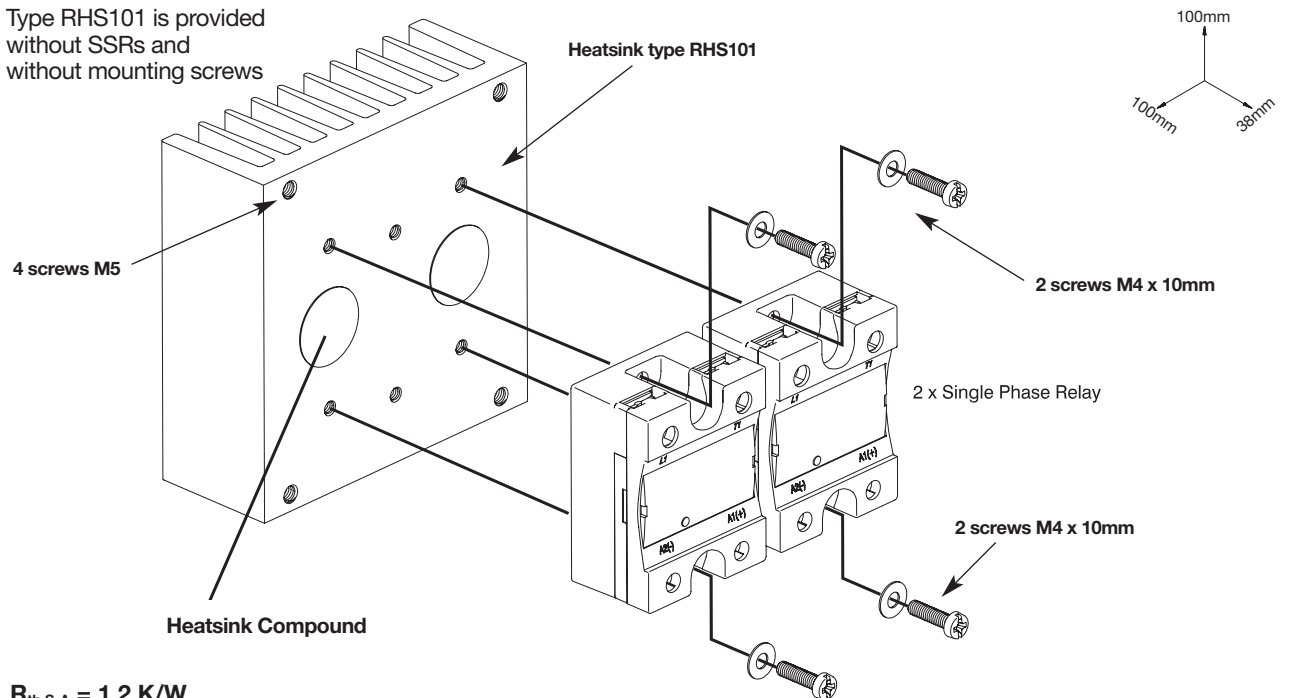
Dimensions not including the SSR



## Heatsink Assemblies (cont.)

**RHS101**  
 Type RHS101 is provided without SSRs and without mounting screws

Dimensions not including the SSR



Heatsink type RHS101

4 screws M5

Heatsink Compound

2 screws M4 x 10mm

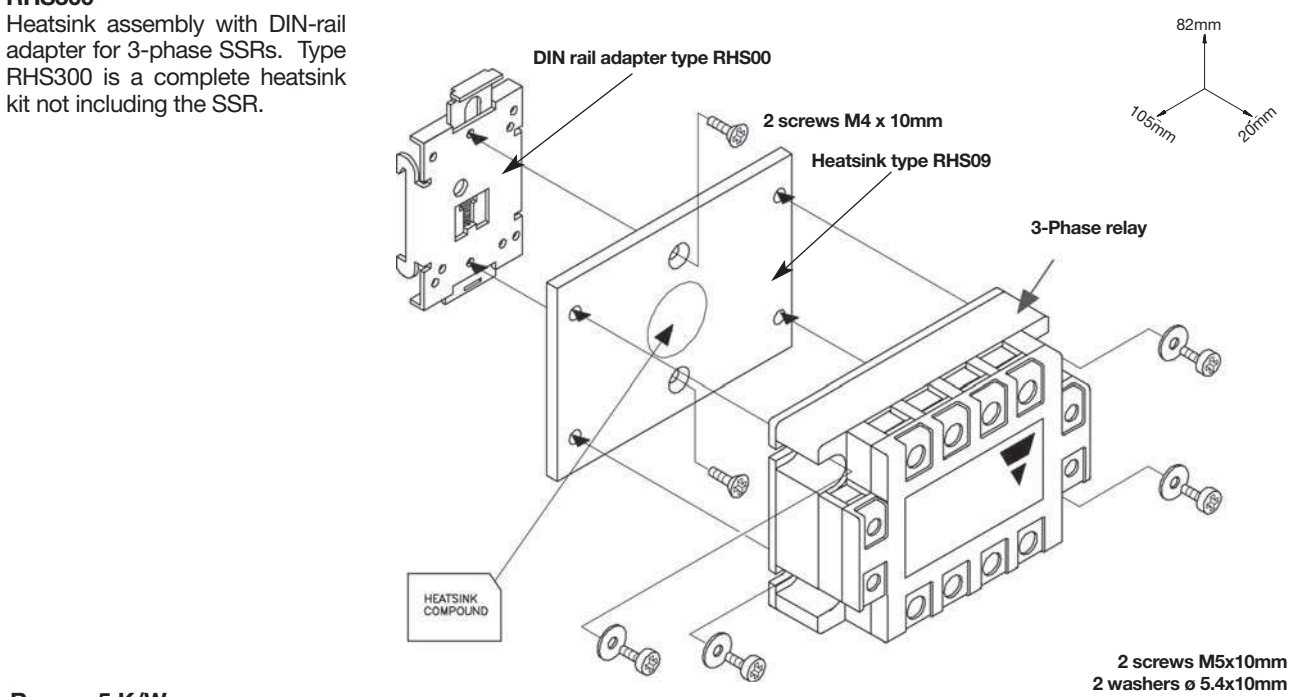
2 x Single Phase Relay

2 screws M4 x 10mm

$R_{th\ S-A} = 1.2\ K/W$

**RHS300**  
 Heatsink assembly with DIN-rail adapter for 3-phase SSRs. Type RHS300 is a complete heatsink kit not including the SSR.

Dimensions not including the SSR



DIN rail adapter type RHS00

2 screws M4 x 10mm

Heatsink type RHS09

3-Phase relay

HEATSINK COMPOUND

2 screws M5x10mm  
 2 washers ø 5.4x10mm  
 Max. mounting torque 2.0Nm

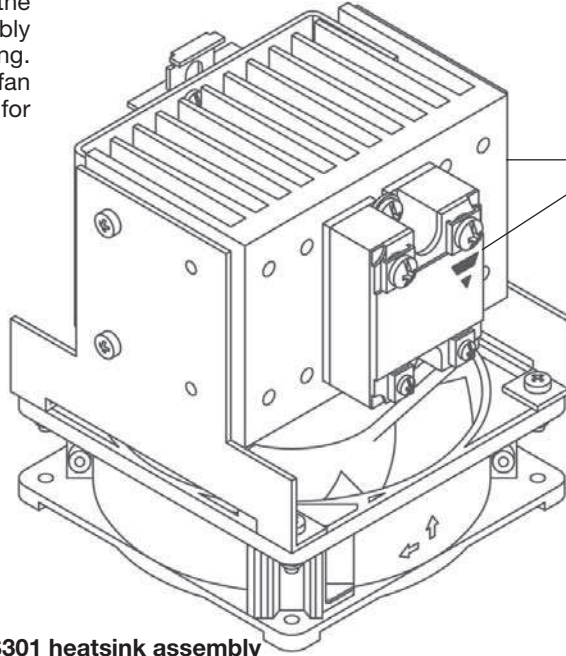
$R_{th\ S-A} = 5\ K/W$



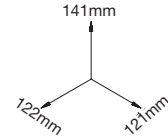
## Heatsink Assemblies (cont.)

### Fan Kit RHS301F115, RHS301F230

Not including the SSR and the RHS301 heatsink assembly shown on the drawing. RHS301F115 for 115 VAC fan supply and RHS301F230 for 230 VAC fan supply.



Dimensions not including the SSR



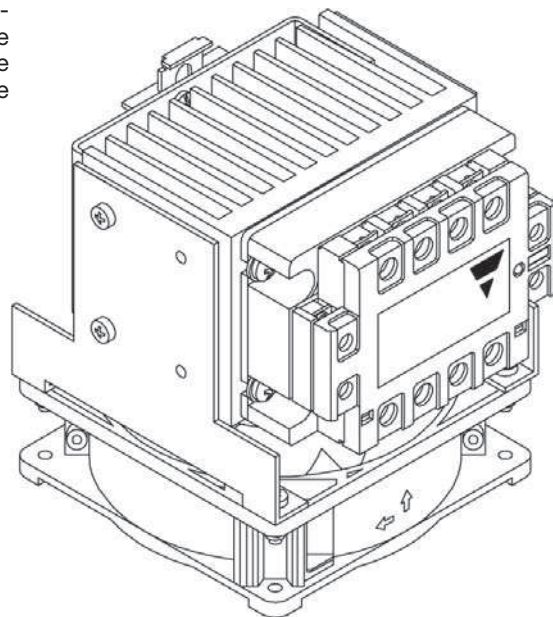
Not included

Note:  
High-quality fan with full metal bearings.

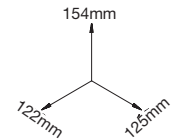
$R_{th\ S-A} = 0.25\ K/W$ ,  
when attached to the RHS301 heatsink assembly

### RHS301F115/230C (115/230 VAC fan supply)

Heatsink assembly with DIN-rail adapter for 1-phase or 3-phase SSRs. Type RHS301F...C is a complete heatsink kit not including the SSR.



Dimensions not including the SSR



Not included

Note:  
High-quality fan with full metal bearings.

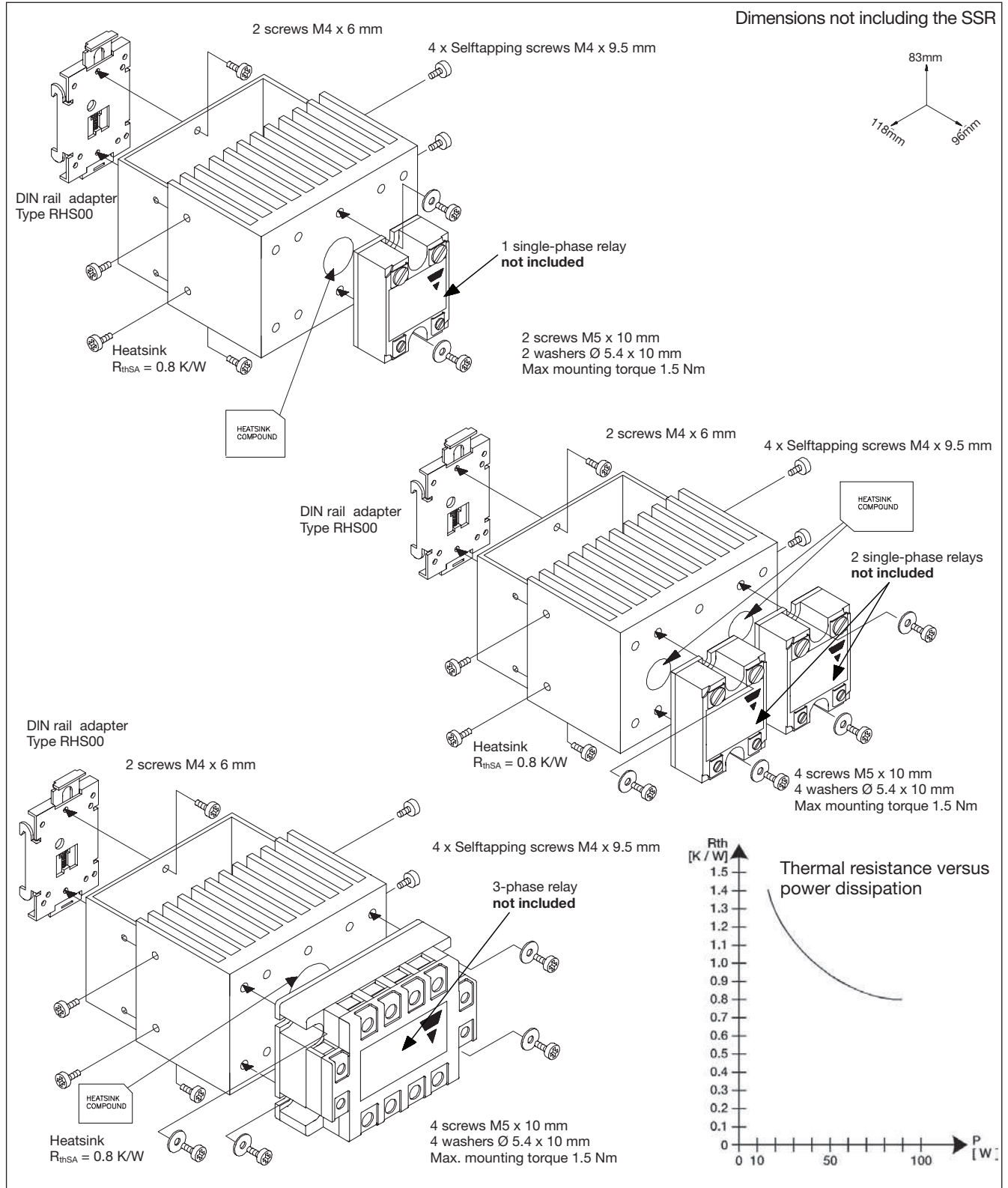
$R_{th\ S-A} = 0.25\ K/W$ .



## Heatsink Assemblies (cont.)

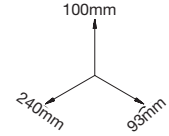
### Type RHS301

Heatsink assembly for 1-phase and 3-phase SSRs. Type **RHS301D** is an RHS301 assembly without the heatsink compound.



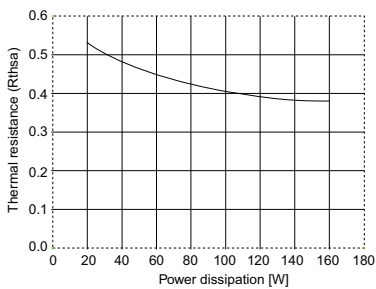
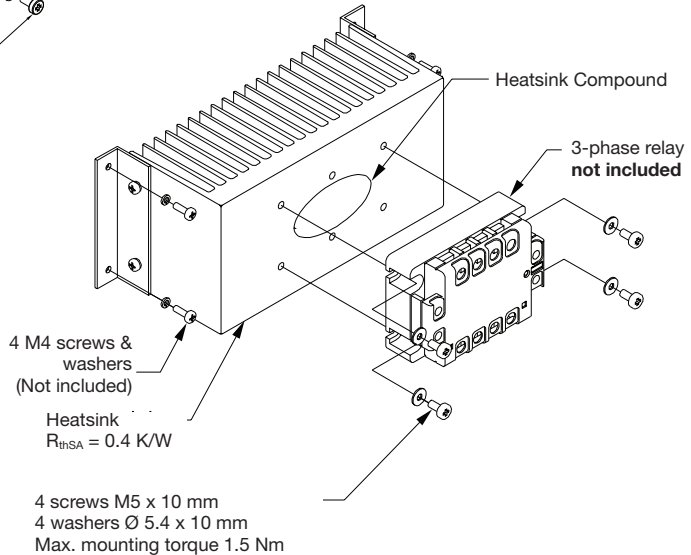
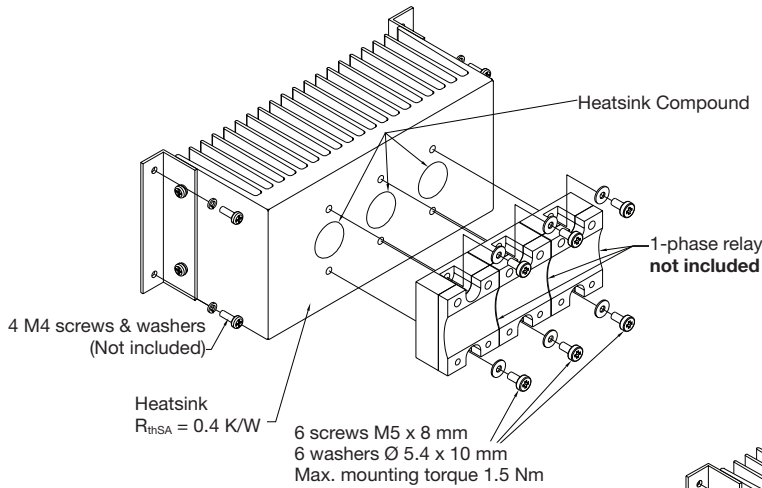
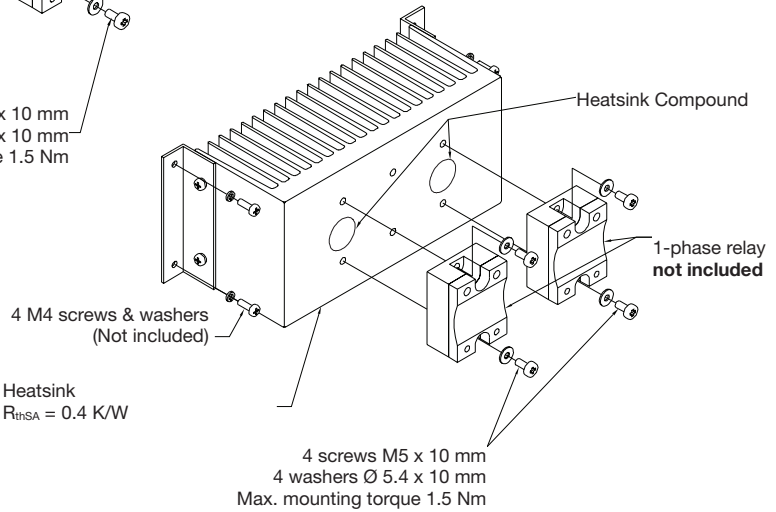
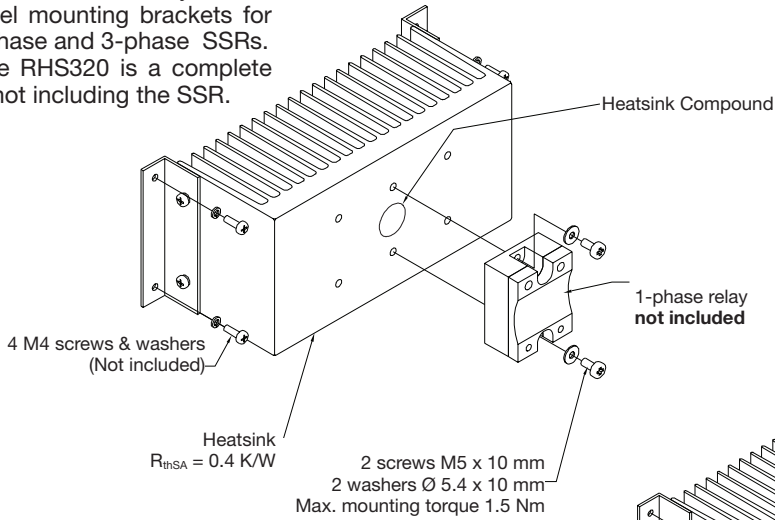
# Heatsink Assemblies (cont.)

Dimensions not including the SSR



## RHS320

Heatsink assembly with panel mounting brackets for 1-phase and 3-phase SSRs. Type RHS320 is a complete kit not including the SSR.



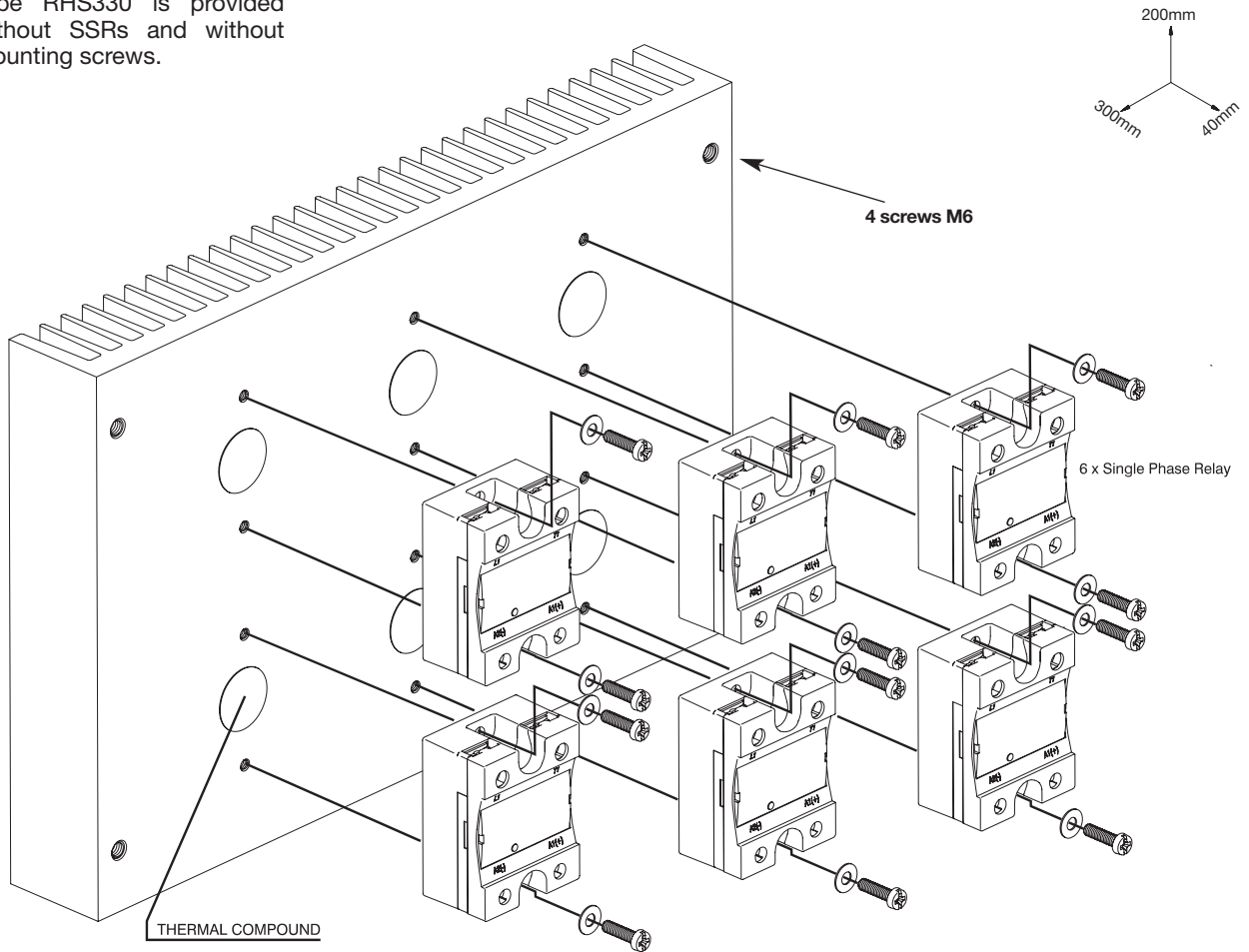


## Heatsink Assemblies (cont.)

### RHS330

Type RHS330 is provided without SSRs and without mounting screws.

Dimensions not including the SSR



$R_{th\ S-A} = 0.3\ K/W$