

Accessories

AC Current Transformer (max 23mm ϕ cable)

Type CTD-1X

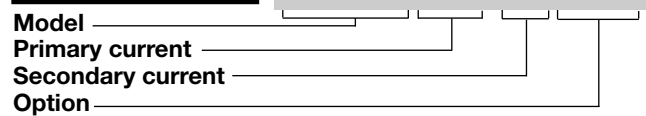


- Cable and bus-bar type current transformer
- 0.5 class, currents from 50 to 300 A
- Removable DIN-rail mounting holder
- Removable panel fixing clips
- 2 cable/bus-bar isolated fixing screws
- Double screw terminals (up to 8-wire connections)
- Sealable terminal block covers

Product Description

Cable/Bus-bar type current transformer with DIN-rail/bus-bar and panel mounting facility. Rated primary currents from 50 A to 300 A.

Ordering Key **CTD-1X 100 5A XXX**



Optional fixing kit: **CTD-kit**

Type Selection

| Primary current | Secondary current | Option |
|---|-------------------|-----------------------------------|
| From 50 to 300A (Refer to Range Table) | 1A 5A | XXX: none XTX: tropicalization |

Input Specifications

| | |
|---------------------------|---|
| Operating frequency | 48 to 62 Hz |
| Max. system voltage | 0.72 kV |
| Rated insulation level | 3 kV/1 min. @ 50 Hz |
| Insulation class | E (max 75°C) |
| Short-time current rating | Typical 100 I _n / 1 s 2.5 I _{th} The short-time thermal current I _{th} is anyway limited by the cable/bus-bar size |
| Extended current rating | 120% |
| Security factor (FS) | ≤ 5 (Class: 0.5, 1 and 3) |

| | |
|---------------------|--|
| Special features | Two panel mounting fixing clips. 1 A secondary current, Tropicalization |
| Working temperature | -25°C to +60°C (-13°F to 140°F) (R.H. < 90% non condensing @ 40°C) |
| Storage temperature | -30°C to +70°C (-22°F to 158°F) (R.H. < 90% non condensing @ 40°C) |
| Approvals | CE, cUrus and CSA |
| Connection | Screw type Cable cross section area |
| Protection degree | IP00 IP20 (with sealable terminal block covers + wire terminals) |
| Cable diameter | Max. 23 mm |
| Bus-bar size | Max. 20x5 mm |
| Weight | From 150 to 200 g |

General Specifications

| | |
|----------------------|--|
| Standards | According to EN60044-1 |
| Housing | ABS, self-extinguishing: UL 94 V-0 |
| Mounting | DIN-rail bus-bar and panel mounting |
| Standard accessories | Two terminal block screws. Two sealable terminal block covers. Two panel mounting fixing clips. One DIN rail adapter. |
| Optional accessories | Extended fixing kit CTD-kit: Six cable/bus-bar fixing screws. Six plastic caps for cable/bus-bar fixing screws. |

Output Specifications

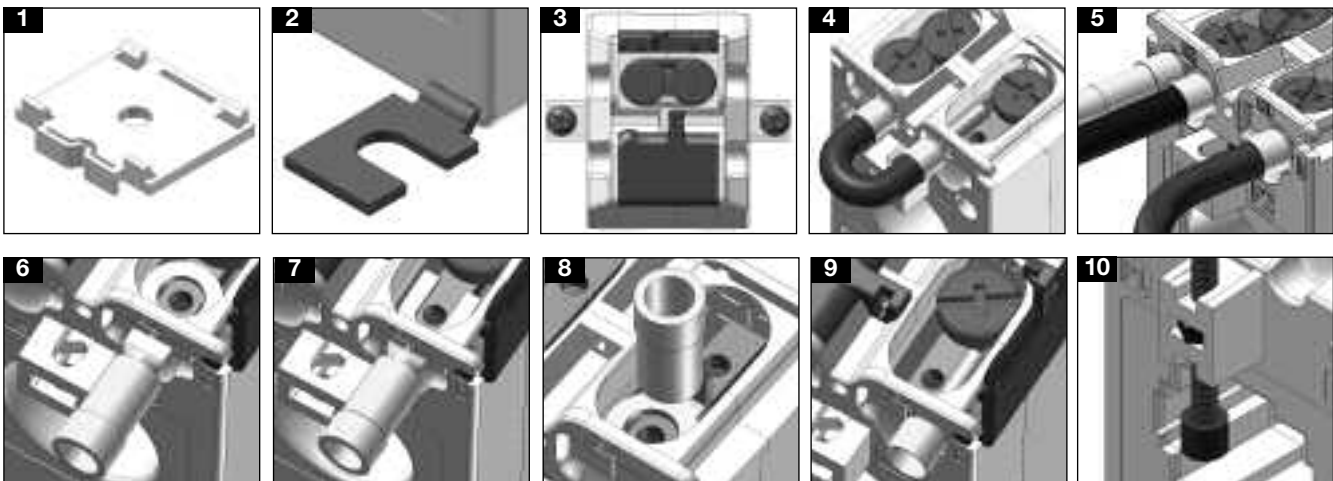
| | |
|-------------------------|------------|
| Rated secondary current | 5 A or 1 A |
|-------------------------|------------|

Range Table

| Model CTD-1X from 50A to 100A | | | |
|-------------------------------|-------------|------|------|
| Primary Current | Burden (VA) | | |
| | CL 0.5 | CL 1 | CL 3 |
| 50 (@60°C/140°F) | | 1 | 1.25 |
| 60 (@60°C/140°F) | | 1 | 1.25 |
| 70 (@60°C/140°F) | | 1.5 | 1.75 |
| 75 (@60°C/140°F) | 1 | 1.25 | 1.75 |
| 80 (@60°C/140°F) | 1.25 | 1.5 | 2 |
| 100 (@60°C/140°F) | 1.5 | 1.75 | 2.25 |

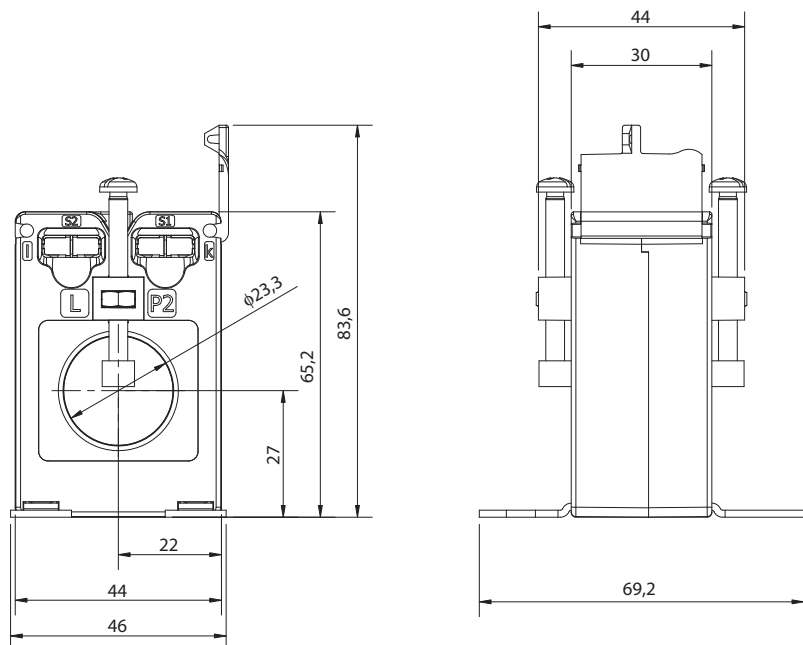
| Model CTD-1X from 120A to 300A | | | |
|--------------------------------|-------------|------|------|
| Primary Current | Burden (VA) | | |
| | CL 0.5 | CL 1 | CL 3 |
| 120 (@60°C/140°F) | 1.75 | 2 | 2.5 |
| 125 (@60°C/140°F) | 2 | 2.25 | 2.75 |
| 150 (@60°C/140°F) | 2.25 | 2.5 | 3 |
| 160 (@60°C/140°F) | 2.5 | 2.75 | 3.25 |
| 200 (@60°C/140°F) | 3 | 3.25 | 3.75 |
| 250 (@50°C/122°F) | 4.5 | 4.75 | 5.25 |
| 300 (@50°C/122°F) | 5 | 5.5 | 6 |

Benefits



- Easy and quick mounting either on a panel or on a DIN-rail (see figure 1-2).
- Protection of screw terminals using specific sealable covers to assure always the best safety (see figure 3).
- Bridging of current transformer output without changing the connection of the secondary, so to avoid any output overvoltage during either the maintenance or the installation procedure (see figure 4).
- Easy output and earth connection (see fig. 5).
- Screw terminals compatible with any kind of wire terminals (see figure 6-7-8-9).
- Multiple screws provided with insulation caps to grant a strong and reliable fixing of the current transformer to the bus-bar (see figure 10).

Dimensions (mm)



Wiring Diagram

