

03

03 Combination Pliers

DIN ISO 5746

- ▶ with gripping zones for flat and round material, suitable for versatile use
- ▶ with cutting edges for soft and hard wire
- ▶ long cutting edges for thicker cables
- ▶ cutting edges additionally induction hardened, cutting edge hardness approx. 60 HRC
- ▶ special tool steel, oil-hardened and tempered

03 01 180



03 02 180



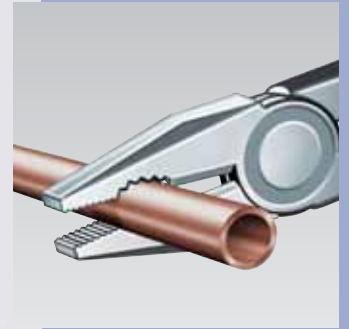
03 05 180



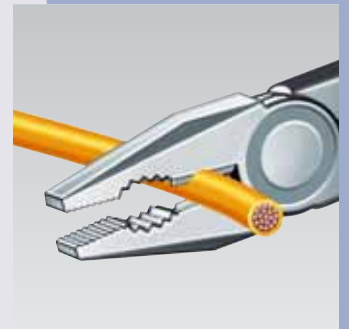
03 06 180



Gripping zone for flat material



Gripping zone for round material



Cutting edges for wire and cable

Article-No.	EAN-Code	Head	Handles	Cutting capacities				g	
				⊘ mm	⊘ mm	⊘ mm	mm ²		
03 00 180	015161	polished	black atramentized	3.4	2.2	12.0	16.0	210	
200	015178			3.8	2.5	13.0	16.0	260	
250	015185			3.8	2.5	15.0	25.0	440	
03 01 140	015192	polished	plastic coated	2.8	1.8	9.0	10.0	110	
160	013235			3.1	2.0	10.0	16.0	180	
180	013242			3.4	2.2	12.0	16.0	220	
200	013259			3.8	2.5	13.0	16.0	280	
250	015222			3.8	2.5	15.0	25.0	480	
03 02 160	023203	polished	with two-colour dual component handles	3.1	2.0	10.0	16.0	215	
180	023197			3.4	2.2	12.0	16.0	260	
200	034940			3.8	2.5	13.0	16.0	330	
03 05 140	039730	chrome plated	with two-colour dual component handles	2.8	1.8	9.0	10.0	135	
160	039518			3.1	2.0	10.0	16.0	215	
180	034933			3.4	2.2	12.0	16.0	260	
200	041146			3.8	2.5	13.0	16.0	330	
03 06 160	021902	chrome plated	insulated with two-colour dual component handles	3.1	2.0	10.0	16.0	220	
180	021926			3.4	2.2	12.0	16.0	265	
200	033776			⚡ 1000 V ⚡ VDE-tested	3.8	2.5	13.0	16.0	335
03 07 160	015307	chrome plated	plastic dipped insulated	3.1	2.0	10.0	16.0	265	
180	015314			⚡ 1000 V ⚡ VDE-tested	3.4	2.2	12.0	16.0	305
200	015321			3.8	2.5	13.0	16.0	380	
250	015345			3.8	2.5	15.0	25.0	610	