

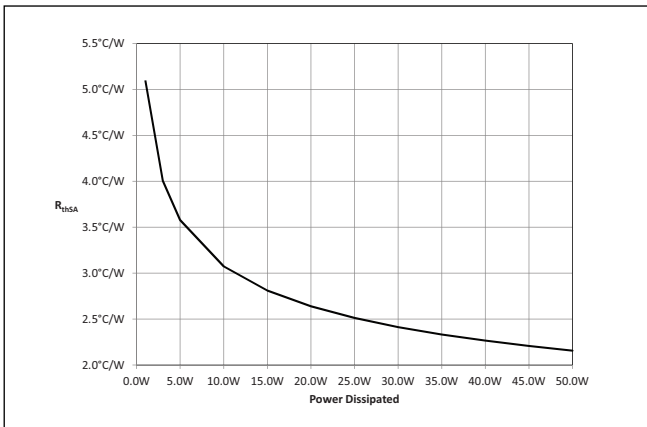
# Solid State Relays Accessories, Heatsinks Types RHS45C, RHS45CD

CARLO GAVAZZI



- 2.2 °C/W thermal resistance
- Suitable for mounting of 1-phase SSRs
- Din rail mounting
- Suitable for panel mounting
- Dimensions W x H x D: 45 x 103 x 55 mm
- RoHS compliant

## Thermal Resistance Curve



## Ordering Key

RHS45C

RHS45CD

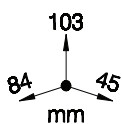
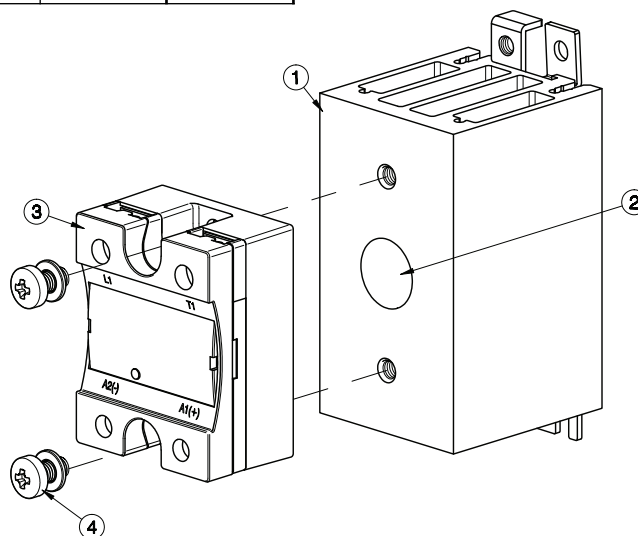
## Product Description

Heatsink assembly suitable for mounting of 1x 1-phase solid state relay (SSR).

Suffix H15 added to SSR part no. refers to factory mounted heatsink. Conditions apply. Please ask your Sales representative for further details.

## Heatsink Assembly

Components for assembly	Qty	RHS45C	RHS45CD
1 RHS45C Heatsink Assembly	1	Provided	Provided
2 Thermal Compound HTS02S	1	Provided	Not Provided
3 1-phase SSR 45x59mm	1	Not Provided	Not Provided
4 M5x10mm PZ2 + Washer	2	Provided	Provided

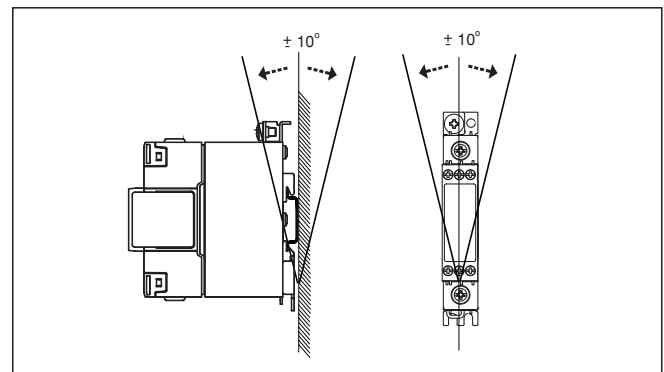


Dimensions including the SSR

## General Specifications

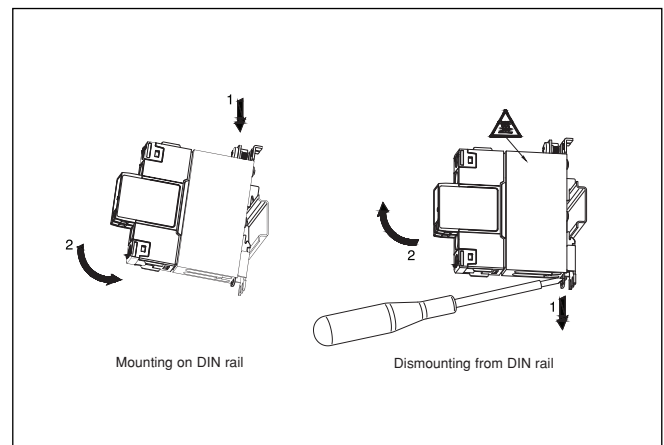
SSR max. mounting torque	1.5Nm (13.3 lb-in)
Weight (excl. SSR)	approx. 290g
Material	Aluminium
Finish	Black anodization
Fan mounting	Possible RHSF40-24

## Mounting Position



Illustrations are for example only

## Installation



## Recommended Maximum Current Rating (per SSR)

### Notes:

- The below recommendations are only valid when the assembly (SSR + heatsink) is mounted as shown in the mounting instructions unless otherwise indicated.
- The indicated ratings are applicable to one SSR, one pole. Please refer to the online selector tool at [www.productselection.net](http://www.productselection.net) for different load currents, surrounding temperatures or multiple units on one heatsink.
- These recommendations are applicable only with the indicated Carlo Gavazzi thermal interface material between SSR and heatsink. In case a different thermal interface is utilised these recommendation may no longer be valid.

Thermal interface = Thermal compound, HTS02S

1x 1-phase SSR	Surrounding temperature							
	°C	20	30	40	50	60	70	80
	°F	68	86	104	122	140	158	176
RD..	1	1	1	1	1	1	1	n/a
	5	5	5	5	5	5	5	n/a
RA..L RA..T	10	10	10	10	10	10	7.5	n/a
	25	20.5	19	17	14.5	11.5	7.5	n/a
RA..	25	25	23.5	20.5	17	13.5	10.5	n/a
	50	31.5	29.5	25	21	16.5	12.5	n/a
	90	38.5	35.5	30.5	25	20	15	n/a
	110	42	39	33.5	27.5	21.5	16	n/a
RA60..	50	31.5	29.5	25.5	21.5	17	13	n/a
RA2A..*	25	19	17.5	14.5	11.5	8.5	6	n/a
	40	21	19	16	12.5	9.5	6.5	n/a
	25M	19	17.5	14.5	11.5	8.5	6	n/a
	40M	21	19	16	12.5	9.5	6	n/a
RS1A..	10	10	10	9.5	7.5	6	4.5	n/a
	25	25	25	23.5	19	14.5	10	n/a
	40	33.5	30.5	25.5	20.5	15.5	10.5	n/a
RS1A..E	25	17	16	13.5	11.5	10	8	n/a
	40	19	18	15.5	13	11	8	n/a
RM1A.. RM1B.. RM1C..	25	25	25	23.5	19	14.5	10	n/a
	50	33.5	30.5	25.5	20.5	15.5	10.5	n/a
	75	39.5	36	30	24	15	12.5	n/a
	100	42.5	39	32.5	26	19.5	13	n/a
RM1A60.. RM1B60.. RM1C60.. RM1E60..	50	33.5	31	26.5	21.5	16	11	n/a
RAM1A.. RAM1B.. RAM1E..	25	25	25	23.5	19	14.5	10	5.5
	50	33.5	30.5	25.5	20.5	15.5	10.5	6
	75	39.5	36	30	24	15	12.5	7
	100	39.5	36	30	24	15	12.5	7
	125	42.5	39	32.5	26	19.5	13	7

\* per pole

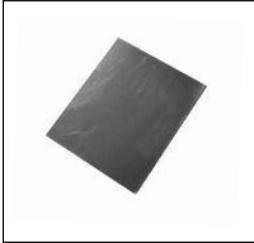
Thermal interface = Thermal pad, KK071CUT

1x 1-phase SSR	Surrounding temperature							
	°C	20	30	40	50	60	70	80
	°F	68	86	104	122	140	158	176
RD..	1	1	1	1	1	1	1	n/a
	5	5	5	5	5	5	5	n/a
RA..L RA..T	10	10	10	10	10	10	7.5	n/a
	25	18.5	17.5	15.5	13.5	11	7.5	n/a
RA..	25	24	22.5	19	16	13	10	n/a
	50	29.5	27.5	23.5	19.5	15.5	11.5	n/a
	90	35	32.5	28	23	18.5	13.5	n/a
	110	38	35.5	30.5	25	20	14.5	n/a
RA60..	50	29.5	27.5	24	20	16	12	n/a
RA2A..*	25	19	17.5	15	12	9	6	n/a
	40	21.5	19.5	16	13	9.5	6.5	n/a
	25M	19	17.5	15	12	9	6	n/a
	40M	21.5	19.5	16	13	9.5	6.5	n/a
RS1A..	10	10	10	9	7.5	6	4	n/a
	25	25	25	24.5	17.5	13.5	9	n/a
	40	30	27.5	23	18.5	14	9.5	n/a
RS1A..E	25	15.5	14.5	12.5	11	9	7.5	n/a
	40	17	16	14	12	10	8	n/a
RM1A.. RM1B.. RM1C..	25	25	25	24.5	17.5	13.5	9	n/a
	50	30	27.5	23	18.5	14	9.5	n/a
	75	35	32	27	21.5	16.5	11	n/a
	100	37.5	35	29	23	17.5	12	n/a
RM1A60.. RM1B60.. RM1C60.. RM1E60..	50	30.5	28.5	24	19.5	15	10.5	n/a
RAM1A.. RAM1B.. RAM1E..	25	25	25	24.5	17.5	13.5	9	5
	50	30	27.5	23	18.5	14	9.5	5.5
	75	35	32	27	21.5	16.5	11	6
	100	35	32	27	21.5	16.5	11	6
	125	37.5	35	29	23	17.5	12	6.5

## Accessories

---

### Thermal Pads



- Ordering key: **KK071CUT**
- Packing qty. 50 pcs.
- Suitable for 1-phase SSRs
- Dimensions: 35 x 43mm

### Thermal Compound



- Ordering key: **HTS02S**
- 2ml syringe of silicone based thermal compound

### Screw Kits



- Ordering key: **SRWKITM5X10MM**
- M5x10mm PZ2 screws + washers
- Packing qty. 20pcs.
- Suitable for 1-phase SSRs

### Fans



- Ordering key: **RHSF40-24**
- Fan 40x40mm, 24VDC