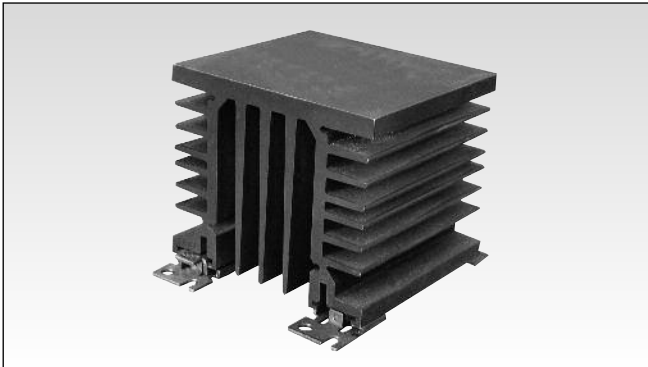


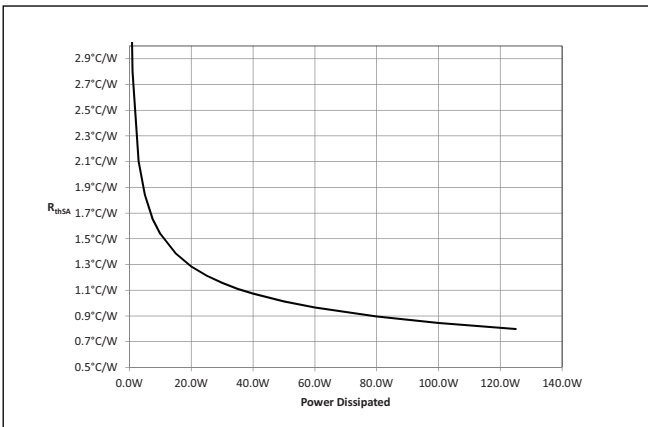
Solid State Relays Accessories, Heatsinks Types RHS90A, RHS90AD

CARLO GAVAZZI



- 0.97 °C/W thermal resistance
- Suitable for mounting of 1-phase SSRs
- DIN rail mounting
- Suitable for panel mounting
- Dimensions W x H x D: 90 x 103 x 80mm
- RoHS compliant

Thermal Resistance Curve



Ordering Key

RHS90A

RHS90AD

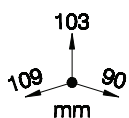
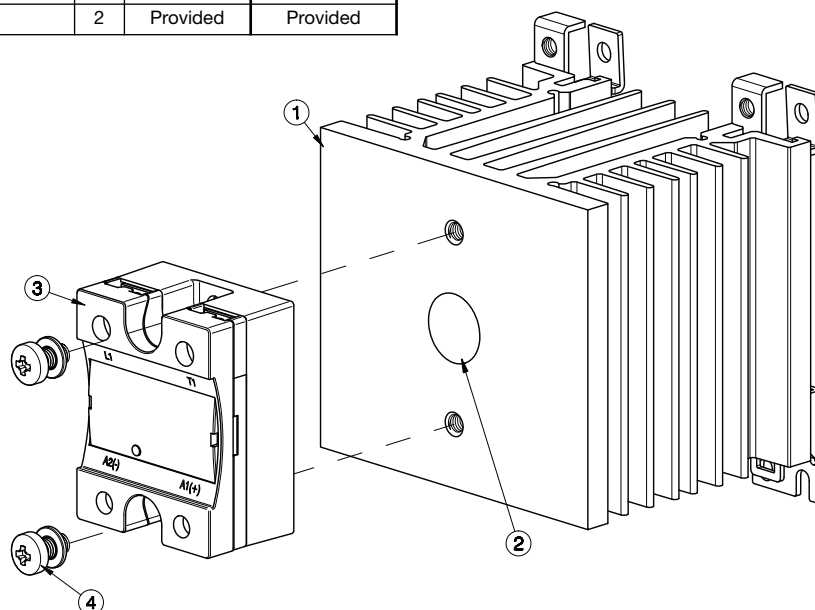
Product Description

Heatsink assembly suitable for mounting of 1x 1-phase solid state relay (SSR).

Suffix H16 added to SSR part no. refers to factory mounted heatsink. Conditions apply. Please ask your Sales representative for further details.

Heatsink Assembly

Components for assembly	Qty	RHS90A	RHS90AD
1 RHS90A Heatsink Assembly	1	Provided	Provided
2 Thermal Compound HTS02S	1	Provided	Not Provided
3 1-phase SSR 45x59mm	1	Not Provided	Not Provided
4 M5x10mm PZ2 + Washer	2	Provided	Provided

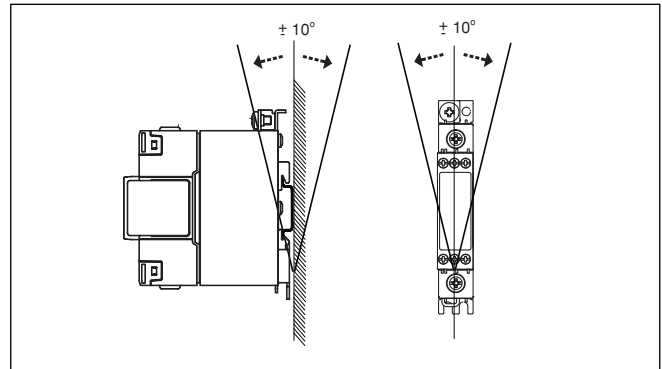


Dimensions including the SSR

General Specifications

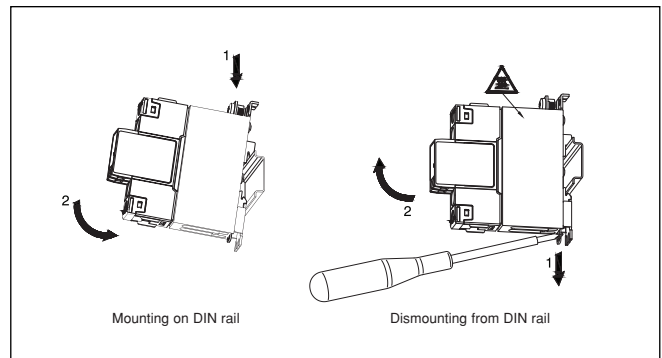
SSR max. mounting torque	1.5Nm (13.3 lb-in)
Weight (excl. SSR)	approx. 650g
Material	Aluminium
Finish	Black anodization
Fan mounting	Possible RHSF60-24, RHSF60-230

Mounting Position



Illustrations are for example only

Installation





Recommended Maximum Current Rating (per SSR)

Notes:

- The below recommendations are only valid when the assembly (SSR + heatsink) is mounted as shown in the mounting instructions unless otherwise indicated.
- The indicated ratings are applicable to one SSR, one pole. Please refer to the online selector tool at www.productselection.net for different load currents, surrounding temperatures or multiple units on one heatsink.
- These recommendations are applicable only with the indicated Carlo Gavazzi thermal interface material between SSR and heatsink. In case a different thermal interface is utilised these recommendation may no longer be valid.

Thermal interface = Thermal compound, HTS02S

Thermal interface = Thermal pad, KK071CUT

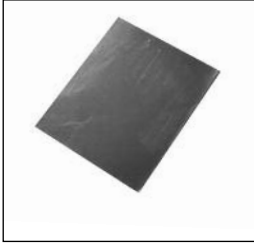
1x 1-phase SSR	Surrounding temperature							
	°C	20	30	40	50	60	70	80
	°F	68	86	104	122	140	158	176
RD..	1	1	1	1	1	1	1	n/a
	5	5	5	5	5	5	5	n/a
RA..L	10	10	10	10	10	10	10	n/a
RA..T	25	25	25	23	20	17	13.5	n/a
RA..	25	25	25	25	22.5	18.5	14	n/a
	50	45	42.5	36.5	30.5	24.5	18.5	n/a
	90	60.5	56.5	48.5	40.5	32.5	24.5	n/a
	110	68.5	64	55	45.5	36	27	n/a
RA60..	50	44.5	42	36.5	30.5	25	19	n/a
RA2A..*	25	25	25	25	23	18	12	n/a
	40	34.5	33	29.5	25.5	20	13	n/a
	25M	25	25	25	23	18	12	n/a
	40M	35.5	33.5	30	26	19.5	13	n/a
RS1A..	10	10	10	10	9.5	7.5	5.5	n/a
	25	25	25	25	25	25	18.5	n/a
	40	40.0	40.0	40	38.5	29	20	n/a
RS1A..E	25	23	22	19	16.5	14	11	n/a
	40	28	26	23	19.5	16.5	13.5	n/a
RM1A..	25	25	25	25	25	25	18.5	n/a
RM1B..	50	50	50	47.5	38.5	29	20	n/a
RM1C..	75	73.5	69	58	46.5	35	24	n/a
	100	83	76.5	63.5	50.5	38	25.5	n/a
RM1A60..	50	49.5	47.5	42.5	37.5	30	20.5	n/a
RM1B60..								
RM1C60..								
RM1E60..								
RAM1A..	25	25	25	25	25	25	18.5	10.5
	50	50	50	47.5	38.5	29	20	11
	75	73.5	69	58	46.5	35	24	13
	100	73.5	69	58	46.5	35	24	13
	125	83	76.5	63.5	50.5	38	25.5	14

1x 1-phase SSR	Surrounding temperature							
	°C	20	30	40	50	60	70	80
	°F	68	86	104	122	140	158	176
RD..	1	1	1	1	1	1	1	n/a
	5	5	5	5	5	5	5	n/a
RA..L	10	10	10	10	10	10	10	n/a
RA..T	25	24	23	20.5	17.5	15	12	n/a
RA..	25	25	25	24.5	21	17	13	n/a
	50	40	37.5	32.5	27	22	16.5	n/a
	90	50	47	40.5	34	27	20.5	n/a
	110	56	52.5	45.0	37.5	30	22.5	n/a
RA60..	50	39.5	37	32.5	27.5	22.5	17	n/a
RA2A..*	25	25	25	23.5	21	18	12.5	n/a
	40	31	29.5	26.5	23	19.5	13.5	n/a
	25M	25	25	23.5	21	18.0	12.5	n/a
	40M	32	30	27	23.5	20	13.5	n/a
RS1A..	10	10	10	10	9	7	5	n/a
	25	25	25	25	25	22	15.5	n/a
	40	40	40	38	31	23.5	16.5	n/a
RS1A..E	25	20.5	19.5	17	14.5	12.5	10	n/a
	40	24	22.5	19.5	17	14	11.5	n/a
RM1A..	25	25	25	25	25	22	15.5	n/a
RM1B..	50	48.5	45	38	31	23.5	16.5	n/a
RM1C..	75	56	52	44	35.5	27	19	n/a
	100	61.5	57	48	38.5	29	20	n/a
RM1A60..	50	44	42	37.5	31.5	24.5	17	n/a
RM1B60..								
RM1C60..								
RM1E60..								
RAM1A..	25	25	25	25	25	22	15.5	9
	50	48.5	45	38	31	23.5	16.5	9
	75	56	52	44	35.5	27	19	10.5
	100	56	52	44	35.5	27	19	10.5
	125	61.5	57	48	38.5	29	20	11

* per pole

Accessories

Thermal Pads



- Ordering key: **KK071CUT**
- Packing qty. 50 pcs.
- Suitable for 1-phase SSRs
- Dimensions: 35 x 43mm

Thermal Compound



- Ordering key: **HTS02S**
- 2ml syringe of silicone based thermal compound

Screw Kits



- Ordering key: **SRWKITM5X10MM**
- M5x10mm PZ2 screws + washers
- Packing qty. 20pcs.

Fans



- Ordering key: **RHSF60-24**
- Fan 60x60mm, 24VDC
- Ordering key: **RHSF60-230**
- Fan 60x60mm, 240VAC