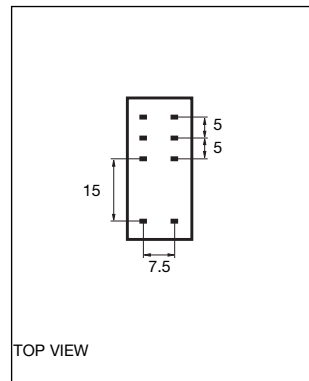
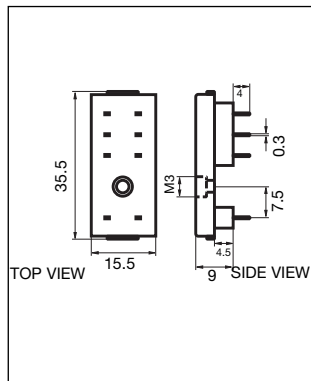


Sockets ZH (for mounting on PCB)

ZH 2



All dimensions are in mm.

General Data

Rated Voltage	300VAC
Rated Current	12A
Insulation Voltage	> 5kV
Insulation Voltage (With steel spring)	> 3kV

Socket Material	Self-extinguishing-PA6+GF (V1)
Contacts spring material	Tinned CuSn6
Hold Down Spring (on request)	Steel or Plastic
Approvals	CSA (12A 300VAC)

Relay types

For relays series:	MZ 100/010/001 16A
	MZ 200/020/002 5/10A
	MZB 100/001 5/10A
Steel spring code	6.73.00.29.1
For relays series:	M15B 100/010/001 8A
	M25 A/S 001 16A
	M25 B/T 001 12A
	M25 A/C/G/S 8A
Steel spring code	6.73.00.75.0
Note:	
rated volatge	250VAC
rated current	10A (per pole)
Insulation voltage (with steel spring)	>4kV
For relays series:	LC 200/002 5A

Approvals

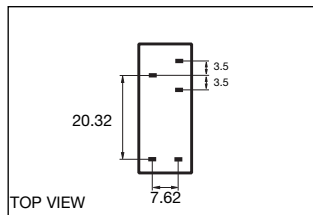
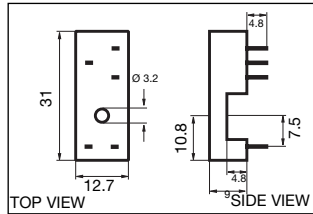


Sockets ZH (for mounting on PCB)

ZH 7



ZH 7



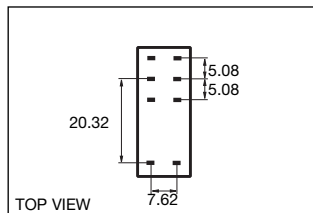
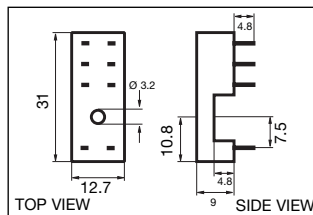
All dimensions are in mm.

For relays series:	MZ 100/001	5/10A
Steel spring code	SZH25M	
Plastic spring code	SZH25	
For relays series:	M15M 100/010/001	8A
	M25A A/S 001	12A
Steel spring code	SZH15M	
Plastic spring code	SZH15	
For relays series:	LC 100/001	10A
Steel spring code	SZH20M	
Plastic spring code	SZH20	

ZH 9



ZH 9



All dimensions are in mm.

For relays series:	MZ 100/010/001	16A
	MZ 200/020/002	5/10A
	MZB 100/001	5/10A
Steel spring code	SZH25M	
Plastic spring code	SZH25	
For relays series:	M15B 100/010/001	8A
	M25 A/S 001	16A
	M25 B/T 001	12A
	M25 A/C/G/S	8A
Steel spring code	SZH15M	
Plastic spring code	SZH15	
For relays series:	LC 100/001	16A
	LC 200/002	5A
Steel spring code	SZH20M	
Plastic spring code	SZH20	

General Data

Rated Voltage	300VAC	Socket Material	Self-extinguishing-PA6+GF (V1)
Rated Current	12A	Contacts spring material	Tinned CuSn6
Insulation Voltage	> 5kV	Hold Down Spring (on request)	Steel or Plastic
Insulation Voltage (With steel spring)	> 3kV		

Approvals



(1) Only ZH9 is UL approved