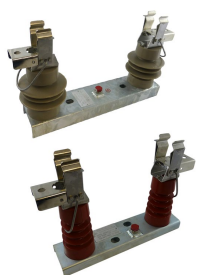


# Fuse bases for DIN high voltage fuse-links

## FUSE HOLDERS, FUSE BASES AND SUPPORTS

### IEC HV FUSE SUPPORTS



#### FEATURES & BENEFITS

- For indoor and outdoor use
- Salt spray withstand = 72h RR mini.

#### STANDARDS

- IEC 60273
- IEC 60282-1
- DIN 43624

Fuse bases for DIN high voltage fuse-links with diameter 45mm and lengths 192, 292, 367, 442 and 537mm.

The indicating device enables electrical actuating of the opening mechanism for a circuit or triggering of an indicator during the melting of a fuse equipped with a trip-indicator.

This very robust and original device means freedom for any mechanical system and offers the advantage of being able to incorporate a microswitch unit or units according to the equipment configuration.

#### TECHNICAL DATA OVERVIEW

Rated Voltage	7.2kV / 12kV / 17.5kV / 24kV / 36kV
Body Material	Base plate: galvanized steel Terminal lug: nickel-plated copper Screws: galvanized steel Clip: nickel-plated copper Clip spring: Stainless steel Insulators: epoxy resin or porcelain
Rated current $I_n$	200 A

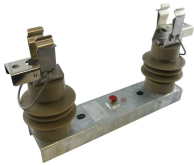
# Fuse bases for DIN high voltage fuse-links

## PRODUCT RANGE

### Fuse Holder



SI72V45.192



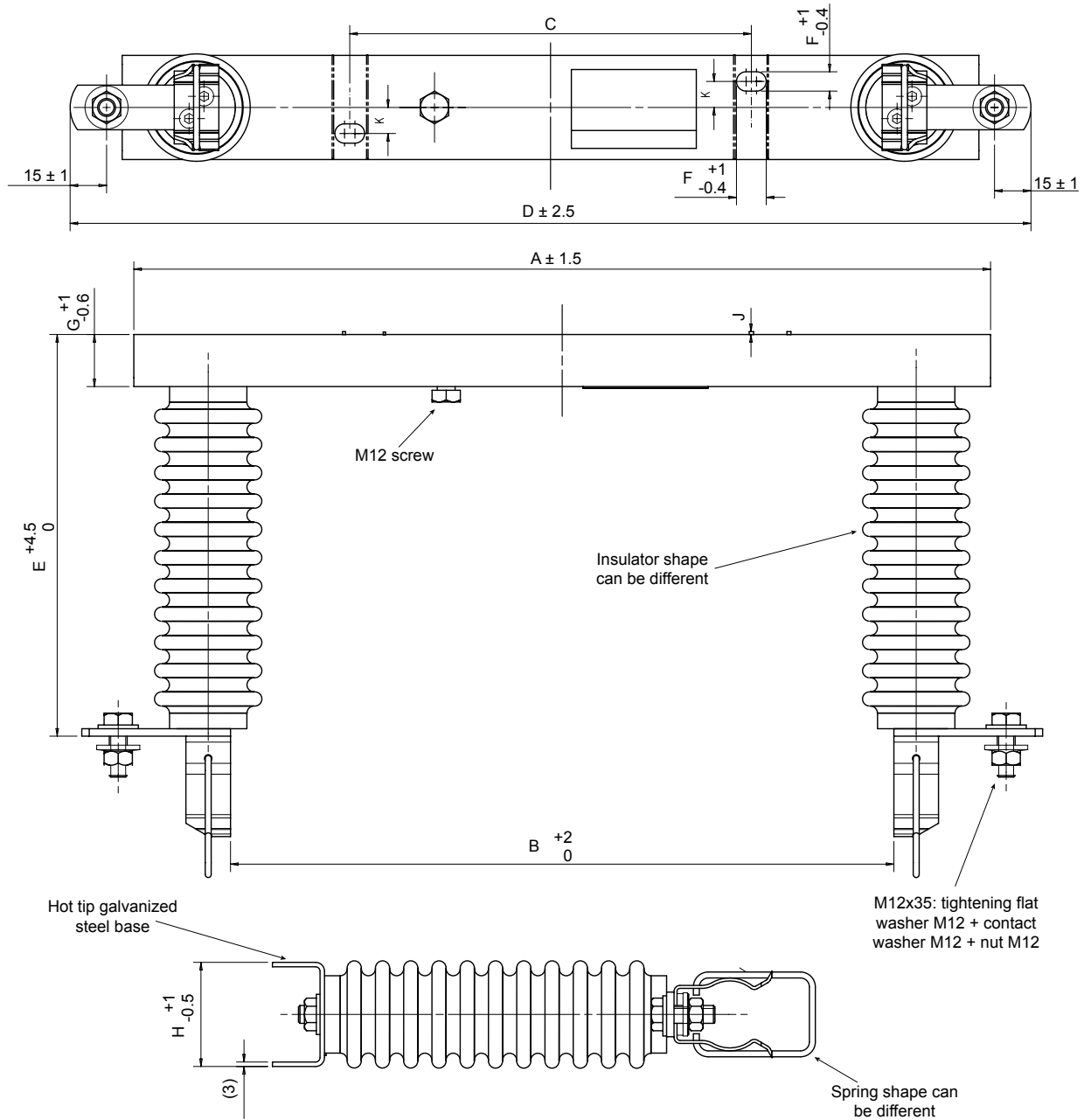
SE120V45.292

Catalog number	Item number	Rated voltage AC (IEC)	Dielectric withstand between live parts and earth (50 Hz - 1 min)	Dielectric withstand between live parts and earth (1,2/50µs)	Package	Weight
<b>indoor</b>						
SI72V45.192	X1062022	7.2 kV	20 kV	60 kV	1	3.4 kg
SI120V45.292	Y1062023	12 kV	28 kV	75 kV	1	3.7 kg
SI175V45.292	Z1062024	17.5 kV	38 kV	95 kV	1	4.5 kg
SI175V45.367	A1062025	17.5 kV	38 kV	95 kV	1	4.7 kg
SI240V45.442	B1062026	24 kV	50 kV	125 kV	1	5 kg
SI360V45.537	C1062027	36 kV	70 kV	170 kV	1	10.5 kg
<b>outdoor</b>						
SE72V45.192	D1062028	7.2 kV	20 kV	60 kV	1	5.7 kg
SE120V45.292	E1062029	12 kV	28 kV	75 kV	1	6.5 kg
SE175V45.292	H1062032	17.5 kV	38 kV	95 kV	1	6.9 kg
SE240V45.442	J1062033	24 kV	50 kV	125 kV	1	7.5 kg
SE360V45.537	K1062034	36 kV	70 kV	170 kV	1	12 kg

# Fuse bases for DIN high voltage fuse-links

## DIMENSIONS

### SI DIN fuse-holder for indoor use



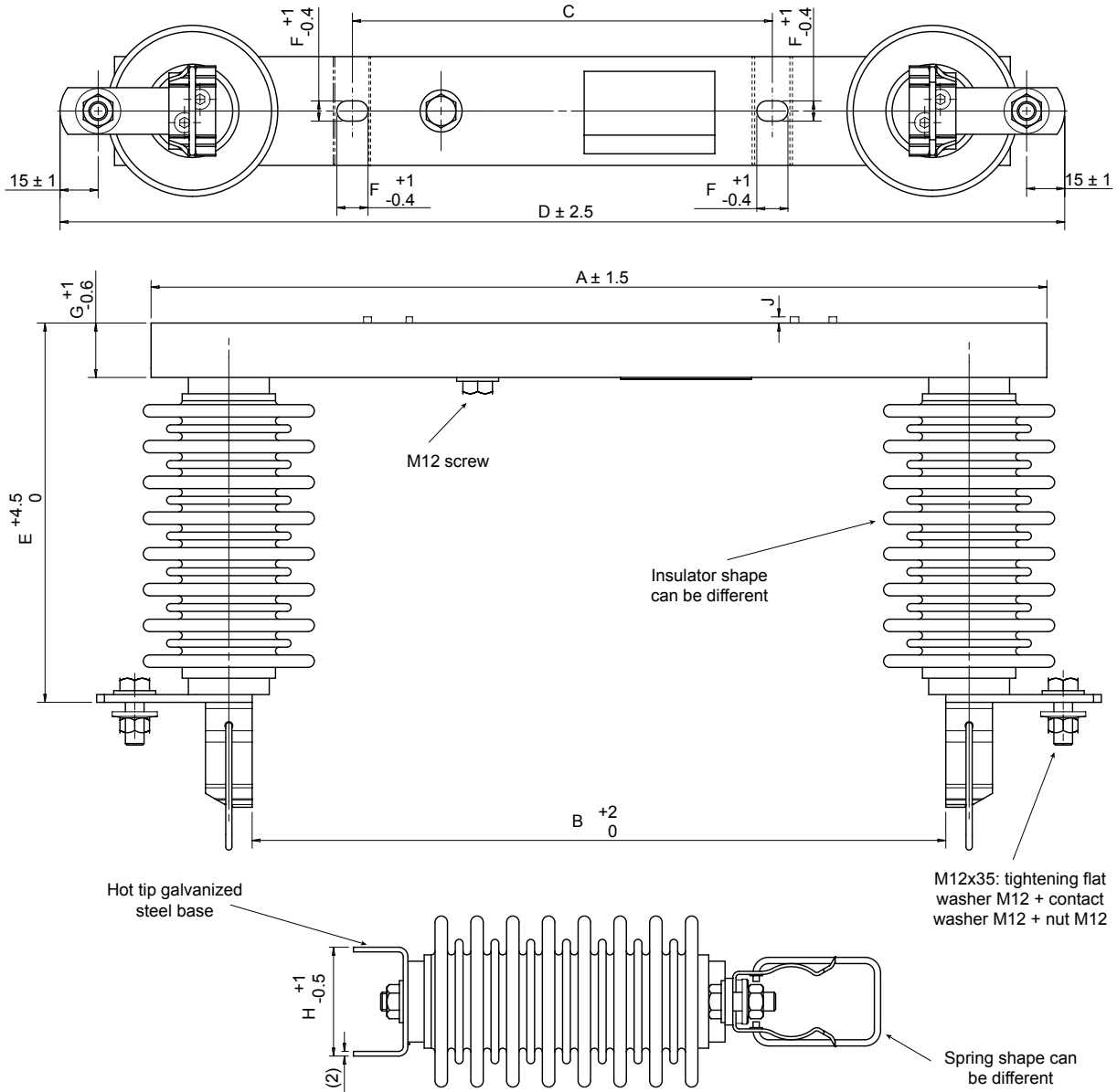
Article Number	Rated voltage	A	B	C	D	E	F	G	H	J
D1062028	7,2	324	192	55	352	194	17x22	26	80	1
E1062029	12	424	292	180	452	194	17x22	25	80	1
H1062032	17,5	424	292	180	452	274	17x22	25	80	1
J1062033	24	575	442	300	602	274	17x22	25	80	1
K1062034	36	700	537	380	697	437	17x22	30	100	1

Dimensions in mm

# Fuse bases for DIN high voltage fuse-links

## DIMENSIONS

### SE DIN fuse-holder for outdoor use



Article Number	Rated voltage	A	B	C	D	E	F	G	H	J
D1062028	7.2	352	192	105	352	208,5	17x19	39,5	90	1,5
E1062029	12	410	292	180	452	208,5	17x22	39,5	90	1,5
H1062032	17,5	410	292	180	452	348,5	17x22	39,5	90	1,5
J1062033	24	550	442	295	602	349	17x22	40	90	1
K1062034	36	720	537	375	697	489	17x22	50	100	0,5

Dimensions in mm