

# Energy Management Energy Meter Type EM330

CARLO GAVAZZI



- Digital input (for tariff management)
- Easy connection or wrong current direction detection
- Certified according to MID Directive (option PF only): see "how to order" below
- Other versions available (not certified, option X): see "how to order" on the next page

- Three phase energy meter
- Class 1 (kWh) according to EN62053-21
- Class B (kWh) according to EN50470-3
- Accuracy  $\pm 0.5\%$  RDG (current/voltage)
- Current measurement via CT
- Backlit LCD display (3x 8-digit) with integrated touch key-pad
- Energy readout on display: 8 digit
- Variable readout on display: 4 digit
- Energy measurement: kWh and kvarh (imported/exported); kWh+ by 2 tariffs; kWh per phase
- System variables: kW, kvar, kVA, VLL, VLN, PF, Hz, kWdmd, kWdmd peak
- Phase variables: kW, kvar, kVA, VLL, VLN, A, PF
- Auxiliary power supply
- Dimensions: 3-DIN module
- Protection degree (front): IP51
- Pulse output (optional, by open collector PNP)
- RS485 Modbus port (optional)
- M-bus port (optional)
- Run hour meter
- Neutral current calculation

## Product description

Three-phase energy meter with backlit LCD display with integrated touch keypad. Particularly indicated for active energy metering and for cost

allocation (CT connection), with dual tariff management availability. It can measure imported and exported energy or be programmed to consider

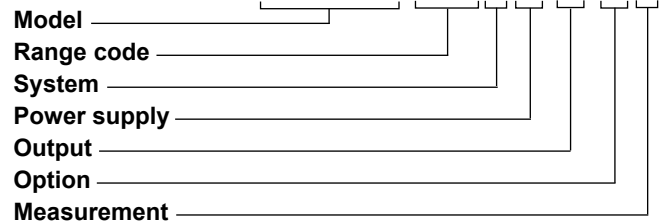
only the imported one. Housing for DIN-rail mounting, with IP51 front degree protection. The meter is optionally provided with pulse output proportional

to the active energy being measured, RS485 Modbus port or M-bus port. Available for legal metrology (PF option, only for imported energy).

**MID**

Certified according to MID Directive, Module B and Module D of Annex II, for legal metrology relevant to active electrical energy meters (see Annex V, MI003, of MID). Can be used for fiscal (legal) metrology.

## How to order EM330 DIN AV5 3 H O1 PF B



## Type Selection

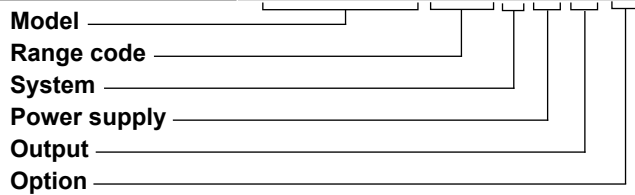
Range code	System	Power supply	Output
<b>AV5:</b> 400 VLL AC - 5(6)A (CT connection)	<b>3:</b> 3-phase, 3 or 4 wire	<b>H:</b> auxiliary power supply 90 to 260 V ac/dc	<b>O1:</b> pulse output <b>S1:</b> RS485 Modbus port <b>M1:</b> M-bus port
Option	Measurement		
<b>PF:</b> Certified according to MID Directive. Can be used for fiscal (legal) metrology.	<b>A:</b> The power is always integrated (both in case of positive imported and negative exported power) and the total energy meter is certified according to MID. <b>B:</b> Only the total positive energy meter is certified according to MID.		



**STANDARD**

Not certified according to MID Directive. Cannot be used for fiscal (legal) metrology.

**How to order EM330 DIN AV5 3 H O1 X**



**Type Selection**

Range code	System	Power supply	Output
<b>AV5:</b> 400 to 480 VLL ac - 5(6)A (CT connection) 230 to 277 VLN ac - 5(6)A (CT connection)	<b>3:</b> 3-phase, 3- or 4-wire; 2-phase 3-wire, 1-phase 2 wire	<b>H:</b> auxiliary power supply 100 to 240V ac/dc	<b>O1:</b> pulse output <b>S1:</b> RS485 Modbus port <b>M1:</b> M-bus port

**Option**

X: none

## Input specifications

<b>Rated Inputs</b>		<b>Display and touch key-pad</b>	
Current type	3-phase loads, CT connection	Type	Backlit LCD, 3 rows by 8-digit each, h 7 mm
Current range	5(6)A	Read-out	Energy: 8 digit. Variables: 4 digit
Nominal voltage	AV5: 400 to 480 VLL ac	Touch key	3 (DOWN, Enter and UP).
Max CTxVT	AV5: 1000	<b>Max. and Min. indication</b>	
<b>Accuracy</b> (@25°C ±5°C, R.H. ≤60%, 45 to 65 Hz)		Energies	Max. 99 999 999 Min. 0.01
	AV5: Imin=0.25A; In: 5A, Imax: 6A; Un: 230 to 277 VLN (400 to 480 VLL)	Variables	Max. 9999 Min. 0.01
Current	From 0.04In to 0.2In: ±(0.5%RDG+1DGT) From 0.2In to Imax: ±(0.5%RDG)	<b>Memory</b>	
Phase-neutral voltage	In the range Un: ±(0.5% RDG)	Energy	10 <sup>12</sup> cycles. Energy value is saved every time the less significant digit increases.
Phase-phase voltage	In the range Un: ±(1% RDG)	Programming parameters	10 <sup>12</sup> cycles. When a parameter is modified, only the relevant memory cell is overwritten
Frequency	Range: 45 to 65Hz.	<b>LEDs</b>	
Active power	From 0.05 In to Imax, within Un range, PF=1: ±(1% RDG)	Flashing red light pulses	Proportional to the product of the CT and VT ratios
	From 0.1 In to Imax, within Un range, PF=0.5L or 0.8C: ±(1% RDG)	Weight (pulses/kWh) 1	> 700,1 (CT x VT)
Power factor	±[0.001+1%(1.000 - "PF RDG")]	Weight (pulses/kWh) 10	70.1–700 (CT x VT)
Reactive power	From 0.05 In to Imax, within Un range, sinphi=1: ±(2% RDG)	Weight (pulses/kWh) 100	7.1–70 (CT x VT)
	From 0.1 In to Imax, within Un range, sinphi=0.5L or 0.8C: ±(2% RDG)	Weight (pulses/kWh) 1000	< 7.1 (CT x VT)
Energies		Duration	90ms
Active energy	Class 1 according to EN62053-21 and MID Annex MI-003 Class B (Class B (kWh) according to EN50470-3)	Fix orange light	wrong current direction (only with PFB option or with "B" measurement selection in case of X option)
Reactive energy	Class 2 according to EN62053-23	<b>Current overloads</b>	
Start-up current:	10mA	Continuous	6A, @ 50Hz
Start-up voltage	90VLN	For 500ms	5 In
<b>Resolution</b>	Display/serial communication	<b>Voltage Overloads</b>	
Current	0.1/0.001 A	Continuous	1.2 Un
Voltage	0.1/0.1 V	For 500ms	2 Un
Power	0.01 kW or kvar/ 0.1 W or var	<b>Input impedance</b>	
Frequency	0.1 Hz/0.1Hz	230VL-N	1.2Mohm
PF	0.01/ 0.001	5(6) A	< 1.25VA
Energies (positive)	0.01 kWh or kvarh / 0.1 kWh or kvarh	<b>Wrong connection detection</b>	Installation guide to indicate if connections are correctly carried out. Can be disabled.
Energies (negative)	0.01 kWh or kvarh / 0.1 kWh or kvarh	Phase sequence	Indicates if the phase sequence is not the correct one (L1-L2-L3)
<b>Energy additional errors</b>		Correct current direction	Indicates if the current direction is not the right one (only with PFB option or with type "B" measurement selection in case of X option).
Influence quantities	According to EN62053-21		
<b>Temperature drift</b>	≤200ppm/°C		
<b>Sampling rate</b>	4096 samples/s @ 50Hz 4096 samples/s @ 60Hz		

## Input specifications (cont.)

Load conditions	The wrong connection detection works in case of loads with: - PF>0.766 (<40°) if inductive or PF>0.996 (<5°) if capacitive	- a current at least equal to 10% rated current
-----------------	-------------------------------------------------------------------------------------------------------------------------------	-------------------------------------------------

## Digital input specifications

<b>Digital inputs</b>	Free of voltage contact	Overload	In case a voltage is erroneously applied to the digital input, the input is not damaged up to 30 V ac/dc.
Function	Tariff management (switch between t1-t2)		
Number of inputs	1		
Contact measurement voltage	5 V		
Contact resistance	≥100kohm, open contact		
Input impedance	1kohm		
Contact measurement voltage	5 V		
Contact resistance	≤1kohm, close contact		
Contact resistance	≥100kohm, open contact		

## Output specifications

<b>RS485 serial port</b>	RS485 by screw connection.	Secondary address	Univocally defined in each unit
Function	For communication of measured data, programming parameters	Identification number range	from 9000 0000 to 9999 9999
Protocol	ModBus RTU (slave function)	Other	Available functions: wild card, header, initialisation SND_NKE, and req_udr management. Management of primary address modification via M-bus and reset of partial energy via M-bus available.
Baud rate	9.6, 19.2, 38.4, 57.6, 115.2 kbaud,		VIF, VIFE, DIF and DIFE: see protocoll
Data format	even or no parity,		
Address	1 to 247 (default: 01)		
Driver input capability	1/8 unit load. Maximum 247 devices on the same bus.		
Data refresh time	1sec	<b>Static output</b>	
Read command	50 words available in 1 read command	Purpose	For pulse output proportional to the active energy (kWh)
Rx/Tx indication	Rx segment on display is shown when a valid Modbus command is sent to that specific meter Tx segment on display is shown when a valid Modbus reply is sent back to the master	Pulse rate	Selectable in multiple of 100 Max 500 or 1500 kWh according to pulse ON duration <b>Note:</b> max CTxVT x pulse ratio 20000 (e.g.: if pulse ratio is set to 1000, CTxVT max = 20)
<b>M-bus port</b>	M-bus by screw connection.	Pulse ON duration	Selectable: 30ms or 100 ms according to EN62052-31
Function	For communication of measured data	Output type	Open collector PNP
Protocol	M-bus according to EN13757-1	Load	V <sub>ON</sub> 1 V dc max. 100mA V <sub>OFF</sub> 80 V dc max.
Baud rate	0.3, 2.4, 9.6 kbaud		
Meters in the M-bus network	250		
Primary address	Selectable		

## General specifications

<b>Operating temperature</b>	-25 to +65 °C (-13 to 149° F), indoor, (R.H. from 0 to 90% non-condensing @ 40°C)	<b>Standard compliance</b>	EN62052-11
		Safety	EN62053-21, EN50470-3
		Metrology	
<b>Storage temperature</b>	-30°C to +80°C (-22 to 176° F) (R.H. < 90% non condensing @ 40°C)	<b>Approvals</b>	CE, MID (PF option only), cULus (UL61010-1)
<b>Overvoltage category</b>	Cat. III	<b>Connections</b>	
<b>Insulation (for 1 minute)</b>	4000 V ac RMS between measuring inputs and digital/serial output (see table) 4000 V ac RMS	Cable cross-section area	Voltage inputs: max. 4 mm <sup>2</sup> , min. 1 mm <sup>2</sup> with/without metallic cable ferrule; Max. screw tightening torque: 0.6 Nm
<b>Dielectric strength</b>	4000 V ac RMS for 1 minute	Other terminals	1.5 mm <sup>2</sup> , Min./Max. screws tightening torque: 0.4 Nm
<b>EMC</b>	According to EN62052-11	<b>Housing</b>	
Electrostatic discharges	15kV air discharge;	Dimensions (WxHxD)	54 x 90 x 63 mm
Immunity to irradiated electromagnetic fields	Test with current: 10V/m from 80 to 2000MHz;	Material	Noryl, self-extinguishing: UL 94 V-0
Electromagnetic fields	Test without any current: 30V/m from 80 to 2000MHz;	Sealing covers	Included
Burst	On current and voltage measuring inputs circuit: 4kV	<b>Mounting</b>	DIN-rail
Immunity to conducted disturbances	10V/m from 150KHz to 80MHz	<b>Protection degree</b>	
Surge	On current and voltage measuring inputs circuit: 4kV;	Front	IP51
Radio frequency	According to CISPR 22	Screw terminals	IP20
		<b>Weight</b>	Approx. 240 g (packing included)

## Power supply specifications

Auxiliary power supply

H: 100 to 240 V ac/dc

Power consumption

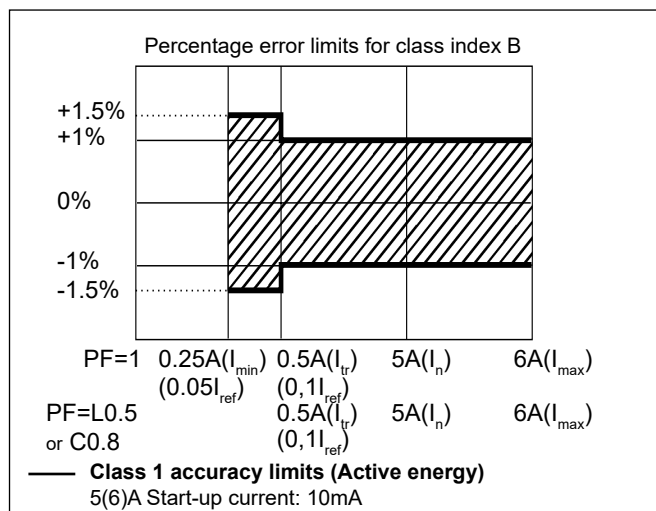
 $\leq 1W, \leq 8VA$ 

## Insulation (for 1 minute) between inputs and outputs

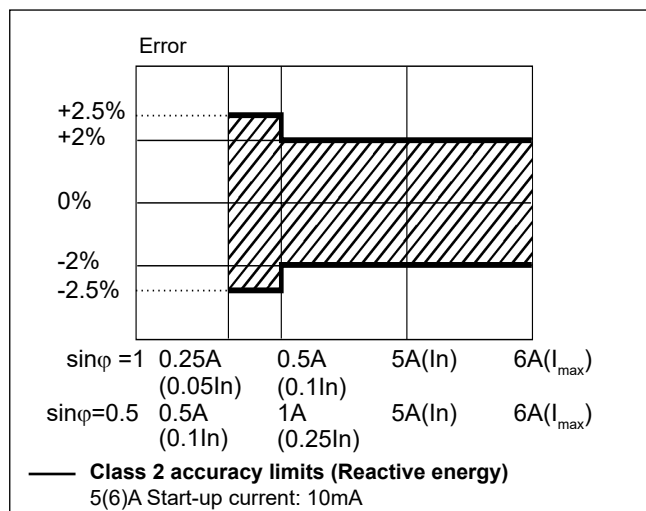
	Measuring input	Digital or serial output	Digital input
Measuring input	-	4 kV	4 kV
Digital or serial output	4 kV	-	0 kV
Digital input	4 kV	0 kV	-

## Accuracy (according to EN50470-3 and EN62053-23)

kWh, accuracy (RDG) depending on the current



kvarh, accuracy (RDG) depending on the current



## Display pages

1 <sup>st</sup> row	2 <sup>nd</sup> row	3 <sup>rd</sup> row	“Full” mode	“Easy” mode	Note
kWh+ (imported)		kW system	X	X	In case of Measurement set to “A”, total energy without considering the current direction.
kWh- (exported)		kW system	X	X	Only with Measurement set to “B”
kWh+ (imported)		V L-L system	X	X	
kWh+ (imported)		V L-N system	X	X	
kWh+ (imported)		PF system	X		
kWh+ (imported)		Hz	X		
kvarh+ (imported)		Kvar system	X	X	In case of Measurement set to “A”: total positive reactive energy without considering the current direction.
kvarh- (exported)		Kvar system	X	X	Only with Measurement set to “B”
kWh+ (imported)		kVA system	X		
kWh+ (imported)	kWdmd peak	kWdmd	X		
kWh (t1)	“t1”	kW system	X	X	Only relevant to kWh+, with Tariff menu set to ON.
kWh (t2)	“t2”	kW system	X	X	Only relevant to kWh+, with Tariff menu set to ON.
kWh L1	kWh L2	kWh L3	X		In case of Measurement set to “A”, total energy without considering the current direction. In case of Measurement set to “B”, only imported energy.
kVA L1	kVA L2	kVA L3	X		
kvar L1	kvar L2	kvar L3	X		
PF L1	PF L2	PF L3	X		
V L1-N	V L2-N	V L3-N	X		
V L1-2	V L2-3	V L3-1	X		
run hour meter		An	X		
A L1	A L2	A L3	X	X	
kW L1	kW L2	kW L3	X		

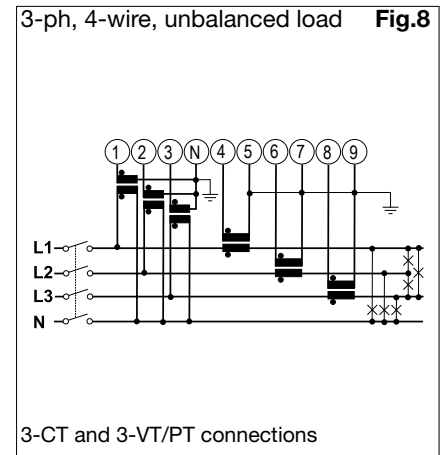
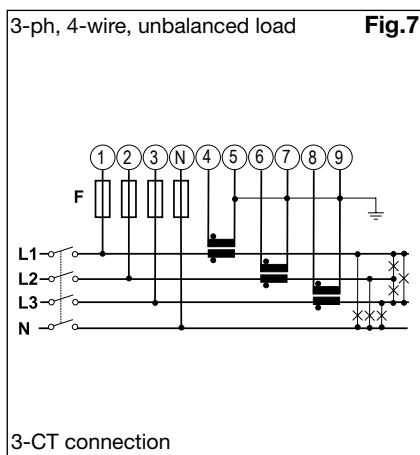
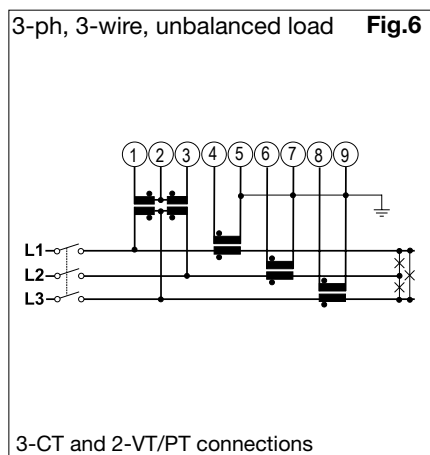
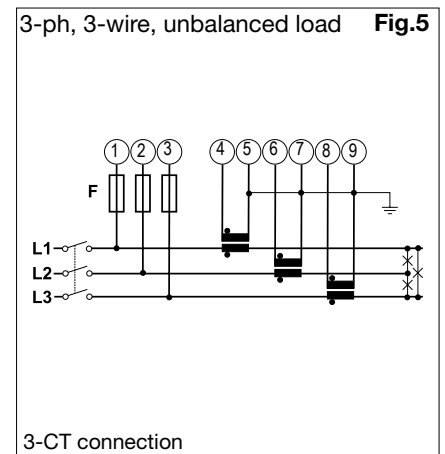
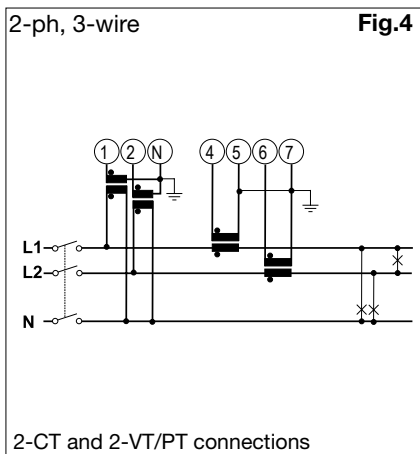
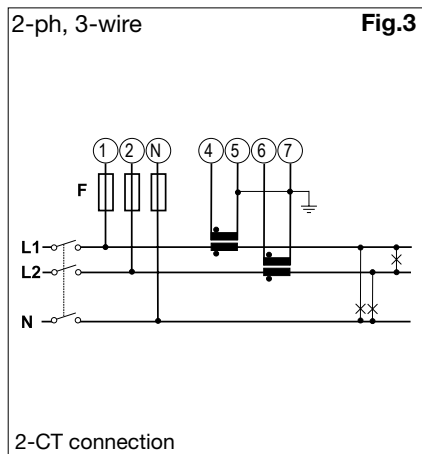
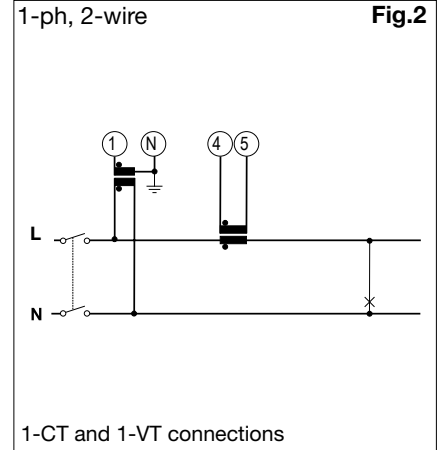
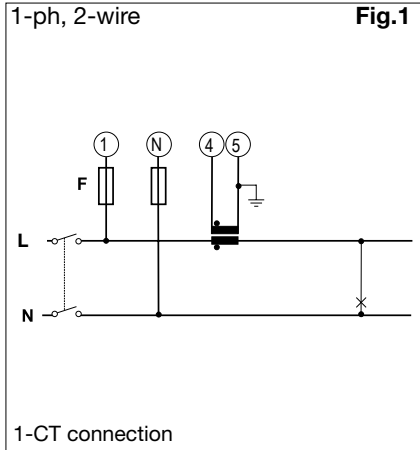
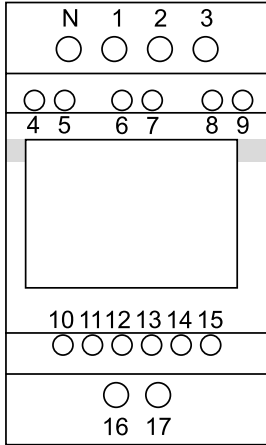
X= available

## Additional available information on the display

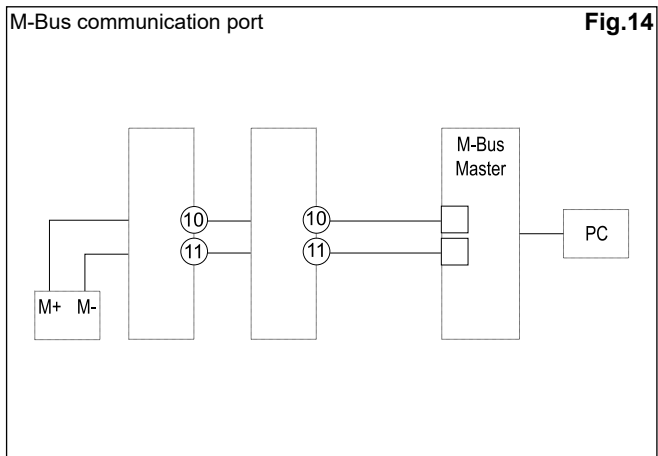
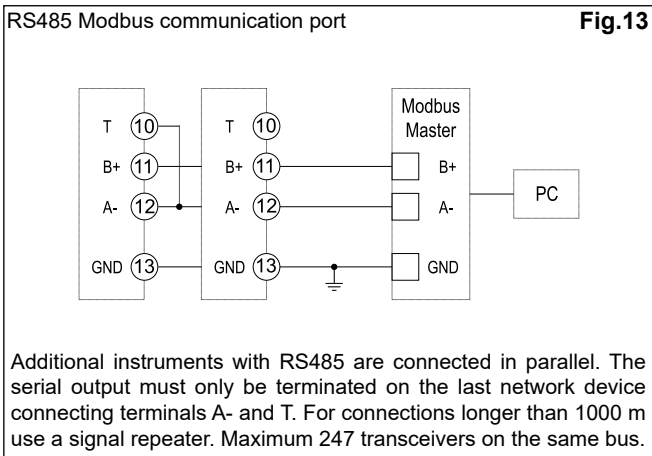
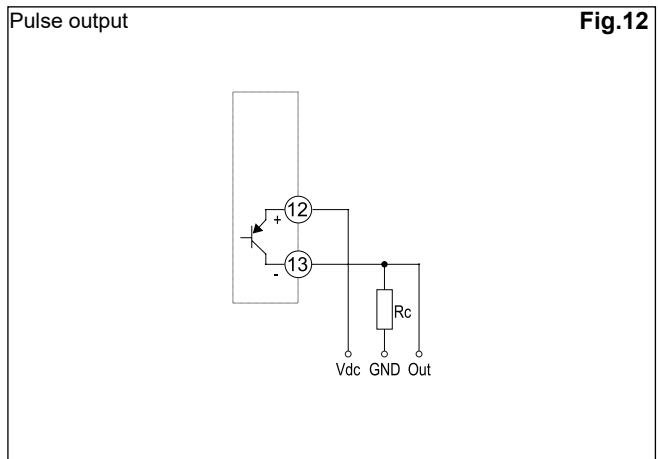
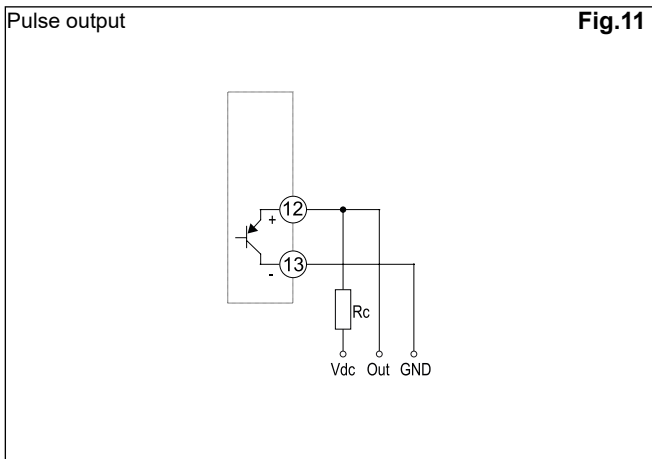
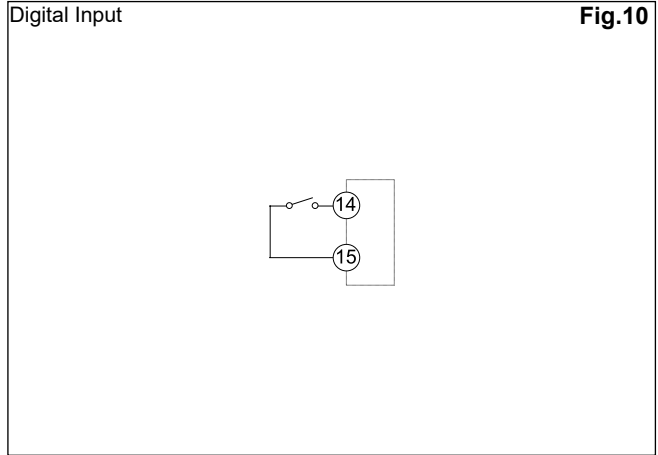
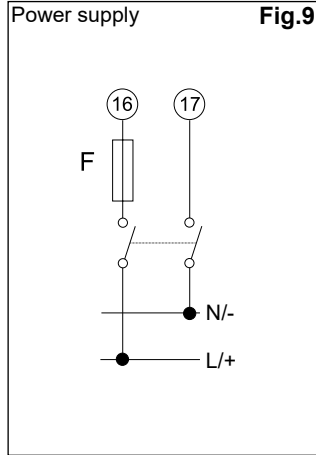
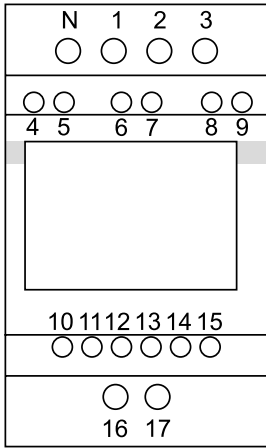
Page	Display	Description
Info 1	YEAr (2015)	Year of production
Info 2	SErIAL n (dddnnnA)	Serial number (ddd= day of the year; nnn=progressive number; A= production line, internal use only)
Info 3	rEVIslon (A.01)	Firmware revision
Info 4	PuLS LEd	Pulse rate of front LED (pulse/kWh)
P3	SYStEM	System type
P4	CT ratio	current transformer ratio
P5	VT ratio	voltage transformer ratio
P6	MEASurE (only X option)	Measurement type
P7	InStALL	Wrong connection detection function
P8	P Int	Integration time for Wdmd calculation
P9	ModE	Set of variables on display
P10	tArIFF	Tariff enabling (and current tariff if enabled)
P11	HoME (only X option)	Selected home page
P12-1	PuLSE (O1 option)	Selection of pulse ON duration of output
P12-2	PuLrAtE (O1 option)	Selection of the pulse rate of output
P13	PrI Add (M1 option)	M-bus primary address
P14	AddrESS (S1 option)	Modbus serial address
P15	bAud (M1 or S1)	M-bus or Modbus baud rate
P16-1	PARItY (S1)	Modbus parity
P16-2	StoP blt (S1)	Stop bit (in case of No parity only)
Info 5	Secondary address (M1)	M-bus secondary address



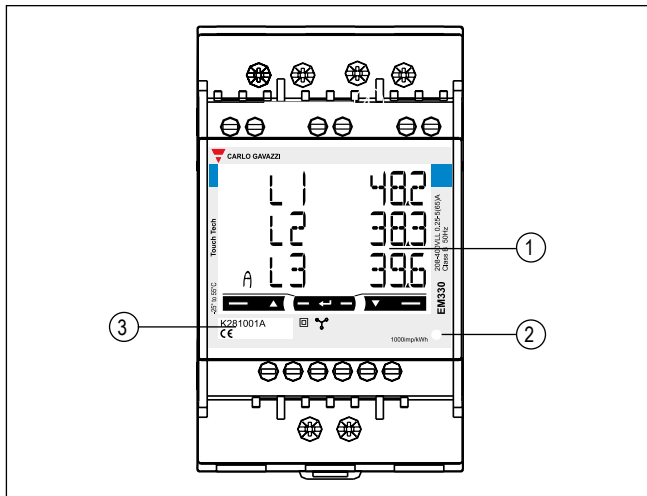
# Wiring diagrams



## Wiring diagrams (cont.)



## Front panel description



1. **Display**  
Backlit LCD display with touch key-pad.
2. **LED**  
LED proportional to kWh reading
3. **Serial number**  
Area reserved to serial number and MID-relevant data in PF versions

## Dimensions

