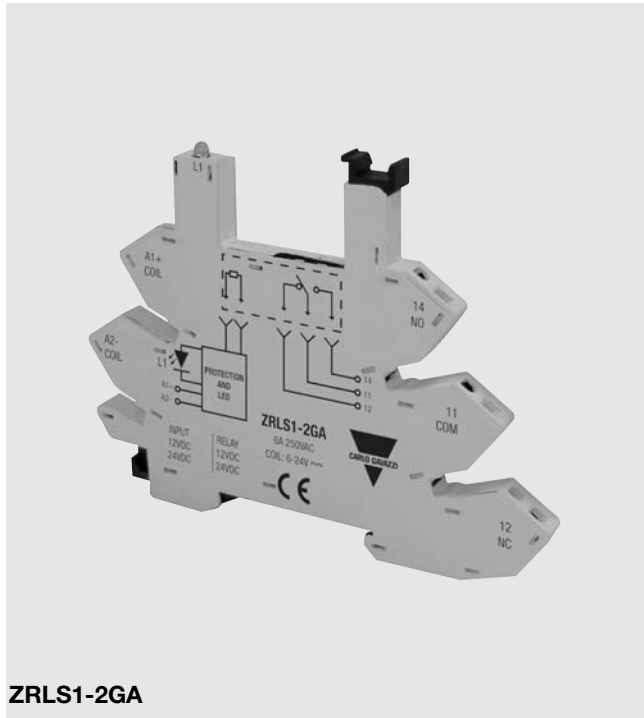
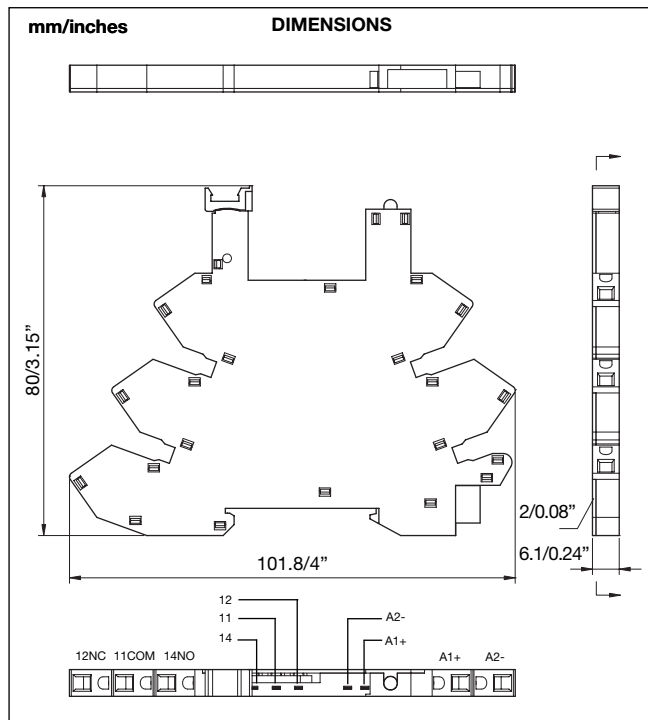


Sockets for RLS Relays

ZRLS1 GA



ZRLS1-2GA



General data

Rated voltage	300VAC
Rated current	6A
Insulation voltage	>3kV
Protection degree	IP 20 B
Socket material	PA66+GF (V0)
Socket colour	RAL 7035 / Pantone 1C
Contacts material	CuSn 6.5-0.1
Contacts surface	tin-plated
Terminal type	Spring loaded terminal
Operating temp.	-40° to +70°C (-40° to 158°F)
Max Wire section	
Flex / compact wire	2 x 2.5mm ² (14AWG)
Cable End	2 x 1.5mm ² (16AWG)

Output data

Max voltage	300VAC max
Max current	6A

Input data and Ordering code

ZRLS1-2GA	
Input	from 6 to 24VDC
Coil rate*	from 6 to 24VDC
ZRLS1-3GA	
Input	from 6 to 24VAC/VDC
Coil rate*	from 6 to 24VDC
ZRLS1-4GA	
Input	120VAC
Coil rate*	24VDC
ZRLS1-5GA	
Input	230VAC
Coil rate*	24VDC

Approvals



Box content: 20 sockets	
Box size: (W 15 x D 8.5 x H 9.5) mm	Weight: 600g
(W 0.59 x D 0.33 x H 0.37) inches	Weight: 21.16oz

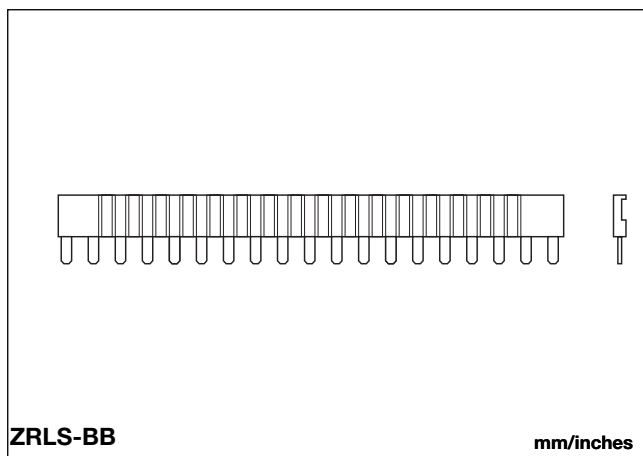
Optional Accessories (to be ordered separately if required)

Labels	ZRLS-LAB
Separator	ZRLS-DIV
Bridging bar	ZRLS-BB

* The coil rate value is the socket output voltage. The relay to be fitted should have the same coil voltage.

Optional sockets bridging bars

ZRLS-BB



General data

Plastic insulator material	PA66 + GF (V0)
Plastic insulator colour	Black
Metal jumper	Tinned copper

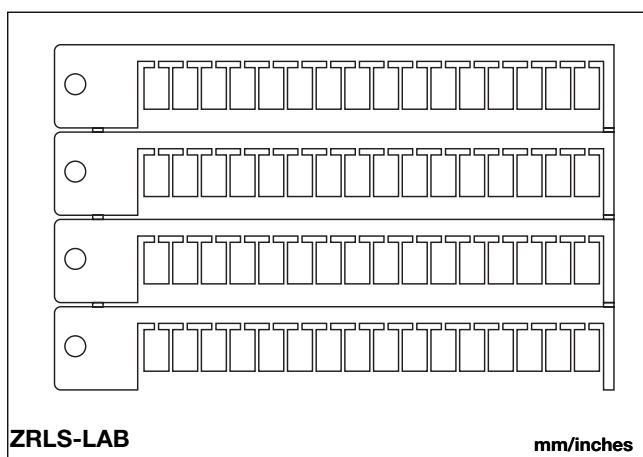
Packaging

Box content:	1 plastic bag, 10pcs.
Weight:	~50g (~1.76oz)



Optional labels for ZRLS1-NA and ZRLS1-GA

ZRLS-LAB



General data

Plastic labels material	Polycarbonate (PC)
Plastic labels colour	White

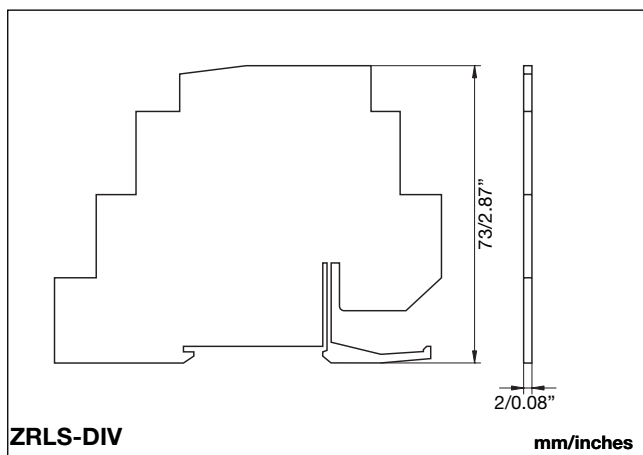
Packaging

Box content:	1 plastic bag, 10pcs.
Weight:	~50g (~1.76oz)



Optional separator for ZRLS1-NA and ZRLS1-GA

ZRLS-DIV



General data

Plastic separator material	PA66
Plastic separator colour	RAL 7035 / Pantone 1C

Packaging

Box content:	1 plastic bag, 10pcs.
Weight:	~50g (~1.76oz)

