



CONNECT AND PROTECT

Accessories

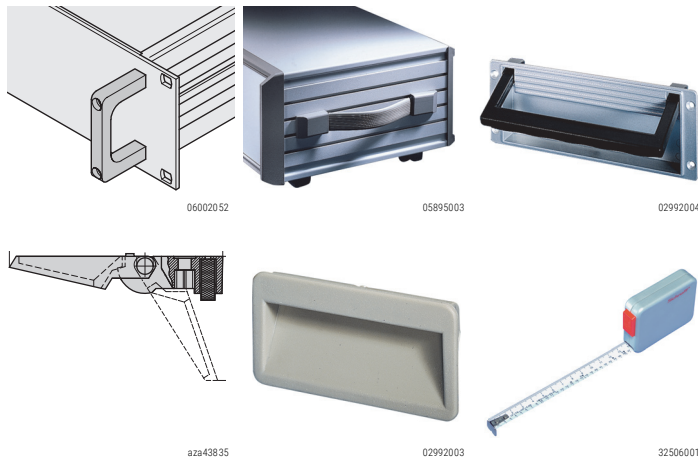
12/2022

nvent

SCHROFF

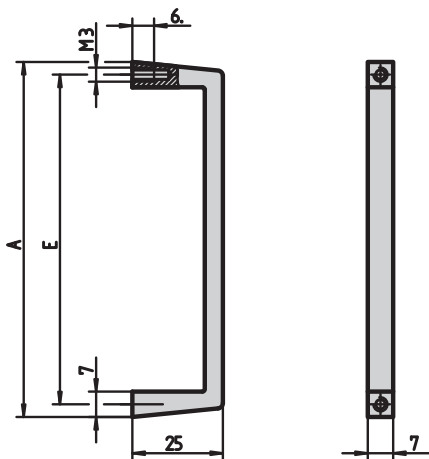
Desk-top cases – Accessories

CONTENTS



- Front handles see page 5.108
- Strap handles see page 5.110
- Tip-up carrying handles, see page 5.111
- Folding handles see page 5.112
- Tray handle see page 5.113
- Feet, see page 5.113
- Screwdriver (Torx) 5.115
- Measuring tape, see page 5.115

FRONT HANDLE, ONE-PIECE, WIDTH 7 MM



- Static load-carrying capacity 10 kg/pair
- Bolted from rear

DELIVERY COMPRISES (kit)

| Item | Qty | Description |
|------|-----|--------------------------------------|
| 1 | 1 | Front handle, Al extrusion, anodised |

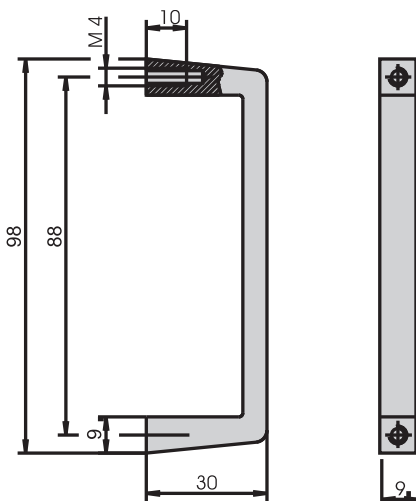
ORDER INFORMATION

| A | E | Part no. |
|----|----|------------------|
| mm | mm | |
| 48 | 40 | 10501-001 |
| 98 | 90 | 10501-002 |

Delivery is exclusively in Standard Pack Quantity (SPQ):
 Please order at least 10 pieces or a multiple.
 Pricing is per individual item.

BZA42318

FRONT HANDLE, ONE-PIECE, WIDTH 9 MM



- Static load-carrying capacity 30 kg/pair
- Bolted from rear

DELIVERY COMPRISES (kit)

| Item | Qty | Description |
|------|-----|--------------------------------------|
| 1 | 1 | Front handle, Al extrusion, anodised |

ORDER INFORMATION

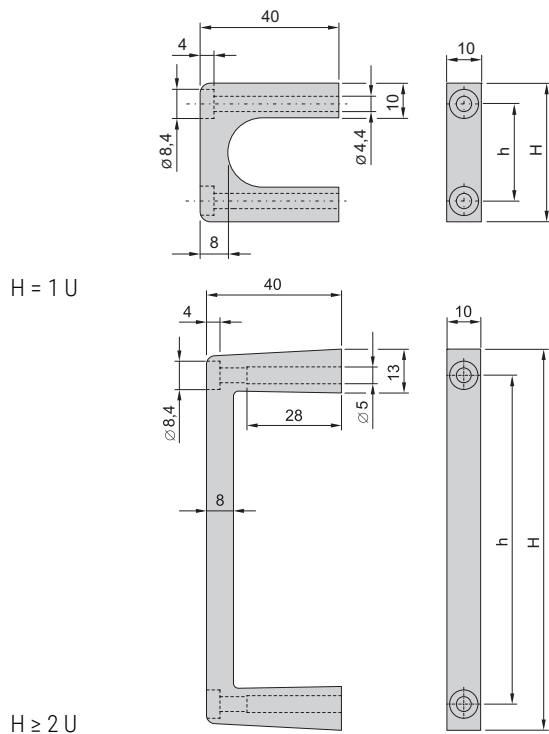
| Description | Part no. |
|---|------------------|
| Front handle | 10501-003 |
| Pozidrive countersunk screw 14 x 10, zinc-plated, PU 100 pieces | 21101-381 |

Delivery is exclusively in Standard Pack Quantity (SPQ):
 Please order at least 10 front handles or a multiple.
 Pricing is per individual item.

BZA42330

Desk-top cases – Accessories

FRONT HANDLE, ONE-PIECE, WIDTH 10 MM



- Static load-carrying capacity 30 kg/pair
- Bolted from front

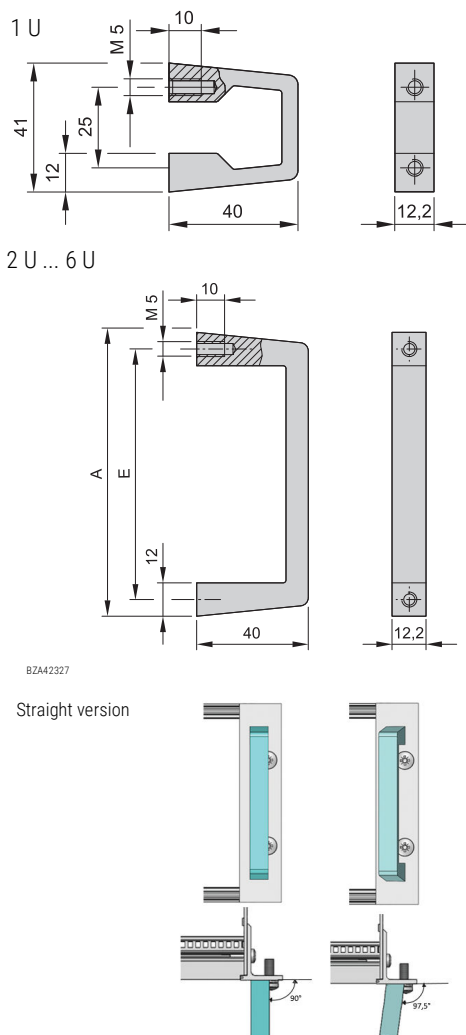
DELIVERY COMPRISES (kit)

| Item | Qty | Description |
|------|-----|--------------------------------------|
| 1 | 2 | Front handle, Al extrusion, anodised |
| 2 | 1 | Assembly kit |

ORDER INFORMATION

| Height H U | Height H mm | Height h mm | Part no. |
|---------------|----------------|----------------|------------------|
| 1 | 40 | 28 | 20860-256 |
| 2 | 69 | 53 | 20860-257 |
| 3 | 113 | 97.5 | 20860-258 |
| 4 | 157.45 | 141.9 | 20860-259 |
| 5 | 201.9 | 186.4 | 20860-260 |

FRONT HANDLE, ONE-PIECE, WIDTH 12.2 MM

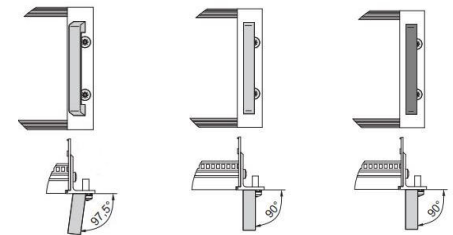


- Static load-carrying capacity 30 kg/pair
- Bolted from rear
- Angled version for easy access to screws

DELIVERY COMPRISES

| Item | Qty | Description |
|------|-----|--------------------------------------|
| 1 | 1 | Front handle, Al extrusion, anodised |

ORDER INFORMATION



| U | A | E | clear anodised Angled Veri Part No. | Straight version Part No. | black anodised Straight version Part No. |
|-----|-------|-------|---|------------------------------|--|
| 1 | 41 | 25 | – | 10501-116 | – |
| 2 | 57.5 | 44.5 | – | 10501-016 | – |
| 3 | 102 | 88 | 10501-020 | 10501-005 | 10501-026 |
| 4 | 132 | 120 | – | 10501-006 | 10501-027 |
| | 146.4 | 133.4 | 10501-021 | 10501-018 | – |
| 5 | 194 | 180 | – | 10501-007 | 10501-028 |
| 6/9 | 249 | 235 | 10501-022 | 10501-008 | 10501-029 |

Accessories

| | |
|---|------------------|
| Panhead pozidrive screw self-locking, M5 x 12, zinc-plated, PU 100 pieces | 21100-788 |
| Torx countersunk screw M5 x 12, zinc-plated, 100 pieces | 24560-183 |

Delivery is exclusively in Standard Pack Quantity (SPQ):
Please order at least 10 front handles or a multiple. Pricing is per individual item.

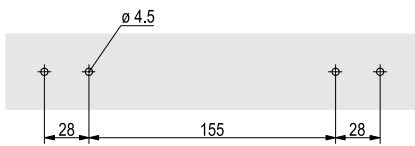
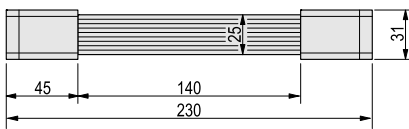
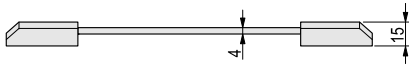
NOTE: Please order panhead screws separately

Desk-top cases – Accessories

STRAP HANDLE, WIDTH 25 MM



05895003



02902050

- Static load-carrying capacity 20 kg

DELIVERY COMPRISES (kit)

| Item | Qty | Description |
|------|-----|--|
| 1 | 1 | Band, spring steel, handle, flexible plastic, grey, RAL 7016 |
| 2 | 2 | Cover, grey, RAL 7016 |
| 3 | 1 | Assembly kit |

ORDER INFORMATION

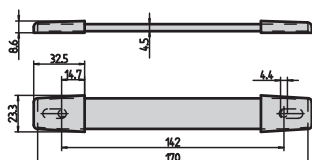
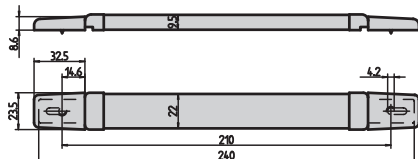
| Length mm | Part no. |
|--------------|------------------|
| 230 | 20850-249 |

STRAP HANDLE, WIDTH 22 MM



02992006

Length 240 mm/170 mm



BZA42368

- Static load-carrying capacity 20 kg

DELIVERY COMPRISES (kit)

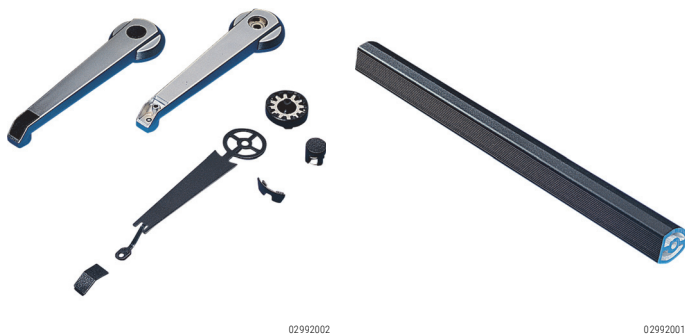
| Item | Qty | Description |
|------|-----|---|
| 1 | 1 | Band, spring steel, plastic-coated, black |
| 2 | 2 | Cover cap, St, chrome-plated |
| 3 | 1 | Assembly kit |

ORDER INFORMATION

| Length mm | Part no. |
|--------------|------------------|
| 170 | 10504-002 |
| 240 | 10504-003 |

Desk-top cases – Accessories

TIP-UP CARRYING HANDLE IN SEPARATE PARTS



02992002

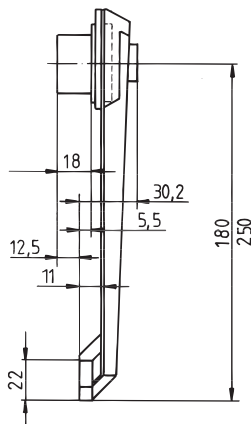
02992001

- Static load-carrying capacity 25 kg (with handle bars of 450 mm length)

LATERAL HANDLE PARTS



02992002



A4-2361

- Handle can be adjusted in 30° grid by pressing button

DELIVERY COMPRISES (kit)

| Item | Qty | Description |
|------|-----|--|
| 1 | 2 | Lateral parts, die-cast zinc, painted (chrome decor) |
| 2 | 2 | Safety inserts, St, 1.5 mm, black |
| 3 | 2 | Adaptor/locking brackets |
| 4 | 1 | Assembly kit |

ORDER INFORMATION

| Length mm | Part no. |
|--------------|------------------|
| 180 | 10502-297 |
| 250 | 10502-296 |

HANDLE BAR



DELIVERY COMPRISES (kit)

| Item | Qty | Description |
|------|-----|--------------------------------|
| 1 | 1 | Handle bar, Al, black anodised |

ORDER INFORMATION

| Length mm | Part no. |
|--------------|------------------|
| 1000 | 30502-191 |



02992001

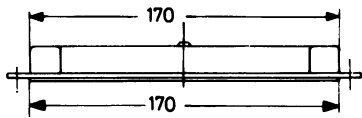
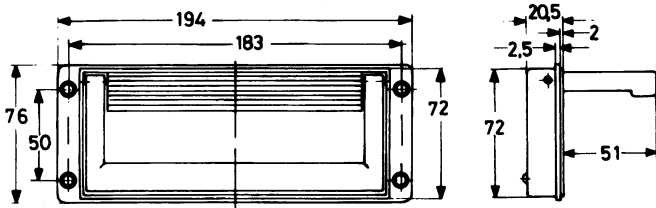
A4-2367

Desk-top cases – Accessories

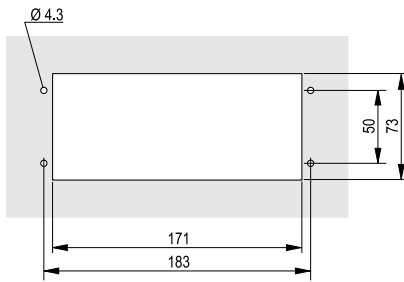
FOLDING METAL HANDLE



02992004



A4-2369



A4-2370

- Static load-carrying capacity 30 kg/pair
- For case ingress protection to IP 40
- Locks in folded and opened positions
- Equal cut-out for fitting in front of or behind case wall

DELIVERY COMPRISES (kit)

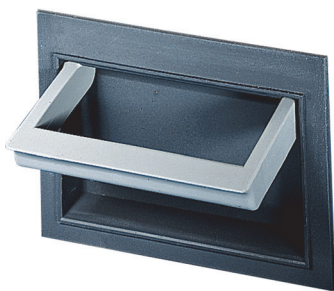
| Item | Qty | Description |
|------|-----|---|
| 1 | 1 | Handle, Al die-cast, RAL 9005, black |
| 2 | 1 | Handle shell, Al die-cast, RAL 9006, silver |

ORDER INFORMATION

| Description | Part no. |
|----------------------|------------------|
| Folding metal handle | 20505-032 |

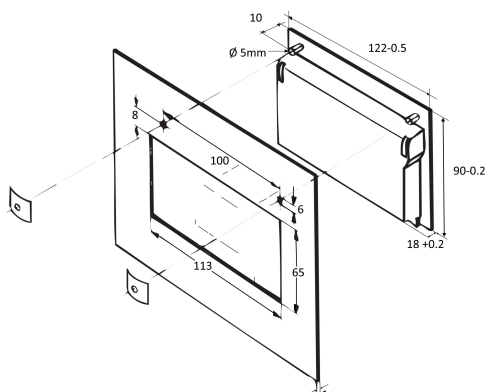
Delivery is exclusively in Standard Pack Quantity (SPQ): Please order at least 10 pieces or a multiple. Pricing is per individual item.

FOLDING PLASTIC HANDLE



02992005

Folding plastic handle



114064711

- Static load-carrying capacity 20 kg/pair
- For case ingress protection to IP 40
- Locks in folded and opened positions
- External mounting only

DELIVERY COMPRISES (kit)

| Item | Qty | Description |
|------|-----|-----------------------------|
| 1 | 1 | Handle, PA, light grey |
| 2 | 1 | Handle shell, PA, dark grey |
| 3 | 1 | Assembly kit |

ORDER INFORMATION

| Description | Part no. |
|------------------------|------------------|
| Folding plastic handle | 10505-014 |

Delivery is exclusively in Standard Pack Quantity (SPQ): Please order at least 10 pieces or a multiple. Pricing is per individual item.

Desk-top cases – Accessories

TRAY HANDLE



- Static load-carrying capacity 30 kg/pair

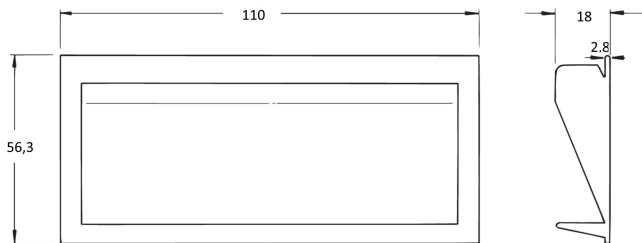
DELIVERY COMPRISES

| Item | Qty | Description |
|------|-------|------------------------------------|
| 1 | 1 | Handle shell, black ABS, UL 94 V-0 |
| 2 | 2 / 3 | Spring clip Size 1 / 2 |

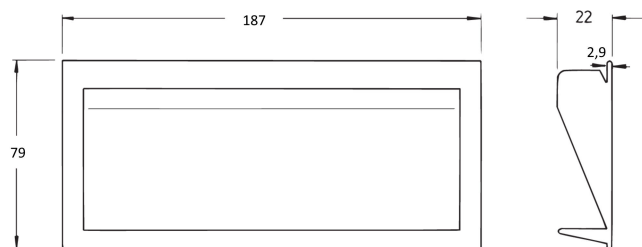
ORDER INFORMATION

| Description | Part No. |
|--------------------------------------|------------------|
| Size 1 for material thickness 1.5 mm | 60229-004 |
| Size 2 for material thickness 1.5 mm | 60225-012 |

Delivery is exclusively in Standard Pack Quantity (SPQ):
Please order a minimum of 10 tray handles or a multiple.
Pricing is per individual item.

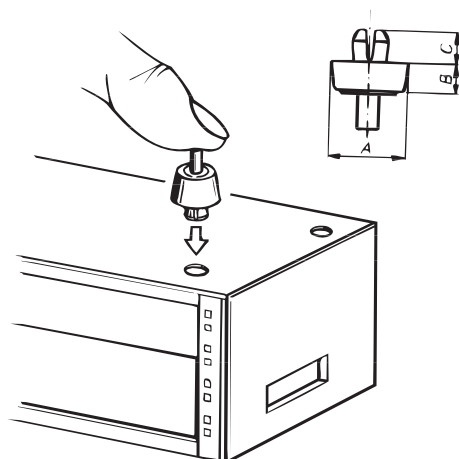


Size 1, case cut-out 49 x 104 mm



Size 2, case cut-out 73 x 171 mm

PLASTIC FOOT



DELIVERY COMPRISES

| Pos. | Menge | Beschreibung |
|------|-------|------------------------------------|
| 1 | 1 | Plastic foot, PC, UL 94 V-0, black |

ORDER INFORMATION

| Description | Dimensions | | | Hole diameter | Part no. |
|----------------------------------|------------|-----|----|---------------|------------------|
| | A | B | C | | |
| | mm | mm | mm | mm | |
| For material thickness 1 ... 3 | 16 | 7.2 | 4 | 7 | 60224-009 |
| For material thickness 1.5 ... 3 | 21 | 15 | 7 | 7.7 | 60224-011 |

Delivery is exclusively in Standard Pack Quantity (SPQ):
Please order at least 50 pieces or a multiple. Pricing is per individual item.

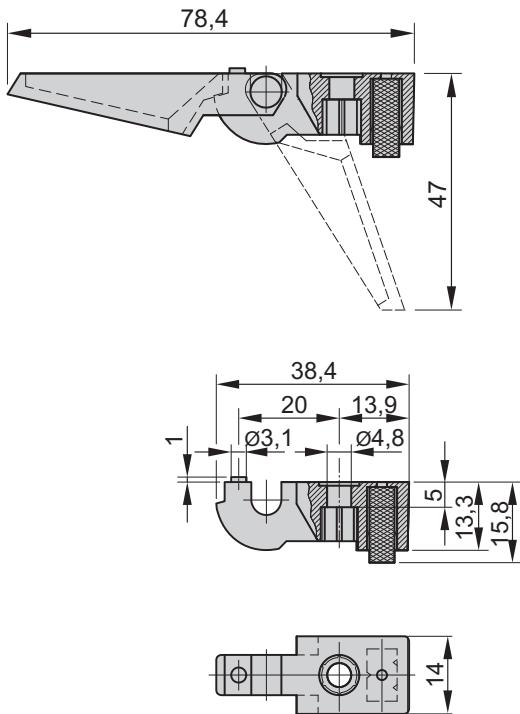
NOTE

- Foot is inserted into mounting hole and then fixed by pressing in the expanding pin

A4-330

Desk-top cases – Accessories

PLASTIC TIP-UP FOOT



- Static load-carrying capacity 25 kg per foot
- Can be used instead of standard feet
- Fixing holes provided in bottom of case

ORDER INFORMATION

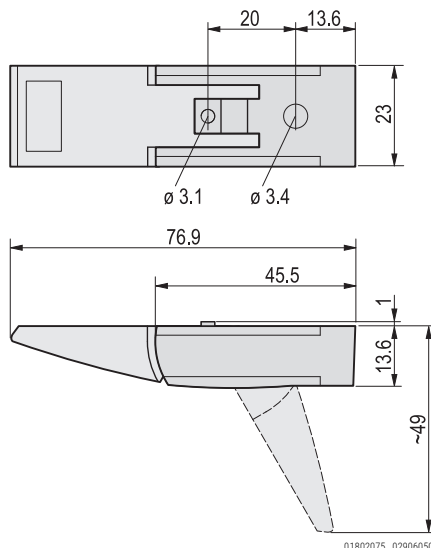
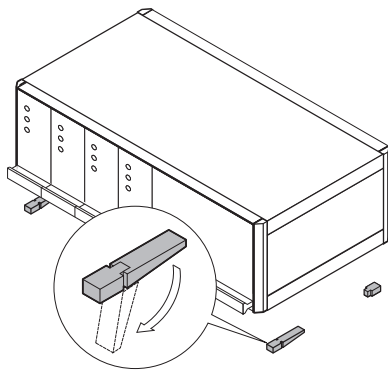
| Description | Qty/PU | grey Part no. | black Part no. |
|--|--------|------------------|-------------------|
| Foot with tip-up, PA, UL 94 HB | 1 | 10603-023 | 10603-025 |
| Foot without tip-up, PA, UL 94 HB | 1 | 10603-024 | 10603-026 |
| Pozidrive flathead screw M4 x 10, St, zinc-plated, PU 100 pieces | | | 21100-513 |
| Hexagon nut M4, St, zinc-plated, PU 100 pieces | | | 21100-211 |
| Spring washer A4, St, zinc-plated, PU 100 pieces | | | 21100-207 |

Delivery is exclusively in Standard Pack Quantity (SPQ):
Please order a minimum of 10 feet or a multiple.
Pricing is per individual item.

NOTE

- Please order assembly kit separately.

PLASTIC TIP-UP FEET



- Static load-carrying capacity 25 kg per foot
- Can be used instead of standard feet
- Fixing holes provided in bottom of case

DELIVERY COMPRISES (kit)

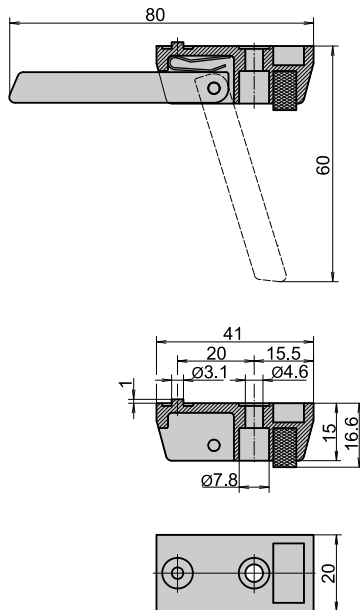
| Item | Qty | Description |
|------|-----|------------------------------|
| 1 | 4 | Foot, PA, UL 94 V-0 |
| 2 | 4 | Anti-slip protection, TPE |
| 3 | 2 | Tip-up device, PA, UL 94 V-0 |
| 4 | 1 | Assembly kit |

ORDER INFORMATION

| Description | RAL 7016 anthra- cite Part no. | RAL 9006 silver Part no. |
|---------------------|--------------------------------------|-----------------------------|
| Plastic tip-up foot | 20603-002 | 20603-001 |

Desk-top cases – Accessories

AL DIE-CAST TIP-UP FOOT



AZA43836

- Static load-carrying capacity 50 kg per foot
- Can be used instead of standard feet
- Fixing holes provided in bottom of case

ORDER INFORMATION

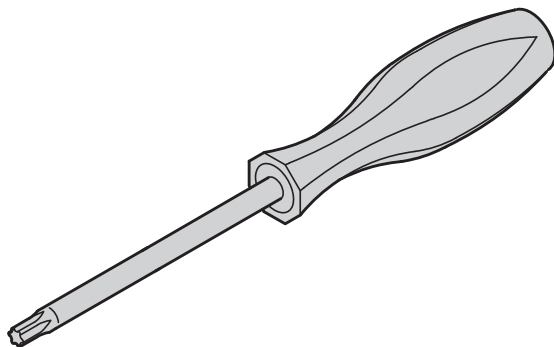
| Description | Qty | Part no. |
|--|--------------------------------|------------------|
| Foot without tip-up, Al die-cast, silver | 1 piece (SPQ 10) ¹⁾ | 10603-001 |
| Foot with tip-up, Al die-cast, silver | 1 piece (SPQ 10) ¹⁾ | 10603-002 |

Accessories

| | |
|--|------------------|
| Cheesehead screw with slot M4 × 12, St, zinc-plated, PU 100 pieces | 21101-211 |
| Hexagon nut M4, St, zinc-plated, PU 100 pieces | 21100-211 |
| Spring washer A4, St, zinc-plated, PU 100 pieces | 21100-207 |

1) Delivery is exclusively in Standard Pack Quantity (SPQ):
Please order at least 10 pieces or a multiple. Pricing is per individual item.

SCREWDRIVER



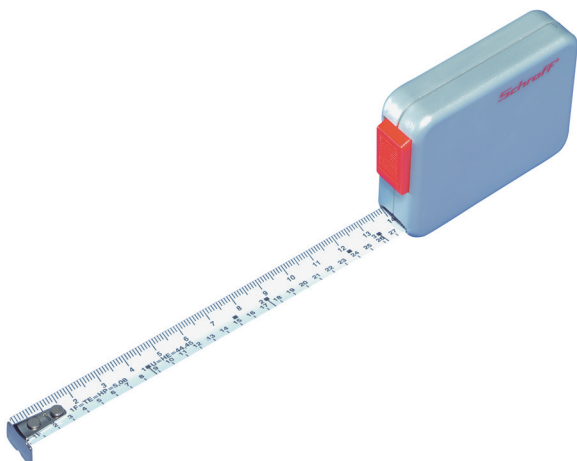
AZA45925

- T8: For mounting guide rails to horizontal rails
- T10: To fix the top cover locking
- T20: For mounting horizontal rails and rear hoods to side panels, cover plates, support brackets and front handles

ORDER INFORMATION

| Torx screwdriver | Qty/PU pieces | Part no. |
|------------------|---------------|------------------|
| M2.5 T 8 Torx | 1 | 64560-026 |
| M3 T 10 Torx | 1 | 64560-230 |
| M4 T 20 Torx | 1 | 64560-027 |

MEASURING TAPE



32506001

- Measuring tape with cm, U-, HP-division (length 2 m)
- Plastic cases, metal measuring tape with automatic collection

ORDER INFORMATION

| Description | Qty/PU | Part no. |
|----------------|--------|------------------|
| Measuring tape | 1 | 89009-001 |

North America

Warwick, RI, USA

Tel +1.401.738.1722

San Diego, CA, USA

Tel +1.858.740.2400

Europe, Middle East & India

Straubenhardt, Germany

Tel +49 7082 794 0

Betschdorf, France

Tel +33 3 88 90 64 90

Warsaw, Poland

Tel +48 22 209 98 35

Hemel Hempstead,

Great Britain

Tel +44 1442 24 04 71

Lainate, Italy

Tel +39 02 932 714 1

Dubai, United Arab Emirates

Tel +971 4 82 38 666

Bangalore, India

Tel +91 80 6715 8900

Istanbul, Turkey

Tel +90 541 368 0941

Asia Pacific

Shanghai, China

Tel +86 21 2412 6943

Singapore

Tel +65 6768 5800

Shin-Yokohama, Japan

Tel +81 45 476 0271

Our powerful portfolio of brands:

CADDY ERICO HOFFMAN RAYCHEM SCHROFF TRACER



[nVent.com/SCHROFF](https://www.nvent.com/SCHROFF)