



## 5 Watt Interchangeable Plug Series PSAC05R Adapter



### Features

- Double Insulated
- Field Changeable AC Plugs
- Efficiency Level VI Compliance
- Low Leakage Current
- Low Cost
- Class B EMI

### Applications

- MPEG Players
- PDA
- Personal Electronics
- Digital Camera

### Safety Approvals

- cUL/UL
- TÜV
- NOM
- CE
- CB

### Mechanical Characteristics

- Length: 71.7mm (2.82in)
- Width: 45mm (1.77in)
- Height: 29.79mm (1.17in)
- Weight: 120g (4.2oz)

### Output Specifications

Model	DC Output Voltage	Load		Efficiency Level
		Min.	Max.	
PSAC05R-050L6 <sup>(1)</sup>	5V	0A	1.0A	VI
PSAC05R-050L6M <sup>(2)</sup>	5V	0A	1.0A	VI
PSAC05R-050L6B <sup>(3)</sup>	5V	0A	1.0A	VI

(1) PSAC05R-050 has 2.1 x 5.5 x 9.5mm center positive output connector.

(2) PSAC05R-050L6M has Micro-B plug.

(3) PSAC05R-050L6B has Mini-B plug.

Interchangeable clips sold separately

Phihong is not responsible for any error, and reserves the right to make changes without notice. Please visit our website at [www.phihong.com](http://www.phihong.com) for the most up-to-date specifications and contact information.

**Input:**

**AC Input Voltage Rating**  
100 to 240V AC

**AC Input Voltage Range**  
90 to 264V AC

**AC Input Frequency**  
47 to 63Hz

**Input Current**  
0.3A (RMS) maximum at 115V AC/max load  
0.15A (RMS) maximum at 230V AC/max load

**Leakage Current**  
5uA maximum at 240V AC, 50Hz

**Inrush Current**  
<30A for 240V AC at maximum load  
(Cold start at ambient 25°C)

**Input Power Saving**  
<0.3W maximum

**Output:**  
**Efficiency**  
DOE Level VI and CoC V5 Tier2

**Ripple**  
200mV max

**Short-Circuit Protection**  
The output can be shorted permanently without damage whenever it operates within input voltage range and temperature range specified in this specification. Output current not exceed 0.95A (RMS).

**Over-Voltage Protection**  
No to exceed 7.2V DC

**Over-Current Protection**  
Not to exceed 1.2A (RMS)

**Environmental:**  
**Temperature**

Operation	0 to +40°C
Non-operation	-40 to +85°C
Humidity	90%RH Max

**Emissions**  
FCC Class B  
EN55022 Class B  
AS/NZS 3548

**Immunity**  
EN50082-1: EN 61000-4-2, Level 4  
Air Discharge +/-15KV ; Contact +/- 8KV  
EN 61000-4-5, Level 3,1KV

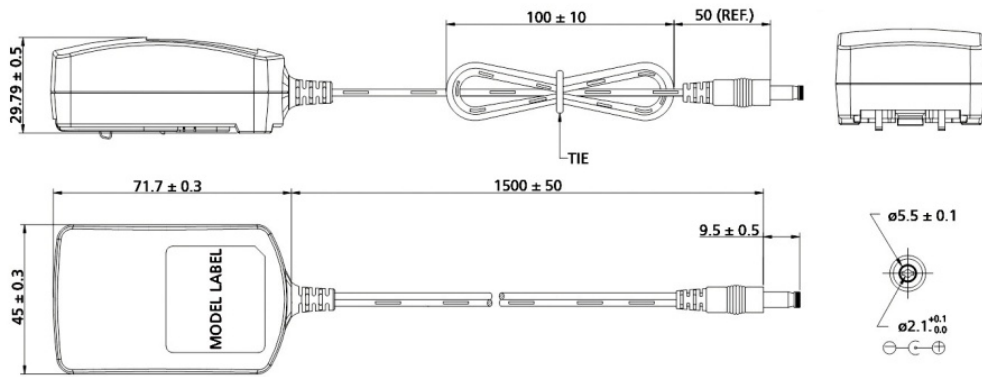
**Dielectric Withstand (Hi-pot) Test**  
Primary to Secondary: 3000V AC 10mA, 1 minute

**DC Output Connector**  
2.1 x 5.5 center positive standard (P model)  
Micro-B USB (L6M model)  
Mini-B USB (L6B model)

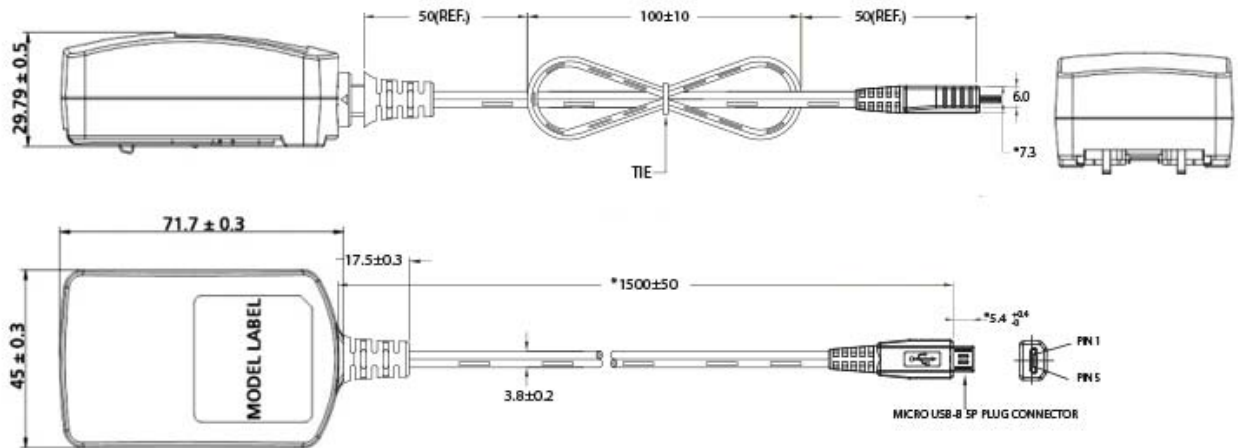
**AC Input Clips (sold separately)**

RPA: US	RPI: India
RPB: Brazil	RPK: UK
RPC: China	RPN: Argentina
RPE: Europe	RPS: Australia
RPH: Korea	RPX: IEC320 C8

**PSAC05R-050L6 Dimension Diagram Unit: mm**



**PSAC05R-050L6M Dimension Diagram Unit: mm**



**PSAC05R-050L6B Dimension Diagram Unit: mm**

