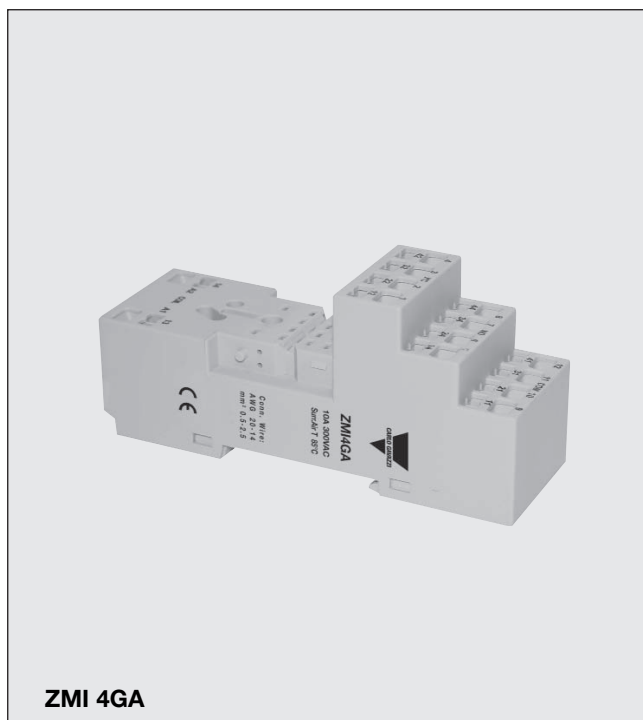
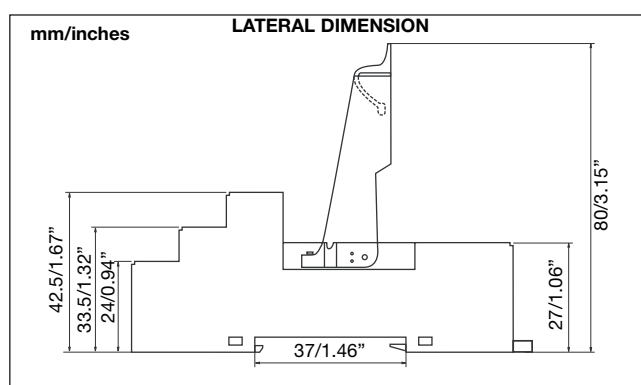
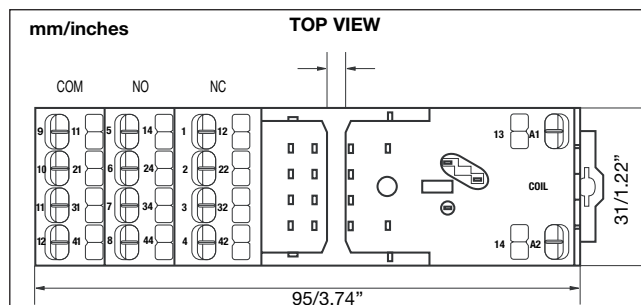


Screwless Sockets for RMI Relays

ZMI 2GA - ZMI 4GA



ZMI 4GA



General data

Socket material	PA66 +GF - V2
Socket colour	RAL 7035 / Pantone 1C
Contact material	Cu Ni
Contact surface	5µm tin plated
Terminals	8µm zinc plated steel
Terminal type	Spring loaded terminal
Ratings	10A x 2 or 5A x 4 @ 300VAC
Operating temp.	-40° to +70°C (-40° to +158°F)

Insulation voltage	>4kV
Creepage and clearance	Gr.C250, VDE 0110b / 2.79
Max wire section	
Flex / compact wire	2 x 2.5mm ² (14AWG)
Cable End	2 x 1.5mm ² (16AWG)
Terminal protection degree	IP 20 (EN60529)

Approvals



Ordering code 2 contacts version for RMI A 2 10 xxx : ZMI2GA / ZMI4GA (This can also be used for 2 contacts)
 Ordering code 4 contacts version for RMI A 4 5 xxx : ZMI4GA

Box content: 10 sockets, 10 labels, 10 Plastic hold down springs
 Box size: (W 155 x D 165 x H 70) mm Weight: 850g
 (W 6.10 x D 6.50 x H 2.75) inches Weight: 30oz

Optional Accessories (to be ordered separately if required)

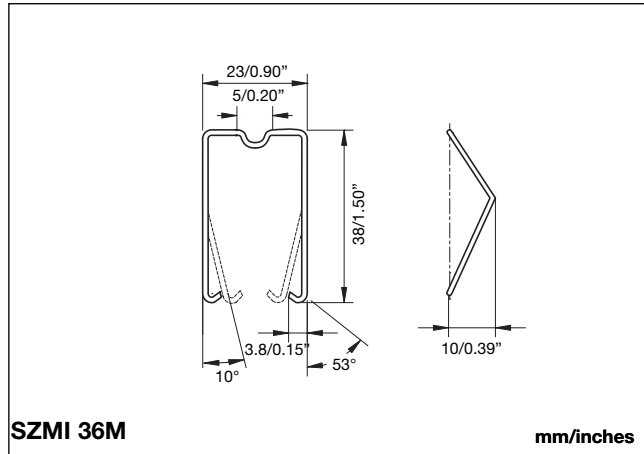
Metal Hold Down Springs	SZMI36M	Labels	6.73.00.61.3
Plastic spare hold down Spring	SZMI35	Modules	
Plastic spare hold down Spring	6.73.00.61.4		

(1) Only ZMI4GA is UL approved

Specifications are subject to change without notice. Pictures are just an example. For special features and/or customization, please ask to our sales network. 121109

Optional Springs for ZMI series, ZR08 and ZDM14A

SZMI 36M



General data

Spring material

Stainless steel

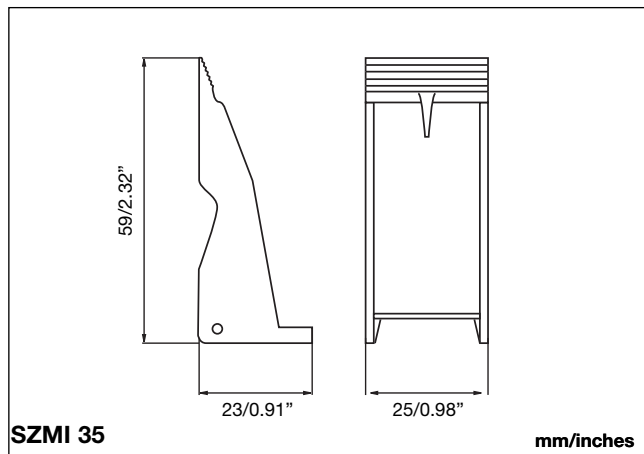
Packaging

Box content: 1 plastic bag, 10pcs.

Weight: ~5g (0.18oz)



SZMI 35



General data

Spring material

PA66 + GF (V0)

Spring colour

RAL 7035 / Pantone 1C

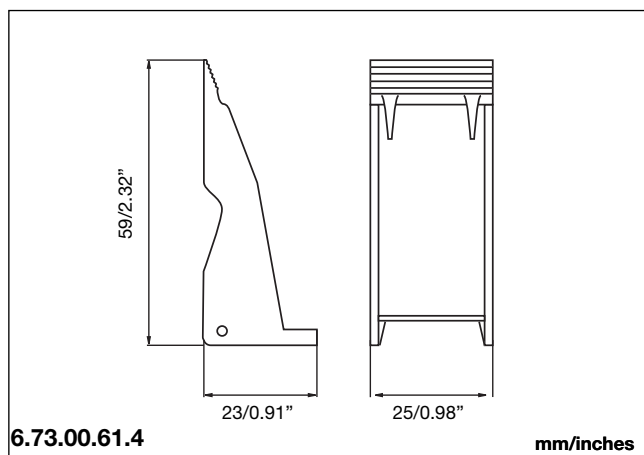
Packaging

Box content: 1 plastic bag, 10pcs.

Weight: ~20g (0.70oz)



6.73.00.61.4



General data

Spring material

PA6 + GF (V2)

Spring colour

RAL 7035 / Pantone 1C

Packaging

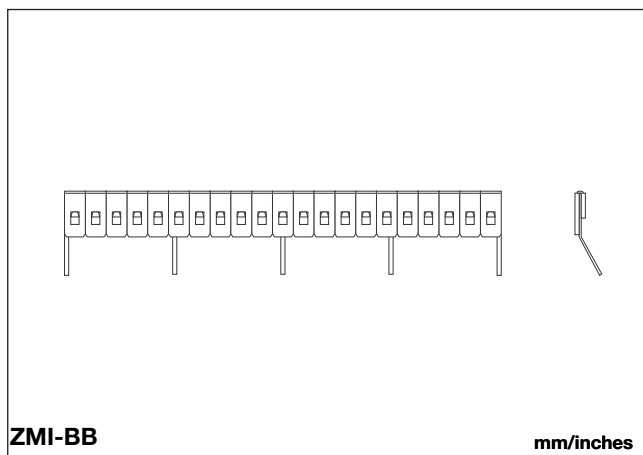
Box content: 1 plastic bag, 10pcs.

Weight: ~20g (0.70oz)



Optional sockets bridging bars

ZMI-BB



General data

Plastic insulator material	PA66 + GF (V0)
Plastic insulator colour	Black
Metal jumper	Tinned copper

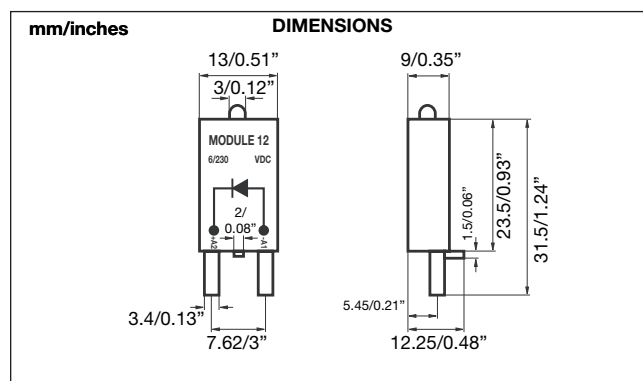
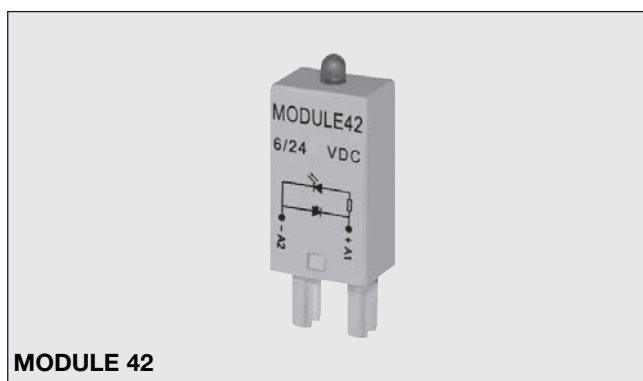
Packaging

Box content: 1 plastic bag, 10pcs.
Weight: ~50g (~1.76oz)



Optional Function Modules

Modules for ZMI and ZD sockets



Approvals



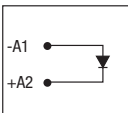
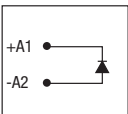
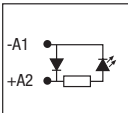
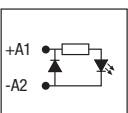
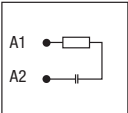
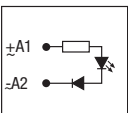
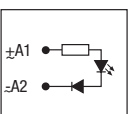
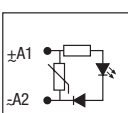
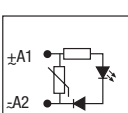
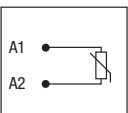
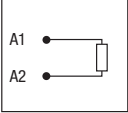
General data

Module material	PA66+GF (V0)
Module colour	RAL 7035 / Pantone 1C

Packaging

Box content: 1 bag, 100pcs.
Box size: W 160 x D 70 x H 80 mm Weight: ~350g
(W 6.30 x D 2.75 x H 3.15) inches Weight: ~12.3oz

Types and electrical configurations

Diagram	Type	Description	Operating voltage	LED Colour	Ordering code		Notes
					ZMI, ZD, ZDM Sockets	ZPD9, ZPD11	
	12	Free wheeling diode A2 +	6 / 230VDC	n.a.	MODULE12	MODULE11	
	22	Free wheeling diode A1 +	6 / 230VDC	n.a.	MODULE22	MODULE21	
	32	Free wheeling diode A2 +, with LED	6 / 24VDC	Red	MODULE32	n.a.	
			24 / 60VDC		MODULE32B		
			110 / 230VDC		MODULE32C		
			6 / 24VDC	Green**	MODULE32/G		
			24 / 60VDC		MODULE32B/G		
			110 / 230VDC		MODULE32C/G		
	42	Free wheeling diode A1 +, with LED	6 / 24VDC	Red	MODULE42		
			24 / 60VDC		MODULE42B		
			110 / 230VDC		MODULE42C		
			6 / 24VDC	Green**	MODULE42/G		
			24 / 60VDC		MODULE42B/G		
			110 / 230VDC		MODULE42C/G		
	52	RC Filter	110/240VAC	n.a.	MODULE52	MODULE51	
		RC Filter	6 / 24VAC		MODULE52B	MODULE51B	
		RC Filter	24 / 60VAC		MODULE52D	MODULE51D	
	62	Signalling LED	6 / 24V	Red	MODULE62	n.a.	
			92		24 / 60V		MODULE62E
					110 / 230V		MODULE92
	62	Signalling LED	6 / 24V	Green**	MODULE62/G		
			92		24 / 60V		MODULE62E/G
					110 / 230V		MODULE92/G
	62	Signalling LED, with Varistor	6 / 24V	Red	MODULE62C		
			92		24 / 60V	MODULE62D	
					110 / 230V	MODULE92C	
	62	Signalling LED, with Varistor	6 / 24V	Green**	MODULE62C/G		
			92		24 / 60V	MODULE62D/G	
					110 / 230V	MODULE92C/G	
	72	Varistor	6 / 24VAC	n.a.	MODULE72	MODULE71	
			82		115VAC	MODULE72A	MODULE71A
					230VAC	MODULE82	MODULE81
	102	Resistor	110 / 230VAC	n.a.	MODULE102	n.a.	

** Non standard devices normally not in stock and production upon request

Installation Operations

