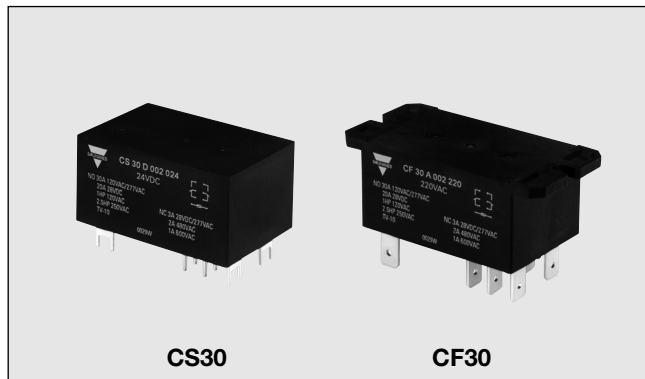


Power Relays Type CS30/CF30 Monostable



- Compressor control relay
- Switching capacity 30 A
- DC coils 6 to 110 VDC
- AC coils 24 to 277 VAC
- 2 normally open contacts, 2 change over contacts
- Reinforced insulation 4 KV / 8 mm
- Meets class F construction
- PCB or Fast-on terminal
- General purpose, power loads
- Standard as sealed
- UL, cUL and VDE

Product Description

Relay high power output. vending machines, and It is sealed designed for compressors load.

Ordering Key

C S30 A 002 12

Type _____
 Terminal version _____
 (S30= Soldering - F30= Fast-on)
 Coil version (A=AC - D=DC) _____
 Contact code _____
 Coil rated voltage _____

Type Selection

Contact configuration	Contact rating	Contact code
2 normally open contact (DPST {2-form A})	30 A	200
2 change over contact (DPDT {2-form C})	30 A	002

Coil Characteristics, DC (20°C), 1,7 W

Rated voltage	Pick-up voltage	Drop-out voltage	Max. allowable voltage	Coil resistance
VDC	VDC	VDC	VDC	$\Omega \pm 10\%$
6	4.5	0.6	6.6	22
12	9.0	1.2	13.2	86
24	18.0	2.4	26.4	350
48	36.0	4.8	52.8	1390
110	83.0	11.0	121.0	7255

Coil Characteristics, AC (20°C), 4 VA

Rated voltage	Pick-up voltage	Drop-out voltage	Max. allowable voltage	Coil resistance
VAC	VAC	VAC	VAC	$\Omega \pm 10\%$
24	19.2	4.8	26.4	39
120	96.0	24.0	132.0	950
240	192.0	48.0	264.0	3800
277	221.6	55.4	304.7	5485

Contact Characteristics

	200	002	
	(NO)	(NO)	(NC)
UL rating	30 A - 120/277 VAC 2 HP - 250 VAC TV 10	20 A - 28 VDC / 227VAC 2 HP - 250 VAC TV 10	1 HP - 120 VAC 2 HP - 250 VAC TV 10
Contact rating	30 A - 120/270 VAC	20 A - 28 VDC / 227 VAC	3 A - 28 VDC/277 VAC
Material	Ag SnO	Ag SnO	Ag SnO
Initial contact resistance	50 m Ω max. (1A-6VDC)	50 m Ω max. (1A-6VDC)	50 m Ω max. (1A-6VDC)
Current	30 A	30 A	30 A
Max. switching current	8.310 VA / 840 W	8.310 VA / 840 W	8.310 VA / 840 W
Max. switching power			
Voltage	277 VAC	277 VAC	277 VAC
Max. switching voltage			
Life	1 x 10 ⁵ ops/min. 5 x 10 ⁶ ops/min.	1 x 10 ⁵ ops/min. 5 x 10 ⁶ ops/min.	1 x 10 ⁵ ops/min. 5 x 10 ⁶ ops/min.
Electrical life			
Mechanical life			

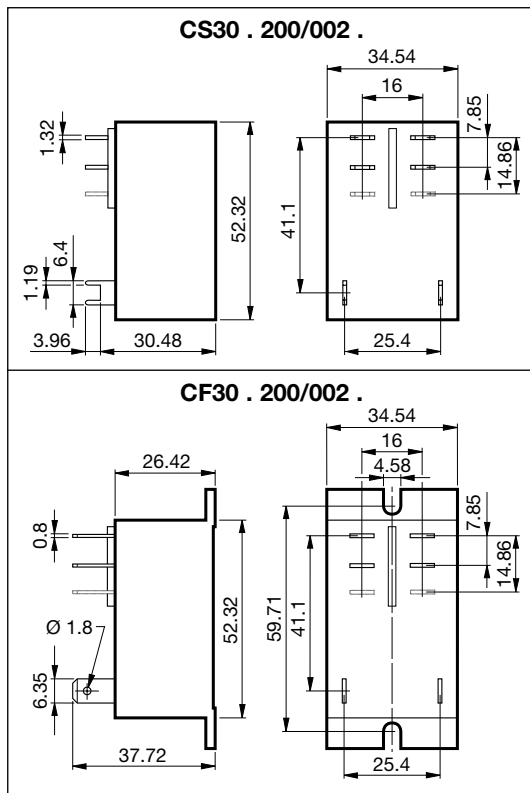
Insulation

Test voltage (1 min.) Open contacts Contacts/coil Contact/poles	4000 Vrms	Surge voltage Contacts/coil	10000 VAC
	1500 Vrms	Initial insulation resistance at 500 VDC	1000 MΩ
	2000 Vrms		

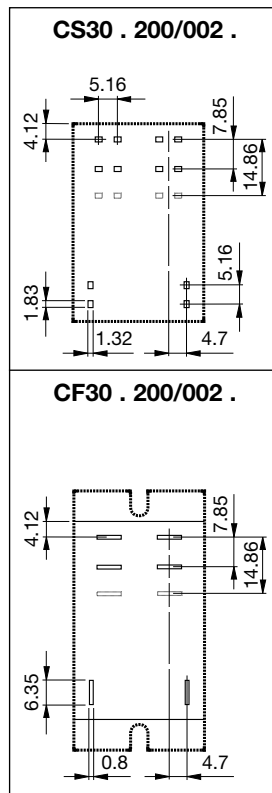
General Data

Operate time at nom. voltage	15 ms	Temperature rise	AC	85 °C max.
Release time at nom. voltage	10 ms		DC	60 °C max.
Ambient temperature	AC	Shock resist.	Malfunction	100 m/s ² (10 G)
	DC		Mechanical	1000 m/s ² (10 G)
Vibration resistance	1.65 mm p.p. 10 to 55 Hz	Humidity	35% to 85% , 40 °C	
		Weight	~ 86 g	
		Enclosure	Dust cover sealed	

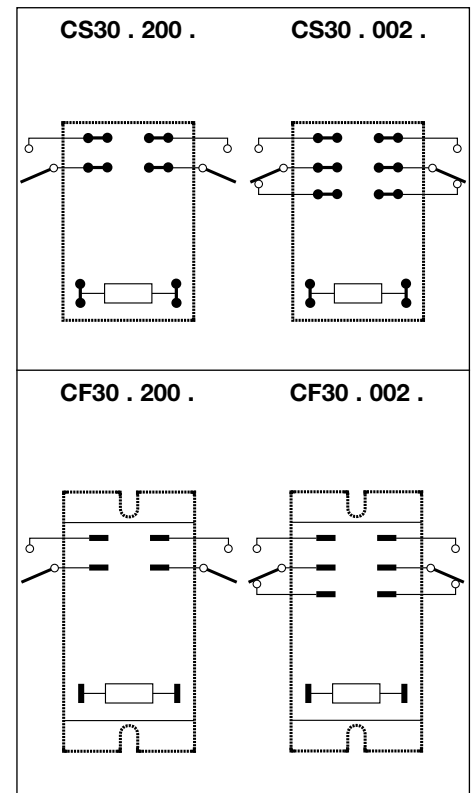
Dimensions



Pin View

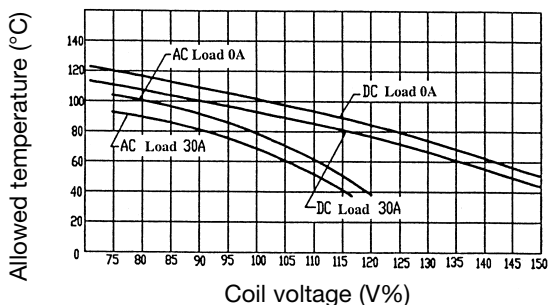


Wiring Diagram



Diagrams

1 Ambient temperature



Approvals



The approvals stated are not generally applicable to all relay versions of a particular type.