

Proximity Magnetic Sensors Rectangular Housing SPB2 Series



- Block plastic housing
- Bistable output function
- Side shielded
- Easy and fast mounting procedure

Product Description

The SPB2 and SPB22MT models are shielded laterally in order to reduce magnetic interferences when mounted side by side with other sensors.

The fixing kit delivered with the sensor, includes two nuts and washers. Greatly simplifying the mounting procedure.

Ordering Key

SP B 2

Type _____
 Output function _____
 Reed contact type _____

Type Selection

<u>Housing dimensions</u>	<u>Connection</u>	<u>Output function</u>	<u>Reference</u>
85 x 24 x 25.5	Faston	Bistable	SP B 2
85 x 24 x 25.5	Cable L= 2m	Bistable	SP B 2 2MT

Dimensions are specified in millimeters (mm)

Output Specifications

Output	Bistable
Contact ratings	
Max Switching Voltage	250 VAC
Max Switching Current	3 A
Max Switching Power	100 VA

General Specifications

Operating distance	See Operating Distance table
Suitable magnetic unit	See Operating Distance table
Ambient temperature Operating	-25 to +75 °C
Environment	
Degree of protection	
SPB2	IP 65
SPB22MT	IP 67
Housing	
Dimensions	85 x 24 x 25.5 mm
Material	Plastic
CE-marking	Yes

Operating Distance

Magnetic Units	CL2	CL3	CL4	CL10	CL11	CL18	CL20S1	CL20S3	CL23	CL31
SPB2, SPB22MT	5*	15*	30*	15**	30**	14**	30**	29**	18**	28**

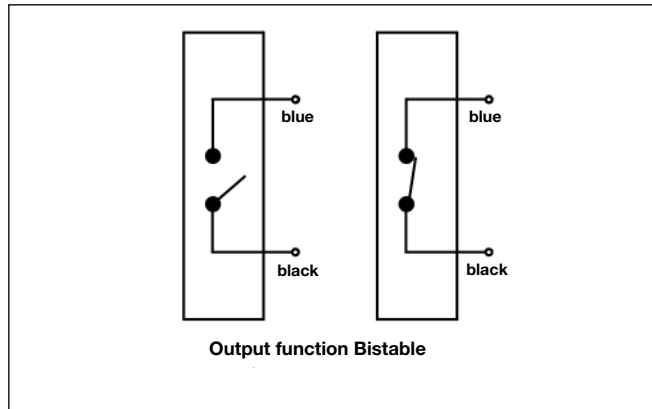
Distances are specified in millimeters (mm)

xx/xx: operating distance (for all Output functions).

* the magnetic unit must be installed perpendicular to the switch longitudinal axis.

** the magnetic unit must be installed perpendicular to the switch upper surface.

Wiring Diagrams



Dimensions

