

MULTIBLOC® 000.RST8

Size 000, 100A, 690VAC, Design for bus bar installation, Triple Pole

NH Fuse Switch Disconnecter

The production programme of MULTIBLOC® 000.RST9 comprises NH fuse switch disconnectors for 100A.

Products are designed in triple pole units for direct installation on to 60 mm bus bar systems.

For installation of MULTIBLOC® NH fuse switch disconnectors of different sizes in distribution units with central cover, respective covers are used to obtain a uniform profile in height and length.

MULTIBLOC® size 00 are designed for NH fuse-links in accordance with IEC/EN 60269-2, VDE 0636-2, size 000: 100A.

The system is a modular system, which allows the installation and combination of individual components. MULTIBLOC® offers the user the possibility of fast and easy installation as well as a high degree of security during installation and maintenance.

Features Benefits

- Touch protection IP 20
- Padlocking and sealing facility
- Width of switch 54 mm
- Cable termination: frame clamp 2,5 - 50 mm²
- For 60 mm bus bar systems
- Universally useable for bus bars with thickness of 5-10 mm and widths of 12–30 mm
- Indicating switch for switch door position - optional
- Cover shroud for cable termination - optional

Applications

- House incoming units
- Meter distribution units
- Measuring transformer cabinets
- Transmitting stations for telecommunications

Technical data overview

Volt (VAC)	690 VAC
Volt (VDC)	440 VDC
Amper (A)	100 A
Size per Standard	000
Mounting	bus bar installation
SCCR	Ue = AC 400 V; Ie = 100 A 80kA Ue = AC 690 V; Ie = 100 A 80kA
Switchability	triple pole switching



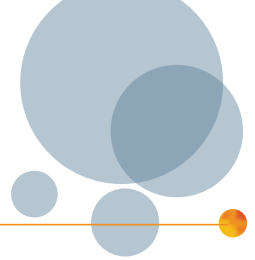
Standards

IEC/EN 60 947-3
For NH-fuse links size 000 in accordance with IEC/EN 60 269-2, VDE 0636-2



MULTIBLOC® 000.RST8

Size 000, 100A, 690VAC, Design for bus bar installation, Triple Pole



Product range



1.002.571

MULTIBLOC® 000.RST8 size 000 100 A, 690 V AC bus bar installation, triple pole

Catalog number	Reference number	Poles	Cable termination components	Weight kg ¹⁾	Package
1.002.571	L1002166	3	3 frame clamps 2,5-50 mm ² bottom terminal	0.60	1 piece
1.002.572	L1023050	3	3 frame clamps 2,5-50 mm ² top terminal	0.62	1 piece

Technical data in accordance with EN / IEC 60947

	000.RST8 triple pole
Installation mode	bus bar installation
Size	000
Number of poles/phases	3
Conventional free air thermal current with NH-fuse links I _n	100 A
Max. power dissipation of fuse links P _n	7,5 W
Utilization category to IEC/EN 60947-3 U _e = AC 690 V; I _e = 100 A U _e = DC 440 V; I _e = 100 A	AC 22 B DC 21 B
Rated operational voltage U _e	690 V
Rated insulation voltage U _i	1000 V
Rated impulse withstand voltage U _{imp}	6 kV
Rated frequency	50 ... 60 Hz
Degree of protection	IP 20
Degree of pollution	3
Rated duty	uninterrupted duty

Cable terminal connection

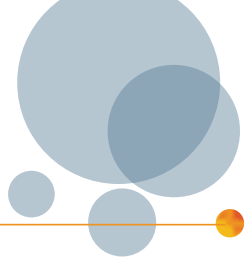
Bus bar terminal connection

Bus bar system	60 mm
Bus bar width (bus bar system = 60 mm)	12 ... 30 mm
Bus bar thickness (bus bar system = 60 mm)	5 ... 10 mm

1) weight in kg per piece or set including package

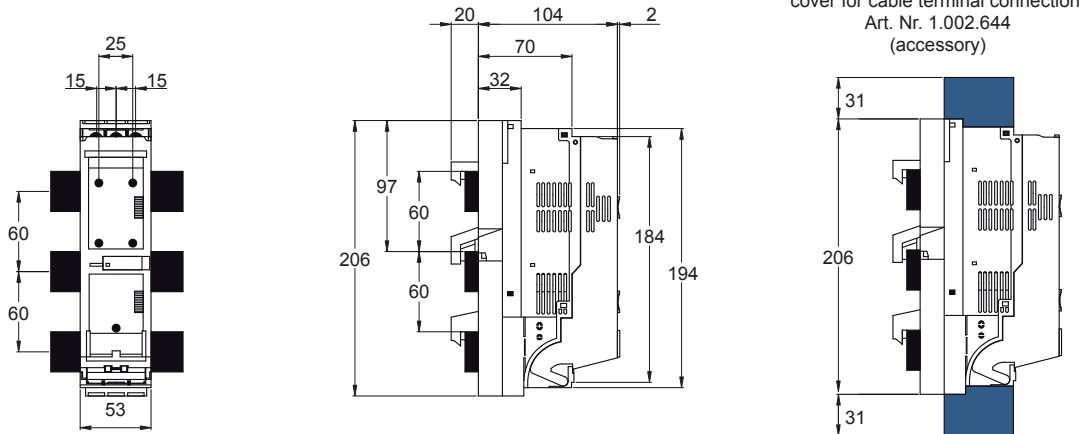
MULTIBLOC® 000.RST8

Size 000, 100A, 690VAC, Design for bus bar installation, Triple Pole



Dimensions

MULTIBLOC® 000.RST8 NH-fuse switch disconnecter triple pole design for bus bar installation (M02047)



Dimensions in mm

Accessories



1.002.644

Cover/shrouds for cable termination

Catalog number	Reference number	Design	Weight kg ¹⁾	Package
1.002.644	N1022983	cover for cable terminal connection, 1 set = 2 pieces	0.07	1 set



1.002.643

Indication facilities

Catalog number	Reference number	Design	Weight kg ¹⁾	Package
1.002.643	T1022988	indicator for switch door position micro switch 1 change-over contact 5 A, 250 V for MULTIBLOC® 000.RST8 1 set = 3 pieces	0.01	1 piece

1) weight in kg per piece or set including package