

**ebm-papst St. Georgen GmbH & Co. KG**

Hermann-Papst-Str. 1
 D-78112 St. Georgen
 Phone +49 (0) 7724 81-0
 Fax +49 (0) 7724 81-1309
 info2@de.ebmpapst.com
 www.ebmpapst.com

Nominal data

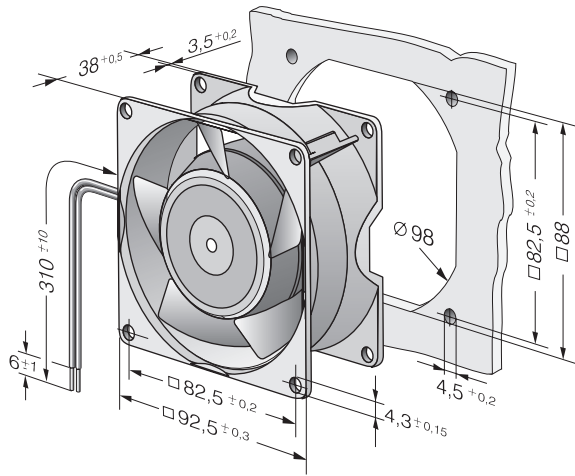
| Type | 3550 | |
|--------------------------|-------------------|------|
| Phase | | 1~ |
| Nominal voltage | VAC | 230 |
| Frequency | Hz | 50 |
| Speed (rpm) | min ⁻¹ | 2300 |
| Power consumption | W | 8.5 |
| Min. ambient temperature | °C | -10 |
| Max. ambient temperature | °C | 80 |
| Air flow | m ³ /h | 67 |
| Sound power level | B | 4.4 |
| Sound pressure level | dB(A) | 32 |

ml = Max. load · me = Max. efficiency · fa = Free air · cs = Customer specification · ce = Customer equipment
 Subject to change

Technical description

| | |
|--|--|
| Weight | 0.420 kg |
| Dimensions | 92 x 92 x 38 mm |
| Impeller material | Sheet steel, painted black |
| Housing material | Die-cast aluminum |
| Part no. | 9244014721 |
| Airflow direction | Exhaust over struts |
| Direction of rotation | Clockwise, viewed toward rotor |
| Bearing | Sintec sleeve bearing |
| Service life L10 at 40 °C | 60000 h |
| Service life L10 at maximum temperature | 25000 h |
| Cable | With 2 leads AWG 18, TR 64 Grounding lug M4 x 8 |
| Motor protection | Protected from overload by impedance protection |
| Approval | VDE, CSA, UL, CE |

Product drawing



Curves: Air performance

