

# MULTIBLOC® 1.RST8

Size 1, 250A, 690VAC, Design for bus bar installation, Triple Pole

## NH Fuse Switch Disconnecter

The production programme of MULTIBLOC® 1.RST9 comprises NH fuse switch disconnectors for 250A.

Products are designed in triple pole units for direct installation on to 40 mm and 60 mm bus bar systems.

For installation of MULTIBLOC® NH fuse switch disconnectors of different sizes in distribution units with central cover, respective covers are used to obtain a uniform profile in height and length.

MULTIBLOC® size 1 are designed for NH fuse-links in accordance with IEC/EN 60269-2, VDE 0636-2, size 1: 250A.

The system is a modular system, which allows the installation and combination of individual components. MULTIBLOC® offers the user the possibility of fast and easy installation as well as a high degree of security during installation and maintenance.

### Features Benefits

- Touch protection IP 20 - when fuse link is in test mode IP rating is maintained
- Padlocking and sealing of switch door cover - optional
- Parking position of switch operating cover even with fuse-links inserted
- Indicating switch for switch door position - optional
- Electronic or electro-mechanic fuse monitoring - optional
- Cover for touch protection for direct installation on to bus bar systems - optional
- Varieties of cable termination: screw, bolt, clamp strap, extendable for V-terminal - optional
- Direct installation on to bus bar (snap on)
- Switch can still be adjusted after being snapped on to bus bars and fixed after adjustment
- Universally useable for bus bars with thickness of 5 and 10 mm and widths of 12–30 mm
- For 40 and 60 mm bus bar systems
- Symmetrical switch - suitable for bottom/top cable terminal connections

### Applications

- Panel boards for industrial use
- Feeder pillars for industrial use
- Meter distribution units
- Measuring transformer cabinets
- Transmitting stations for telecommunications

### Technical data overview

Volt (VAC)	690 VAC
Volt (VDC)	440 VDC
Amper (A)	250 A
Size per Standard	1
Mounting	bus bar installation
SCCR	Ue = AC 400 V; Ie = 250 A 80kA Ue = AC 500 V; Ie = 250 A 80kA Ue = AC 690 V; Ie = 200 A 50kA (3-,4-pole)
Switchability	triple pole switching



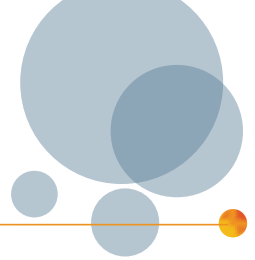
### Standards

IEC/EN 60 947-3  
For NH-fuse links size 1 in accordance with IEC/EN 60 269-2, VDE 0636-2



# MULTIBLOC® 1.RST8

Size 1, 250A, 690VAC, Design for bus bar installation, Triple Pole



## Product range



1.000.323



1.003.134



1.000.855

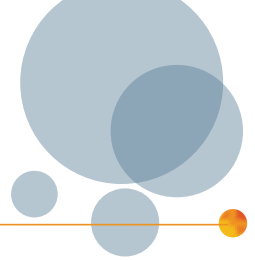
### MULTIBLOC® 1.RST8 size 1 250 A, 690 V AC bus bar installation, triple pole

Catalog number	Reference number	Poles	Cable termination components	Design	Weight kg <sup>1)</sup>	Package
1.000.323	T229879	3	3 M10 terminal screws	-	3.09	1 piece
1.001.294	Q1023054	3	3 clamp straps 70–150 mm <sup>2</sup>	-	3.06	1 piece
1.003.134	R1023055	3	3 M10 terminal screws	with electronic fuse monitoring ESÜ installed	3.14	1 piece
1.000.855	M1023051	3	3 M10 terminal screws	with electro-mechanic fuse monitoring MZS installed (galvanic isolation)	3.80	1 piece
1.000.936	P1023053	3	6 M10 terminal screws	main incomer	4.68	1 piece

1) weight in kg per piece or set including package

# MULTIBLOC® 1.RST8

Size 1, 250A, 690VAC, Design for bus bar installation, Triple Pole



## Technical data in accordance with EN / IEC 60947

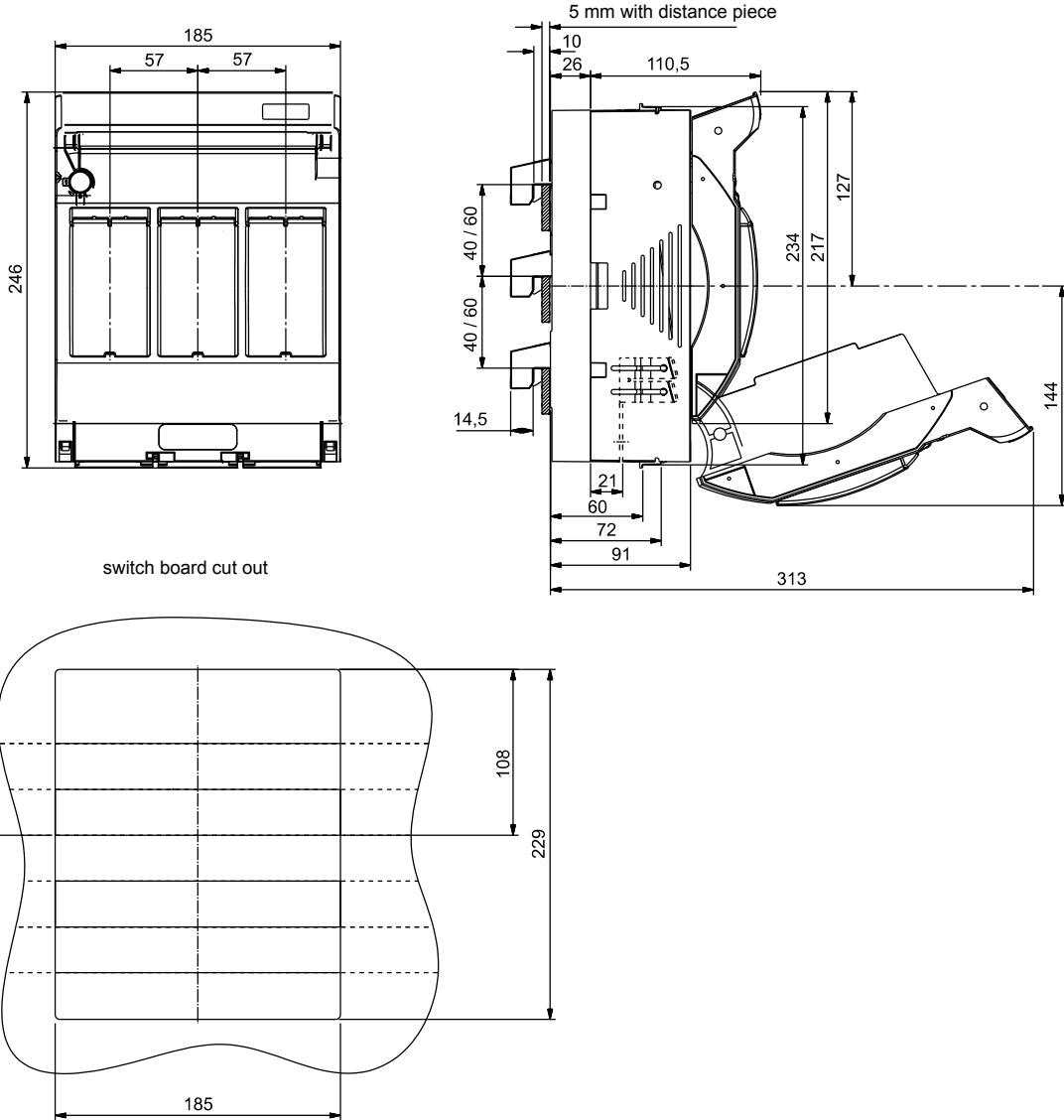
	<b>1.RST8 triple pole</b>
Installation mode	bus bar installation
Size	1
Number of poles/phases	3
Conventional free air thermal current with NH-fuse links $I_{th}$	250 A
Max. power dissipation of fuse links $P_n$	23 W
Conventional free air thermal current with solid links $I_{th}$	400 A
Max. power dissipation of solid links $P_n$	2,6 W
Utilization category to IEC/EN 60947-3 $U_e = AC 400 V; I_e = 250 A$ $U_e = AC 500 V; I_e = 250 A$ $U_e = AC 690 V; I_e = 200 A$ $U_e = DC 440 V; I_e = 250 A$	AC 23 B AC 22 B AC 21 B DC 21 B
Rated operational voltage $U_e$	690 V
Rated insulation voltage $U_i$	1000 V
Rated impulse withstand voltage $U_{imp}$	12 kV
Rated frequency	50 ... 60 Hz
Degree of protection	IP 20
Degree of pollution	3
Rated duty	uninterrupted duty
Rated short circuit making capacity with solid links $I_{cm}$	8.2 kAsw
Rated short circuit making capacity with fuse links $U_e = AC 400 V; I_e = 250 A$ $U_e = AC 500 V; I_e = 250 A$ $U_e = AC 690 V; I_e = 200 A$	80 kA 50 kA 50 kA
Rated short circuit withstand current $I_{cw}$	8 kA / 1 s
Power dissipation by $I_{th}$ without NH-fuse links	28 W
<b>Cable terminal connection</b>	
Standard cable terminal	M10
for cable lugs Cu max.	2 x 150 mm <sup>2</sup>
for cable lugs Al max.	2 x 185 mm <sup>2</sup>
for copper bars with max. dimensions	30 x 10 mm
<b>Bus bar terminal connection</b>	
Bus bar system	40 mm 60 mm
Bus bar width (bus bar system = 40 mm)	12 mm
Bus bar thickness (bus bar system = 40 mm)	5 ... 10 mm
Bus bar width (bus bar system = 60 mm)	12 ... 30 mm
Bus bar thickness (bus bar system = 60 mm)	5 ... 10 mm

# MULTIBLOC® 1.RST8

Size 1, 250A, 690VAC, Design for bus bar installation, Triple Pole

## Dimensions

MULTIBLOC® 1.RST8 NH-fuse switch disconnecter triple pole design for bus bar installation (M01123a)



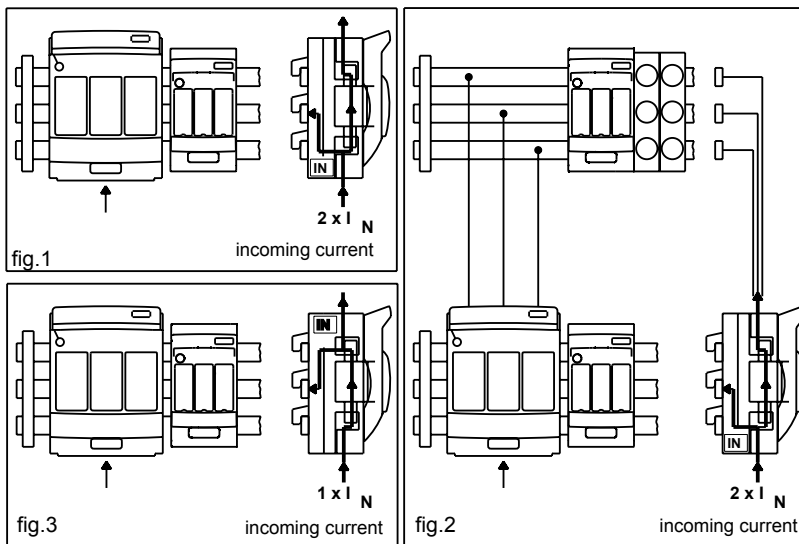
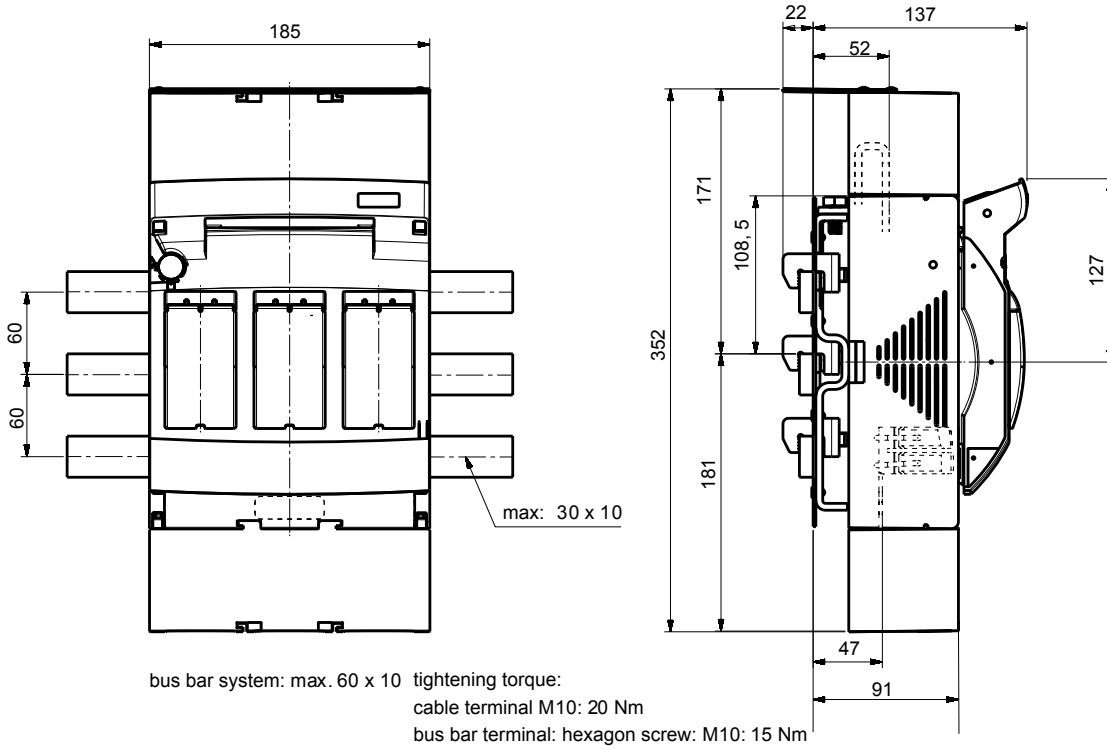
Dimensions in mm

# MULTIBLOC® 1.RST8

Size 1, 250A, 690VAC, Design for bus bar installation, Triple Pole

## Dimensions

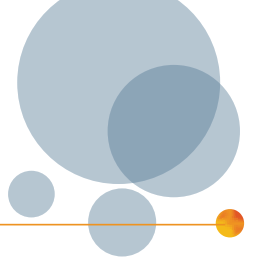
MULTIBLOC® main incomer size 1 (M01167-1)



Dimensions in mm

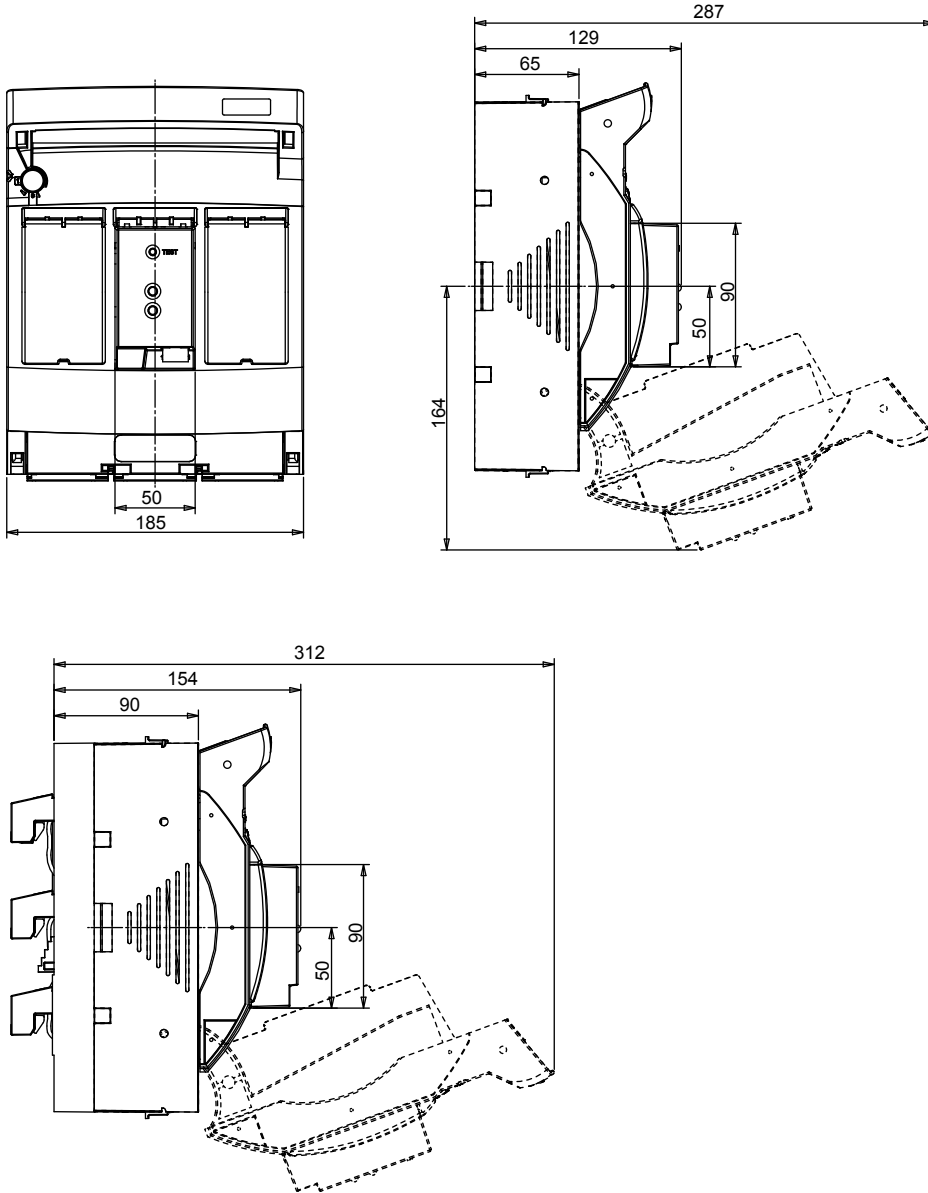
# MULTIBLOC® 1.RST8

Size 1, 250A, 690VAC, Design for bus bar installation, Triple Pole



## Dimensions

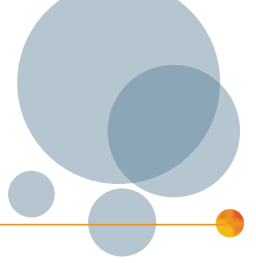
MULTIBLOC® 1.ST8 and 1.RST8 triple pole with electronic fuse monitoring ESÜ (M01174-1)



Dimensions in mm

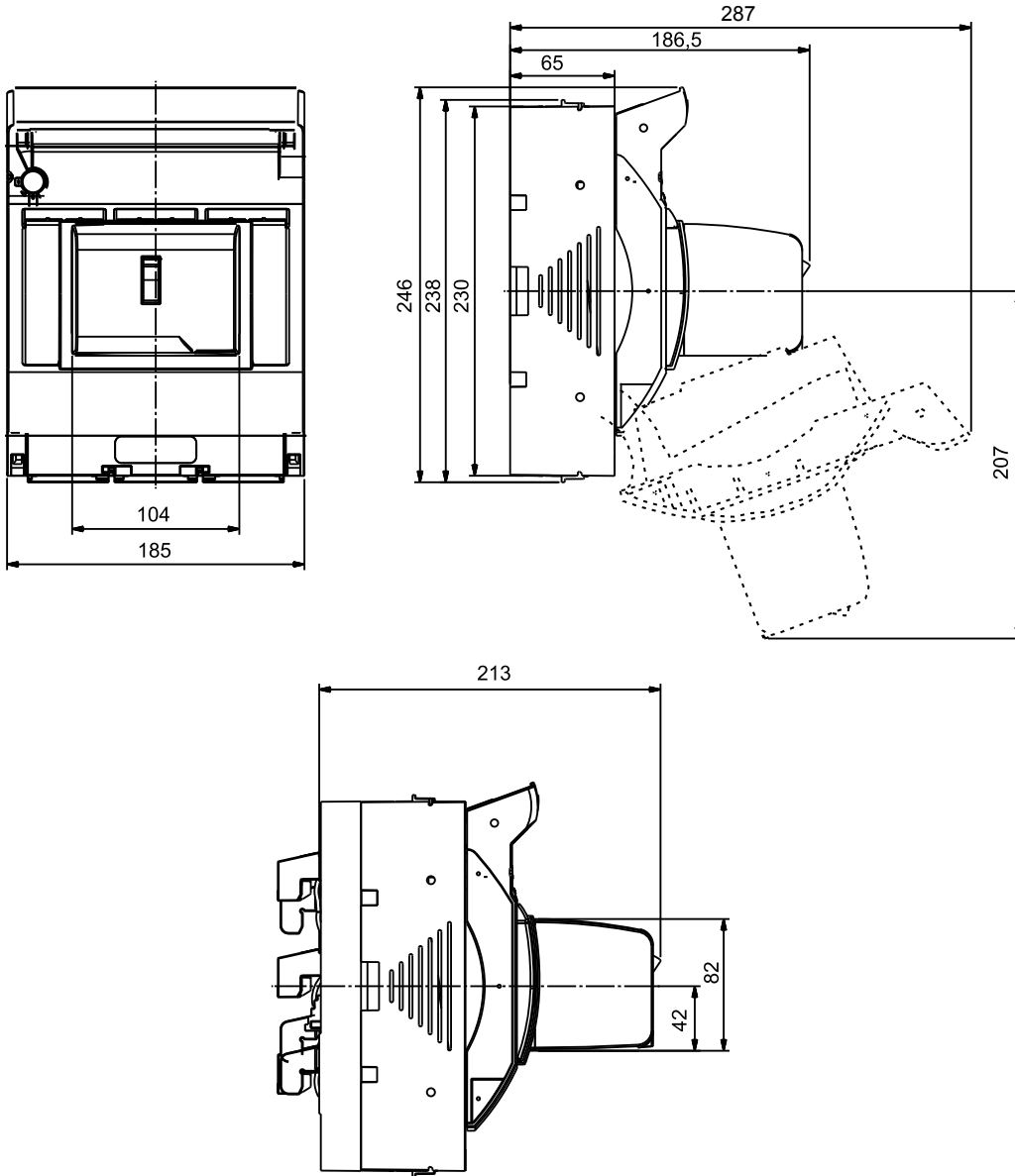
# MULTIBLOC® 1.RST8

Size 1, 250A, 690VAC, Design for bus bar installation, Triple Pole



## Dimensions

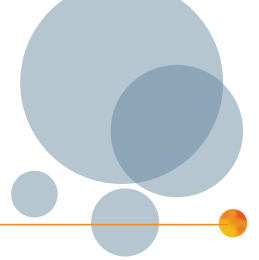
MULTIBLOC® 1.ST8 and 1.RST8 triple pole with electro-mechanic fuse monitoring MZS (M01135-1)



Dimensions in mm

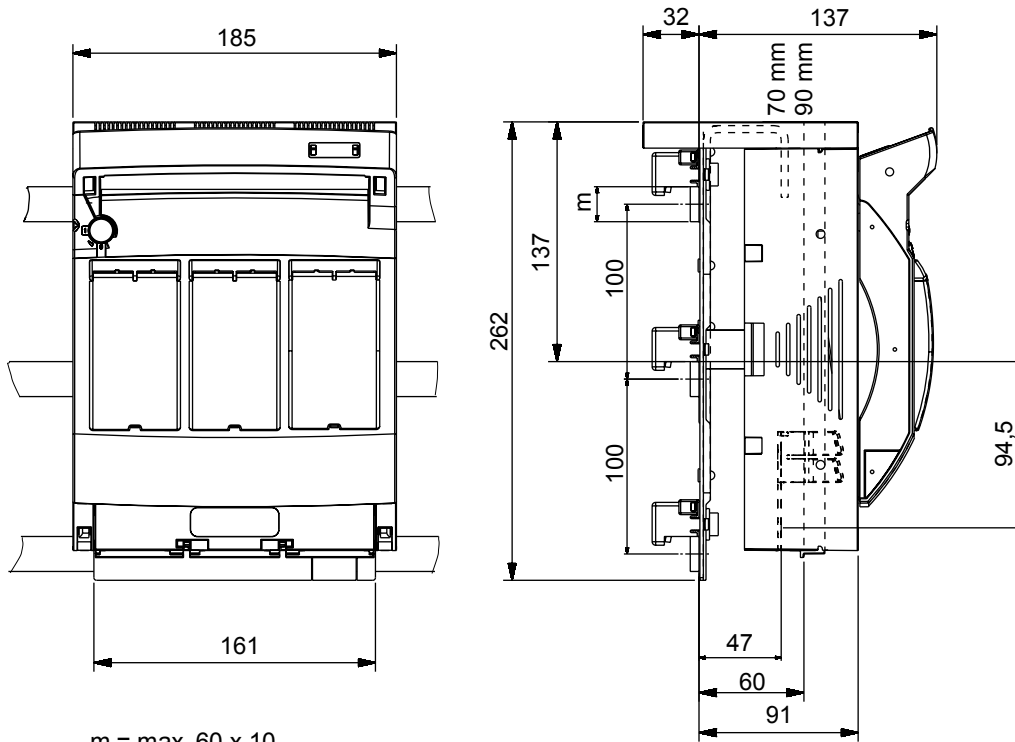
# MULTIBLOC® 1.RST8

Size 1, 250A, 690VAC, Design for bus bar installation, Triple Pole



## Dimensions

MULTIBLOC® bus bar adapter with clamp terminal for 1.ST8 (M01151a-1)



m = max. 60 x 10

tightening torque: M10: 25 Nm  
M8: 15 Nm

Dimensions in mm



# MULTIBLOC® 1.RST8

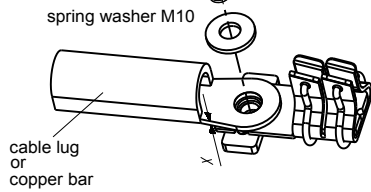
Size 1, 250A, 690VAC, Design for bus bar installation, Triple Pole

## Dimensions

### Cable termination size 1 (MA 98e-1)

screw terminal:  
(standard)

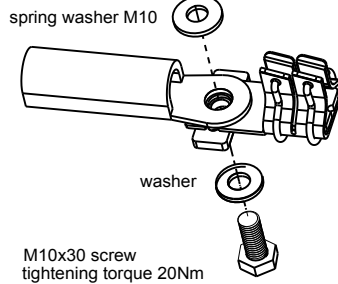
M10x20 screw  
tightening torque 20Nm



size. 1: for values x smaller than 2.5 mm  
use washer in addition

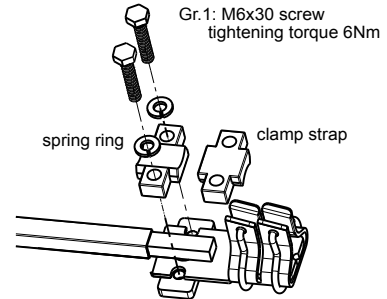
bolt terminal:  
(standard)

M10 nut  
tightening torque 20Nm



M10x30 screw  
tightening torque 20Nm

terminal: clamp strap:  
(option/accessory)



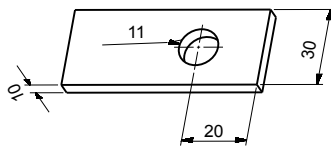
Gr.1: M6x30 screw  
tightening torque 6Nm

screw and bolt terminal for

cable lugs:

size. 1:	DIN 46234 max. 150mm <sup>2</sup>
	DIN 46235 max. 150mm <sup>2</sup>
	DIN 46329 max. 185mm <sup>2</sup>

copper bars:

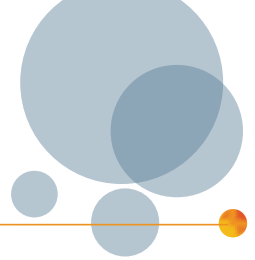


size 1:  
for round stranded conductors 70-150mm<sup>2</sup>  
for bars or laminated copper 18 x 7-18

Dimensions in mm

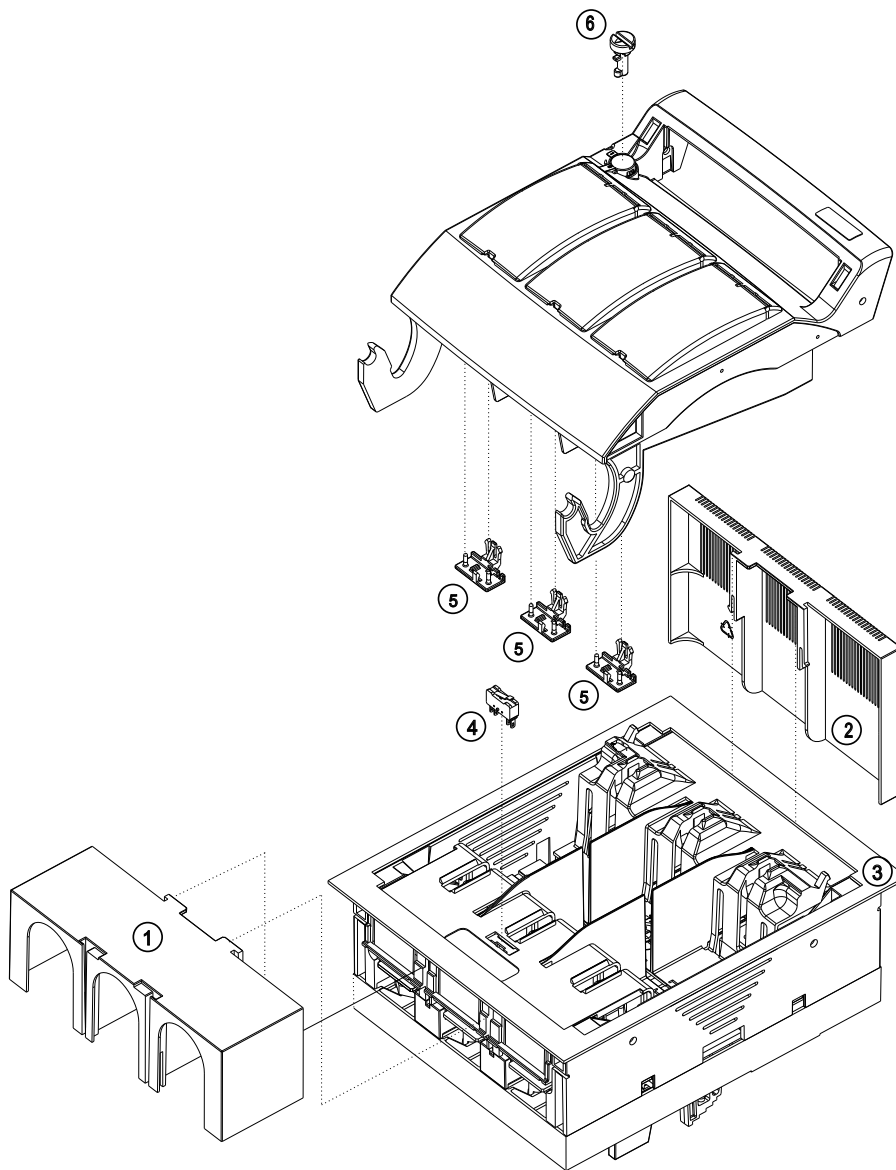
# MULTIBLOC® 1.RST8

Size 1, 250A, 690VAC, Design for bus bar installation, Triple Pole



## Exploded sketch

MULTIBLOC® 1.RST8 NH- fuse switch disconnecter triple pole design for bus bar installation (E 1.000.408)

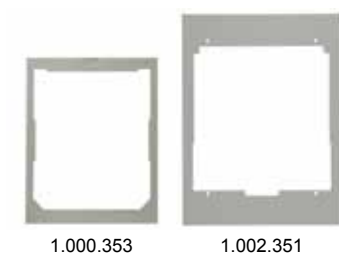


no.	articlenumber	short description
1	1.000.382	Cover for cable termination triple pole
2	1.003.329	bus bar touch protection
3	1.000.353	Cover shield, 210 x 260 mm
4	1.000.852	indicator for switch door position
5	1.000.150	Locking device f. windows,1 Set=3 pieces
6	1.000.155	Cover sealing device, installation set

# MULTIBLOC® 1.RST8

Size 1, 250A, 690VAC, Design for bus bar installation, Triple Pole

## Accessories



### Cover shields

Catalog number	Reference number	Design	Weight kg <sup>1)</sup>	Package
1.000.353	Z229884	cover shield for installation in distribution units size (width x height): 210 x 260 mm for one 1.ST8/1.RST8 triple pole	0.07	1 piece
1.002.351	X1022968	cover shield for installation in distribution units size (width x height): 230 x 283 mm for one 1.ST8/1.RST8 triple pole	0.09	1 piece



### Cover/shrouds for cable termination

Catalog number	Reference number	Design	Weight kg <sup>1)</sup>	Package
1.003.329	G1023115	bus bar touch protection for 1.RST8	0.06	1 piece



### Indication facilities

Catalog number	Reference number	Design	Weight kg <sup>1)</sup>	Package
1.000.852	Q1002285	indicator for switch door position micro switch, 1 change-over contact 5 A, 250 V	0.00	1 piece



### Locking and sealing devices/cover sealing device

Catalog number	Reference number	Design	Weight kg <sup>1)</sup>	Package
1.000.155	L229297	cover sealing device-installation set for 00.ST8 1-, 2-, 4-pole and 1.ST8/RST8	0.01	1 piece



### Locking and sealing devices/locking device for window

Catalog number	Reference number	Design	Weight kg <sup>1)</sup>	Package
1.000.150	K229296	locking device for window for 00.ST8 1-, 2-, 4-pole and 1./2.ST8/RST8 1 set = 3 pieces	0.01	1 set



### Varieties of cable termination

Catalog number	Reference number	Design	Weight kg <sup>1)</sup>	Package
1.000.420	E229889	clamp strap 70–150 mm <sup>2</sup> for 1.ST8 1- 4-pole + 1.RST8, 1 set = 3 pieces	0.10	1 set
1.001.830	J1023117	V-shaped lug size 1, M8, for V-terminal clamp size 1 for 1.ST8 1- to 4-pole + 1.RST8, supplementary set for V-terminal with use of V-clamps 1 set = 3 pieces	0.09	1 set

1) weight in kg per piece or set including package