

IEC Low Voltage General Purpose Protection

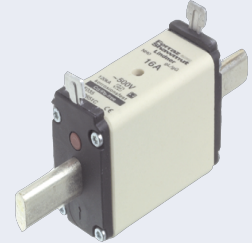
NH fuse-links Plain blades

Sizes 000 to 3 gG 690VAC SGL from 2 to 425A

The NH system is classified among plug-in fuse systems and is composed of:

- fuse-base, (possibly including terminal covers and phase barriers)
- fuse-link with blade contact
- fuse-link replacement device (LV HRC fuse puller)

Since the design of this system cannot guarantee non-interchangeability of rated current, it must be handled by a qualified professional.



Benefits

Dimensions according to DIN 43 620
Parts 1 to 4 standard

Isolated metal gripping lugs (SGL)

Double indicator

Lead free contact blades

Applications

gG: general purpose cable and line protection

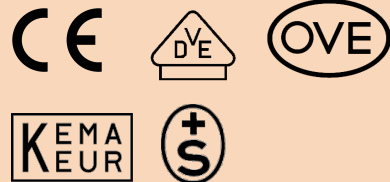


Approvals

DIN 57636 Part 201

VDE 0636 Part 201

IEC 60269-1 and -2



Related products

Fuse-holders: NH fuse bases

NH fuse switch disconnectors

IEC Low Voltage General Purpose Protection

NH fuse-links Plain blades

Sizes 000 to 3 gG 690VAC SGL from 2 to 425A



Sizes 000 to 0

Size	Rated Voltage (V)	Nominal Current (A)	Watts Loss @ 100% In (W)	Previous reference	Catalog Number	Reference Number	Weight (g)	Pack.
000	690	2	1.9	1G613.	NH000GG69V2-1	D229704	140	3
000	690	4	1.5	1G619.	NH000GG69V4-1	E229705	140	3
000	690	6	1.6	1G623.	NH000GG69V6-1	F229706	140	3
000	690	10	1.1	1G631.	NH000GG69V10-1	H229708	140	3
000	690	16	1.8	1G635.	NH000GG69V16-1	J229709	140	3
000	690	20	2.3	1G637.	NH000GG69V20-1	K229710	140	3
000	690	25	2.4	1G639.	NH000GG69V25-1	L229711	140	3
000	690	32	3.1	1G643.	NH000GG69V32-1	M229712	140	3
000	690	35	3.0	1G645.	NH000GG69V35-1	N229713	140	3
000	690	40	3.7	1G647.	NH000GG69V40-1	P229714	140	3
000	690	50	4.1	1G651.	NH000GG69V50-1	Q229715	140	3
000	690	63	5.4	1G655.	NH000GG69V63-1	R229716	140	3
000	690	80	6.5	1G659.	NH000GG69V80-1	S229717	140	3
00	690	32	3.1	1G743.	NH00GG69V32-1	T229718	200	3
00	690	35	3.0	1G745.	NH00GG69V35-1	V229719	200	3
00	690	40	3.7	1G747.	NH00GG69V40-1	W229720	200	3
00	690	50	4.1	1G751.	NH00GG69V50-1	X229721	200	3
00	690	63	5.6	1G755.	NH00GG69V63-1	Y229722	200	3
00	690	80	6.8	1G759.	NH00GG69V80-1	Z229723	200	3
00	690	100	7.5	1G763.	NH00GG69V100-1	A229724	200	3
00	690	125	10.0	1G765.	NH00GG69V125-1	B229725	200	3
0	690	6	1.6	1G023.	NH0GG69V6-1	C229726	260	3
0	690	10	1.1	1G031.	NH0GG69V10-1	D229727	260	3
0	690	16	1.8	1G035.	NH0GG69V16-1	E229728	260	3
0	690	20	2.3	1G037.	NH0GG69V20-1	F229729	260	3
0	690	25	2.4	1G039.	NH0GG69V25-1	G229730	260	3
0	690	32	3.1	1G043.	NH0GG69V32-1	H229731	260	3
0	690	35	3.0	1G045.	NH0GG69V35-1	J229732	260	3
0	690	40	3.7	1G047.	NH0GG69V40-1	K229733	260	3
0	690	50	4.1	1G051.	NH0GG69V50-1	L229734	260	3
0	690	63	6.6	1G055.	NH0GG69V63-1	M229735	260	3
0	690	80	8.0	1G059.	NH0GG69V80-1	N229736	260	3
0	690	100	9.4	1G063.	NH0GG69V100-1	P229737	260	3
0	690	125	11.8	1G065.	NH0GG69V125-1	Q229738	260	3
0	690	160	14.6	1G069.	NH0GG69V160-1	R229739	260	3

IEC Low Voltage General Purpose Protection

NH fuse-links Plain blades

Sizes 000 to 3 gG 690VAC SGL from 2 to 425A



Sizes 1 to 3

Size	Rated Voltage (V)	Nominal Current (A)	Watts Loss @ 100% In (W)	Previous reference	Catalog Number	Reference Number	Weight (g)	Pack.
1	690	16	1.8	1G135.	NH1GG69V16-1	S229740	290	1
1	690	20	2.3	1G137.	NH1GG69V20-1	T229741	290	1
1	690	25	2.4	1G139.	NH1GG69V25-1	V229742	290	1
1	690	32	3.1	1G143.	NH1GG69V32-1	W229743	290	1
1	690	35	3.0	1G145.	NH1GG69V35-1	X229744	290	1
1	690	40	3.7	1G147.	NH1GG69V40-1	Y229745	290	1
1	690	50	4.1	1G151.	NH1GG69V50-1	Z229746	290	1
1	690	63	6.6	1G155.	NH1GG69V63-1	A229747	290	1
1	690	80	8.0	1G159.	NH1GG69V80-1	B229748	290	1
1	690	100	9.4	1G163.	NH1GG69V100-1	C229749	290	1
1	690	125	11.8	1G165.	NH1GG69V125-1	D229750	420	1
1	690	160	14.6	1G169.	NH1GG69V160-1	E229751	420	1
1	690	200	18.0	1G171.	NH1GG69V200-1	F229752	420	1
1	690	224	19.0	1G173.	NH1GG69V224-1	G229753	420	1
2	690	32	3.1	1G243.	NH2GG69V32-1	J229755	430	1
2	690	35	3.0	1G245.	NH2GG69V35-1	K229756	430	1
2	690	40	3.7	1G247.	NH2GG69V40-1	L229757	430	1
2	690	50	4.1	1G251.	NH2GG69V50-1	M229758	430	1
2	690	63	6.8	1G255.	NH2GG69V63-1	N229759	430	1
2	690	80	8.3	1G259.	NH2GG69V80-1	P229760	430	1
2	690	100	10.7	1G263.	NH2GG69V100-1	Q229761	430	1
2	690	125	12.2	1G265.	NH2GG69V125-1	R229762	430	1
2	690	160	15.0	1G269.	NH2GG69V160-1	S229763	430	1
2	690	200	18.5	1G271.	NH2GG69V200-1	T229764	430	1
2	690	224	19.2	1G273.	NH2GG69V224-1	V229765	430	1
2	690	250	20.6	1G275.	NH2GG69V250-1	D233729	430	1
2	690	300	21.0	1G277.	NH2GG69V300-1	X229767	430	1
2	690	315	25.0	1G279.	NH2GG69V315-1	Y229768	650	1
2	690	355	31.5	1G281.	NH2GG69V355-1	Z229769	650	1
3	690	250	21.1	1G375.	NH3GG69V250-1	A229770	650	1
3	690	300	22.6	1G377.	NH3GG69V300-1	B229771	1010	1
3	690	315	25.0	1G379.	NH3GG69V315-1	C229772	1010	1
3	690	355	32.0	1G381.	NH3GG69V355-1	D229773	1010	1
3	690	400	34.0	1G383.	NH3GG69V400-1	E229774	1010	1
3	690	425	34.0	1G385.	NH3GG69V425-1	F229775	1010	1

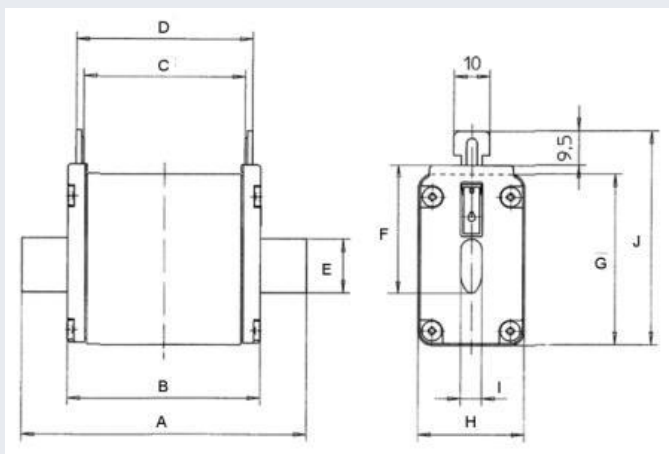
IEC Low Voltage General Purpose Protection

NH fuse-links Plain blades

Sizes 000 to 3 gG 690VAC SGL from 2 to 425A



Dimensions (mm)



Size	Nominal Current (A)	A	B	C	D	E	F	G	H	I	J
000	2-35	79	53.8	45	49	15	35.8	40.5	21	6	47.8
00	40-125	79	53.8	45	49	15	35.8	40.5	30	6	47.8
1	35-200	135	75	64	68	20	40	51	39	6	52
2	32-200	150	75	64	68	26	48	51	39	6	60
2	250-315	150	75	64	68	26	48	60	46	6	60
3	250-315	150	73.4	63	68	26	60	60	51	6	83.5
3	350-425	150	73.4	63	68	33	60	74	70	6	86

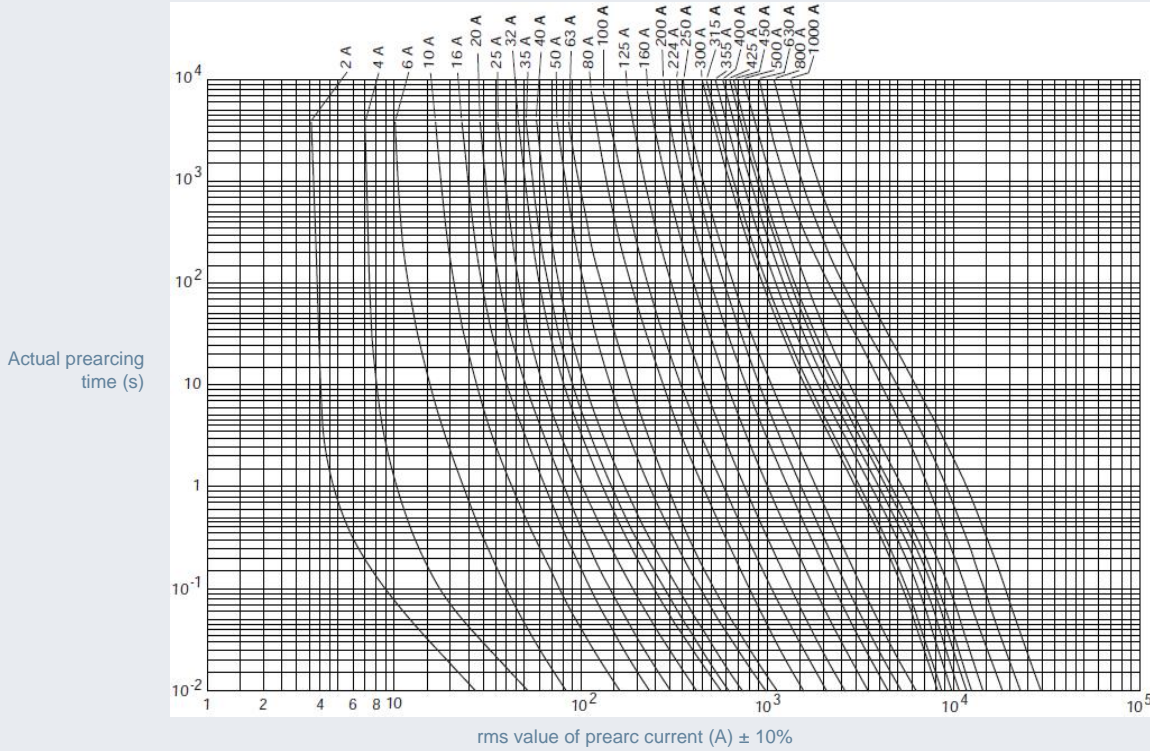
IEC Low Voltage General Purpose Protection

NH fuse-links Plain blades

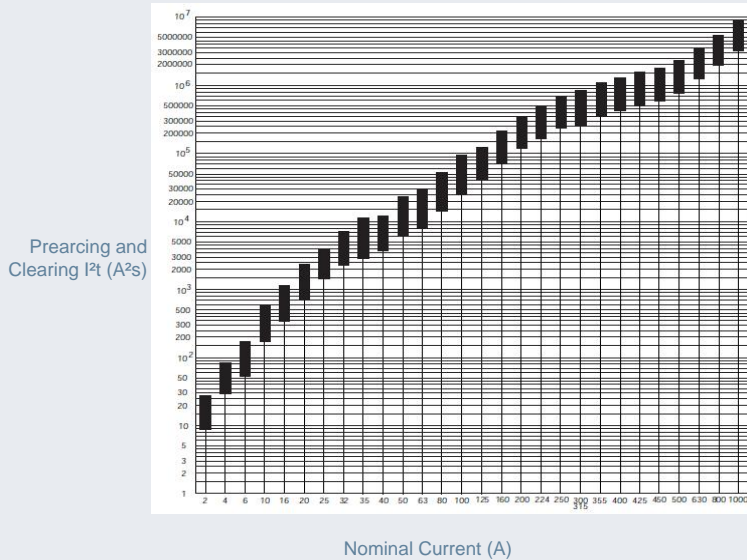
Sizes 000 to 3 gG 690VAC SGL from 2 to 425A



Time current characteristics



Characteristics I^2t



Peak let thru characteristics

