

TECHNICAL DATASHEET

Stainless Steel Encoders AC 61 - CANlayer2



Version AC 61 with bus cover

- Compact design
- Protection class IP67
- High corrosion resistance
- Robust design
- Resolution up to 26 Bit (14 Bit ST, 12 Bit MT)
- Versions with cable or demountable bus cover
- Applications: packaging machine for food and beverage, ship equipment (e.g. cranes, winches, cable laying ships), offshore applications



GENERAL INFORMATION

The absolute stainless steel encoders are available in the Versions AC 59 and AC 61.

- AC 59: drawn stainless steel housing, only together with cable outlet, no access to control elements
- AC 61: machined housing, possible with cable or bus cover, access to control elements (DIP switch, Reset switch)

TECHNICAL DATA mechanical

Housing diameter	61.5 mm
Shaft diameter	9.52 mm / 10 mm (Solid shaft)
Flange (Mounting of housing)	Square flange 63.5 mm
Protection class shaft input (EN 60529)	IP67
Protection class housing (EN 60529)	IP67
Shaft load axial / radial	40 N / 60 N
Max. speed	max. 6000 rpm (continuous), max. 10 000 rpm (short term)
Torque	≤ 1 Ncm
Moment of inertia	approx. 20 gcm ²
Vibration resistance (DIN EN 60068-2-6)	100 m/s ² (10 ... 500 Hz)
Shock resistance (DIN EN 60068-2-27)	1000 m/s ² (6 ms)
Operating temperature	-40 °C ... +85 °C
Storage temperature	-40 °C ... +85 °C
Material shaft	Stainless Steel
Material housing	Stainless Steel
Weight	approx. 980 g with 1.5 m cable / 1180 g with bus cover
Connection	Cable, axial or radial Bus cover with 3 sealed cable exits

TECHNICAL DATA electrical

General design	as per DIN EN 61010-1, protection class III, contamination level 2, overvoltage class II
Supply voltage	DC 10-30 V
Max. current w/o load	220 mA (ST), 250 mA (MT)
EMC	EN 61326: Class A
Resolution singleturn	10 - 14 Bit

TECHNICAL DATASHEET

Stainless Steel Encoders AC 61 - CANlayer2

TECHNICAL DATA electrical (continued)

Resolution multiturn	12 Bit
Output code	Binary
Linearity	$\pm \frac{1}{2}$ LSB (± 1 LSB for resolution 13, 14, 25, 26 Bit)
Profile/ protocol	CAN 2.0 A
Programmable	Direction, Limit values
Baud rate	set via DIP switches within a range of 10 through 1000 Kbit/s
Bus termination resistor	set via DIP switches
Updating of values	every millisecond
Basic identifier	set via DIP switches

ELECTRICAL CONNECTIONS 12 pole / cable

TPE cable	Cable pairs	Signal
yellow	Pair 1	CAN in+
green		CAN in -
pink	Pair 2	CAN out+
grey		CAN out -
blue		CAN GND in
brown		CAN GND out
white	Pair 3	UB in
brown		0 V in
screen	screen	screen

ELECTRICAL CONNECTIONS Bus cover with 3 sealed cable exits

Connecting block KL 1 (10 pole)	
No.	Signal name
1	UB in (DC 10-30V)
2	0 V in
3	CAN in - (dominant L)
4	CAN in + (dominant H)
5	CAN GND in
6	CAN GND out
7	CAN out + (dominant H)
8	CAN out - (dominant L)
9	0 V out
10	UB out (DC 10-30V)

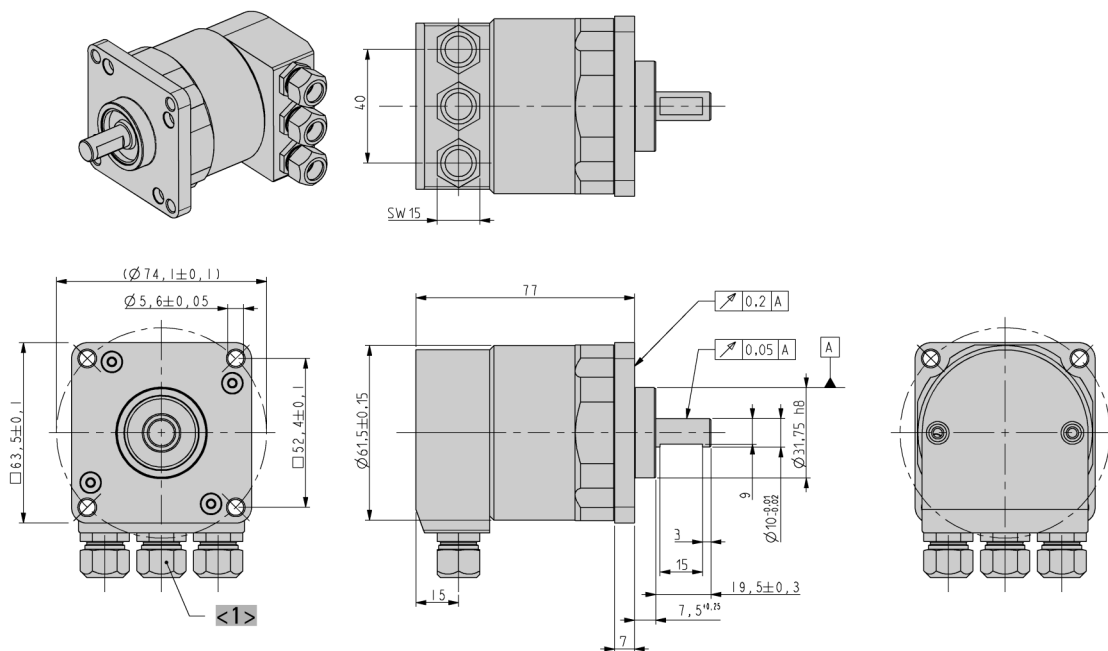
TECHNICAL DATASHEET

Stainless Steel Encoders AC 61 - CANlayer2

DIMENSIONED DRAWINGS

AC 61 Connection cable "Z"

Interface: Profibus, CANopen, CANlayer2, DeviceNet, Interbus

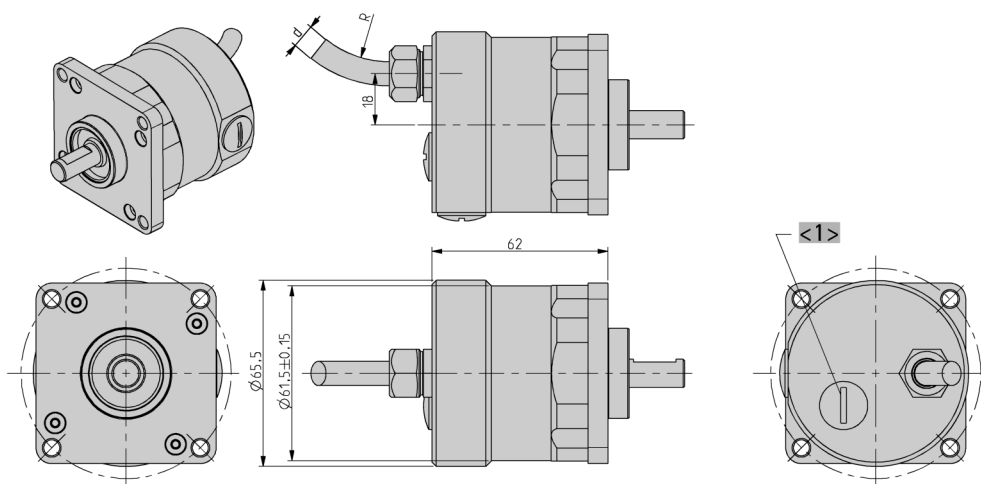


<1> Obsolete with DeviceNet

Dimensions in mm

AC 61 Connection cable "A"

Interface: CANopen, CANlayer2



<1> Settings

Cable bending radius R for flexible installation $\geq 15 \times$ cable diameter

Cable bending radius R for fixed installation $\geq 7.5 \times$ cable diameter

Cable \varnothing d BiSS/SSI/SSI-P: $7,1^{+1,2}$

Cable \varnothing d ST-P: $7,8^{+0,9}$

Cable \varnothing d MT-P: $9,3^{+1,3}$

Cable \varnothing d Fieldbus: $7,1^{+1,2}$

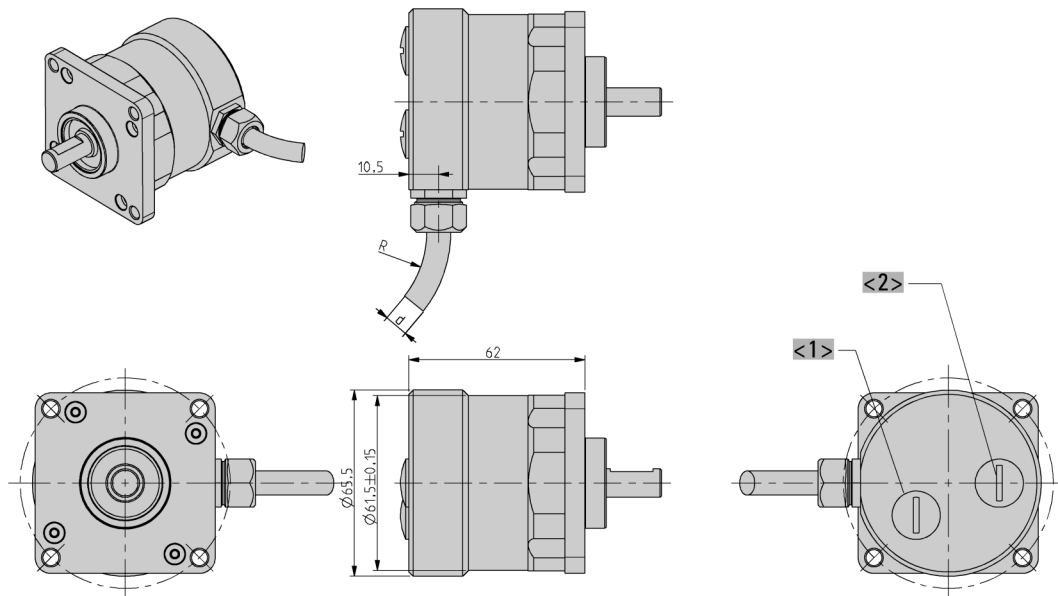
Dimensions in mm

TECHNICAL DATASHEET

Stainless Steel Encoders AC 61 - CANlayer2

DIMENSIONED DRAWINGS (continued)

AC 61 Connection cable "B"



<1> Settings CAN/ CANopen
 <2> Preset BiSS, SSI, SSI-P, MT-Parallel
 Cable bending radius R for flexible installation $\geq 15 \times$ cable diameter
 Cable bending radius R for fixed installation $\geq 7.5 \times$ cable diameter

Cable \varnothing d BiSS/SSI/SSI-P: $7,1^{+1,2}$
 Cable \varnothing d ST-P: $7,8^{+0,9}$
 Cable \varnothing d MT-P: $9,3^{+1,3}$
 Cable \varnothing d Fieldbus: $7,1^{+1,2}$

Dimensions in mm

ORDERING INFORMATION

Type	Resolution	Supply voltage	Flange, Protection, Shaft	Interface	Connection
<input type="checkbox"/>	<input type="checkbox"/>	<input type="checkbox"/>	<input type="checkbox"/>	<input type="checkbox"/>	<input type="checkbox"/>
AC61	0010 10 Bit ST 0012 12 Bit ST 0013 13 Bit ST 0014 14 Bit ST 1212 12 Bit MT + 12 Bit ST 1213 12 Bit MT + 13 Bit ST 1214 12 Bit MT + 14 Bit ST	E DC 10 - 30 V	0.76 Square, IP67, 9.52 mm 0.72 Square, IP67, 10 mm	CL CANLayer2	A Cable, axial B Cable, radial Z Bus cover with 3 sealed cable exits

TECHNICAL DATASHEET

Stainless Steel Encoders AC 61 - CANlayer2

ORDERING INFORMATION Selection of cable length

Versions with cable outlet (connection A, B, E or F) are available with various lengths of cable. To order your desired cable length, please add the respective code to the end of your ordering code. Further cable lengths on request.

Code	Cable length
without code	1.5 m
-D0	3 m
-F0	5 m
-K0	10 m
-P0	15 m
-U0	20 m
-V0	25 m

TECHNICAL DATASHEET

Stainless Steel Encoders AC 61 - CANlayer2 Accessories

FLEXIBLE COUPLINGS



Bellows coupling



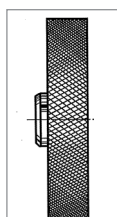
Helical coupling



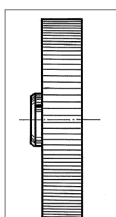
Isolated disk coupling

		Ordering code
Bellows coupling	10 mm / 10 mm	3 520 037
Bellows coupling	8 mm / 10 mm	3 520 077
Helical coupling 25/32	6 mm / 10 mm	3 520 066
Helical coupling 25/32	10 mm / 12 mm	3 520 065
Helical coupling 25/32	10 mm / 10 mm	3 520 074
Isolated disk coupling	6 mm / 10 mm	3 520 082
Isolated disk coupling	10 mm / 10 mm	3 520 088

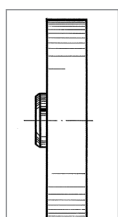
MEASURING WHEELS



Tread 2 + 3



Tread 4



Tread 6

Tread 2 B

with glued-on rubber profile B = low-wear rubber surface with good grip (white)
Applications such as paper and cardboard, measuring cables, nongreasy metals, fleece, undressed or surface-treated wood, soft and hard plastics

Tread 3

vulcanized rubber surface with parallel knurl
Applications such as rubber, leather, fabrics, flooring and glass

Tread 4

Aluminum with parallel knurl
Applications such as rubber, soft plastics, wood with rough surface, and to a limited extent for fabrics

Tread 6

plastic surface
Applications such as wire, greasy metals and steel sections

Material	Bore diameter (mm) fitting to encoder shaft	Circumference	Tread	Width of bearing surface	Ordering code
Aluminum	10 mm	0.2 m	2 B	12 mm	0 601 049
Aluminum	10 mm	0.5 m	2 B	25 mm	0 601 151
Aluminum	10 mm	0.5 m	3	25 mm	0 601 156
Aluminum	12 mm	0.5 m	3	25 mm	0 601 159
Aluminum	10 mm	0.5 m	6	25 mm	0 601 163
Aluminum	10 mm	0.5 yd	4	25 mm	0 601 157