

Environmental Sensors Humidity / Temperature Transmitters



- Excellent price/performance ratio
- Wettable
- Long term stable
- Traceable calibration
- Duct mounting
- Membrane filter
- HVAC applications
- CE, RoHS

Product Description

These transmitters are the ideal solution for accurate measurement of relative humidity and temperature at a reasonable price in HVAC applications. The appropriate

filter cap enables employment in heavily polluted environment. The high quality humidity sensors HC101 guarantee excellent long term stability and resistance against

chemical pollutants. Their excellent reproducibility allows a simple low-cost one-point calibration for very good accuracy over the entire working range.

These transmitters are available for duct mounting, with current or voltage output signals.

Approvals



Ordering Key

CGESHTD V 2 L

Model _____
 Output _____
 Temperature sensor _____
 Probe Length _____
 Filter _____

Type Selection

Model	
CGESHTD	Humidity + Temperature
CGESHPTD	Humidity + Temperature passive
CGESTPD	Temperature passive

Output (Not for model CGESTPD)	
V	0-10V
A	4-20mA

Temperature Sensors (Not for model CGESHTD)	
1	Pt 100 DIN A
2	Pt 1000 DIN A

Probe Length	
S	50mm
L	200mm

General Data

Voltage Supply	0-10V 4-20mA	15-35VDC or 24VAC $\pm 20\%$ 10V + R _L x 20mA <U _v <35VDC
Current consumption	DC supply AC supply	typ. 8mA typ. 20mA _{eff}

Electromagnetic compatibility	EN 61000-6-1, EN 61000-6-3 EN 61326-1+A1+A2
Temperature ranges	-5...50°C (23...122°F)
working temperature	-25...60°C (-13...140°F)
storage temperature	

Measuring Values

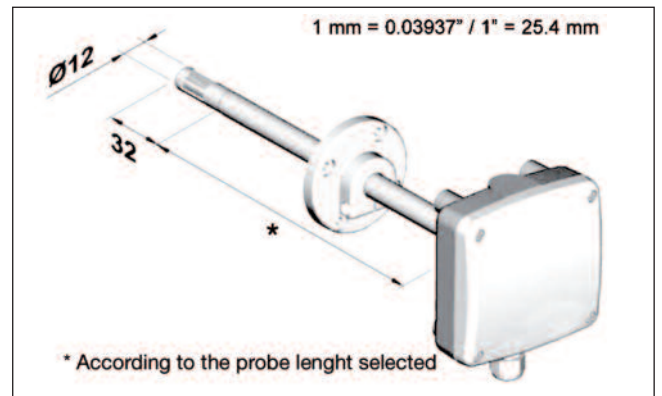
RELATIVE HUMIDITY	
Sensor	HC101
Output appropriate	0-10V 4-20mA
0...100%RH	-1mA <I _L <1mA R _L <500Ω (2 wire)
Working range	10...95%RH
Accuracy @ 20°C/68°F	±3%RH Traceable to intern. standards, administrated by NIST, PTB, BEV...
Temperature dependence @ 45%RH	typ. -0.05%RH/°C (-0.03% RH/°F)

TEMPERATURE	
Sensor	Pt1000 (class A, DIN EN 60751)
Output appropriate	0-10V 4-20mA
0...50°C/32...122°F	-1mA <I _L <1mA R _L <500Ω (2 wire)
Accuracy @ 20°C/68°F	±0.3°C/±0.5°F

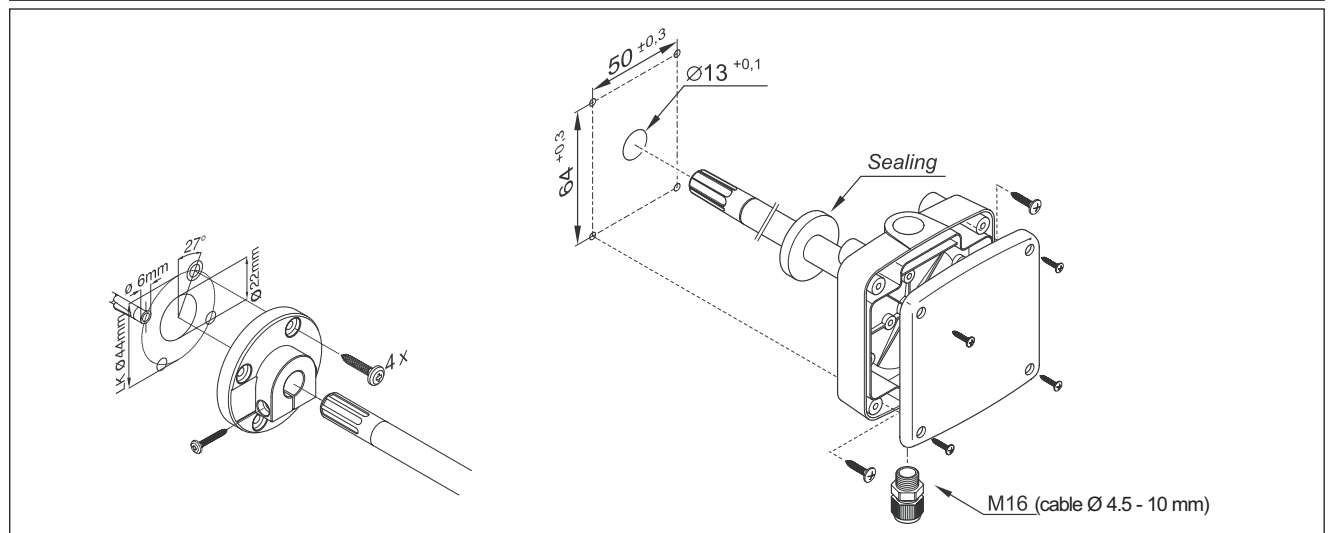
Mechanical Data

Housing / protection class	Polycarbonate / IP65; Nema 4
Electrical connection	Screw terminals max. 1.5 mm ² (AWG 16)
Cable gland	M16 x 1.5 cable Ø4.5-10mm (0.18 - 0.39")
Sensor protection	Membrane filter

Dimensions



Mounting



Connection Diagram

