



NEW

Highest Reliability and Quality, Fastest return of Investment in string inverters category.

- Versatile matching: Monocrystal and Polycrystal solar modules on the same inverter driven by different MPPT.*
- Top level performance: 3MPPT, Wide MPPT voltage range, Max peak output power (+10%).
- Smart control for solar tracker: one stop solution (control components and software).

* Suited for crystalline module that grounding isn't required. For compatibility please contact OMRON sales representative.

Ordering information

Description	Applicable country	Order code
Photovoltaic Inverter	Italy, Spain, France, Germany, Czech Republic, Portugal, Greece (Only Mainland), Denmark, Turkey, Republic of South Africa	KP100L-OD-EU

Specifications

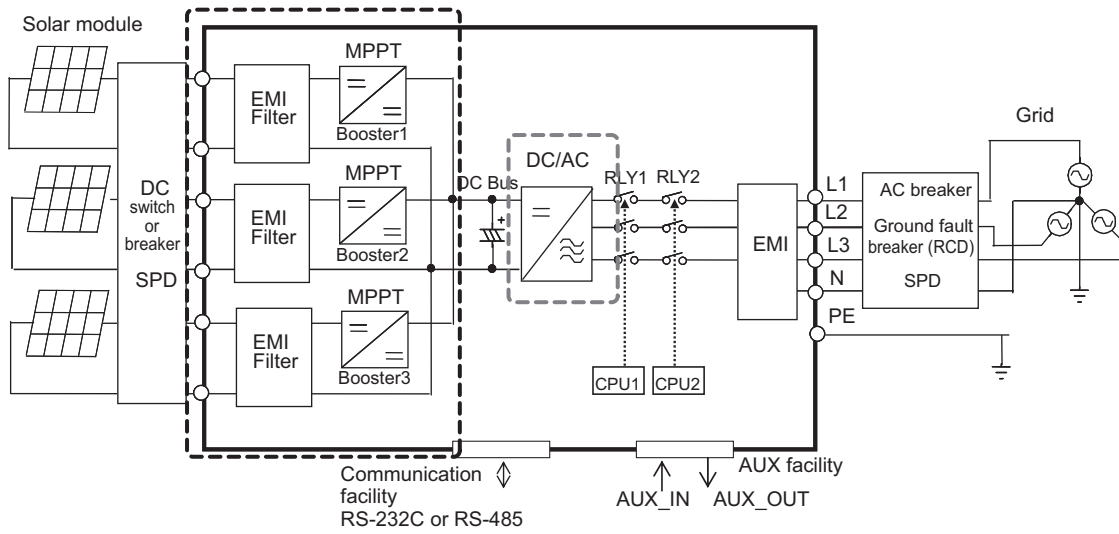
Item		KP100L-OD-EU
DC Input	Max. open-circuit voltage	850 VDC
	DC voltage range	200 to 850 VDC
	MPPT voltage range	225 to 850 VDC
	Normal voltage	585 VDC
	Number of MPPT	3
	Type of DC terminals	MC4
	Max. current per one pair of DC terminals	13 ADC
	Max. power per one pair of DC terminals	5,500 W
AC Output	Nominal power	10,000W
	Peak power (10 minutes)	11,000W
	Nominal Output Current	14.5 A
	Output voltage	230/400 VAC
	Nominal frequency	50 Hz
	Output frequency range	45 to 55 Hz
	THD of output current	4% or less
	Power factor (cos phi)	1 (typical) (at output power 10 kW)
Performance	Wiring sytem	3-phase 4-wire
	Max. efficiency	97.5%
	European efficiency	97.1%
	Standby consumption power	1 W or less
Certifications	Night time consumption power	1 W or less
	EMC	EN 61000-6-2, EN61000-6-3, EN61000-3-2
	Low voltage regulation	EN50178
	German regulation	VDE0126-1-1
	Spanish regulation	RD1663/2000
	Italian regulation	DK5940 Ed2.2
Other	Operation temperature range	-20 to + 60°C
	Tolerable relative humidity	4 to 100%, non-condensing
	Degree of protection	Housing:IP65 (acc. To DIN EN60529)
	Cooling	Forced ventilation
	Dimensions (W × H × D)	455 × 700 × 270 mm
	Weight	Approx. 42 kg
	Display	LCD (16 characters, 2 lines)
	Data transmission	RS-232C/RS-485
	Warranty	5 years (Option:10 years)

ZCC Circuit

Top Performance

The KP100L has 3 individual MPP (Maxiam Power Point Tracker) decices and ensures high power efficiency and maximum power output at all times. Key to Omron's

highly efficient technology is a special ZCC circuit that was developed together with a leading Japanese university.



* Inside the black bold line shows Inverter.
 - - - shows 3 MPPT
 - - - include original circuit design, ZCC circuit.

Dimensions

(Unit: mm)

(OutLook)

